

Standalone Slide Ladder

PLATFORM HEIGHT 90 CM

ART. NR. 7890xxx



SAFETY INSTRUCTIONS

1. please keep this instruction sheet safely for future reference.
2. please do not modify the product or the assembly details in any way. Modifications will affect the structural integrity and replacement parts will be at the buyer's expense. Inappropriate use or faulty application of the product are explicitly forbidden and absolve the manufacturer of all liability. This product needs to be assembled by an adult before use.
3. The use of the item is allowed only under continuous supervision by an adult. The product is suitable for individuals weighing up to 70 kg. The product is not suitable for children under 36 months, due to a lack of extra safety precautions and taking into account the limited mental capacities of toddlers.
4. This product meets all security aspects of the European standard EN71-1, EN71-2, EN71-3 and EN 71-8. It is only suitable for family domestic use, both indoors and outdoors.
5. When mounting or assembling the product attention should be given to the minimum required distance between the product and eventual obstacles: walls, fencing,... An impact area like specified in FIG I around the slide must be guaranteed. Obstacles must be at least 2 m away from the equipment. The ground must be level in this area.
6. In this safety area no hard, angular or pointed objects should be present. The surface underneath the product should be flat and shockabsorbing. The product must not be placed on asphalt, concrete or any other hard surface. We advise the removal and storage of all accessories during the winter because the characteristics of the soil (when frozen) are not suitable for safe play.
7. To avoid slides heating up, do not place them facing the sun. In warm weather, check that the slides is not too hot.
8. The ground anchors supplied prevent the platform ladder from tipping over or moving. If the ground is soft you need to pour concrete around the ground anchors, Make sure that the concrete does not emerge above the level of the play area and has rounded corners. If necessary cover visible concrete with soil so that the complete ground level is flat again.
9. All pieces should be checked regularly. For replacement material and expansion of the playground equipment, please contact the supplier. Consequently safety will be guaranteed.

INSPECTION AND MAINTENANCE

The frequency of inspection and maintenance will vary with the type of equipment or materials used or other factors (e.g. heavy use, levels of vandalism, coastal location, air pollution, age of equipment, ..). If these checks are not carried out the activity toy could overturn or otherwise become a hazard. It is of particular importance that the maintenance instructions be followed at the beginning of each season as well as at regular intervals during the usage season.

Routine visual inspection(weekly to monthly)

- Always check that the bolts and nuts are securely fastened.
- Check the shock absorbing surface for objects that don't belong there.
- Check for missing parts.
- Check the equipment ground clearances.

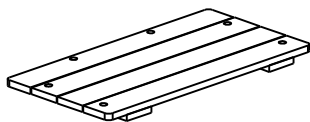
Operational inspection (1 to 3 months)

- Check the stability of the construction.
- Check every part for excessive wear and replace when necessary.

Annual inspection (1 to 2 times per year)

- Check for rust and corrosion.
- Check every part for excessive wear and replace when necessary.

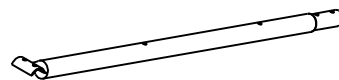
Parts list



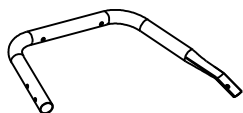
PART1×1



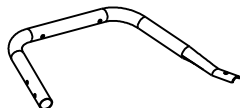
PART2×2



PART3×2



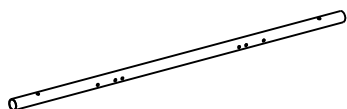
PART4×1



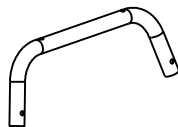
PART5×1



PART6×2



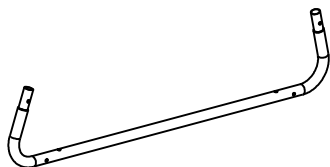
PART7×1



PART8×1



PART9×2



PART10×1



PART11×1



PART12×1



M6×45mm
PART13×10



M6×40mm
PART14×6



M6×65mm
PART15×4



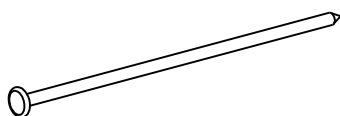
M6×35mm
PART13×8



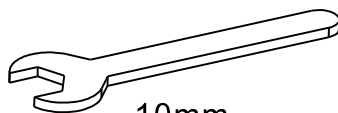
M6
PART17×56



M6
PART18×28



PART19×4



10mm
PART20×1



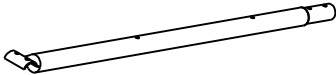
4mm
PART21×1



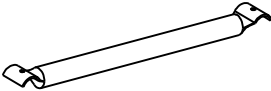
PART22×2

Assembly

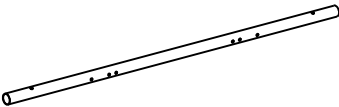
STEP 1



PART3×2



PART6×2



PART7×1



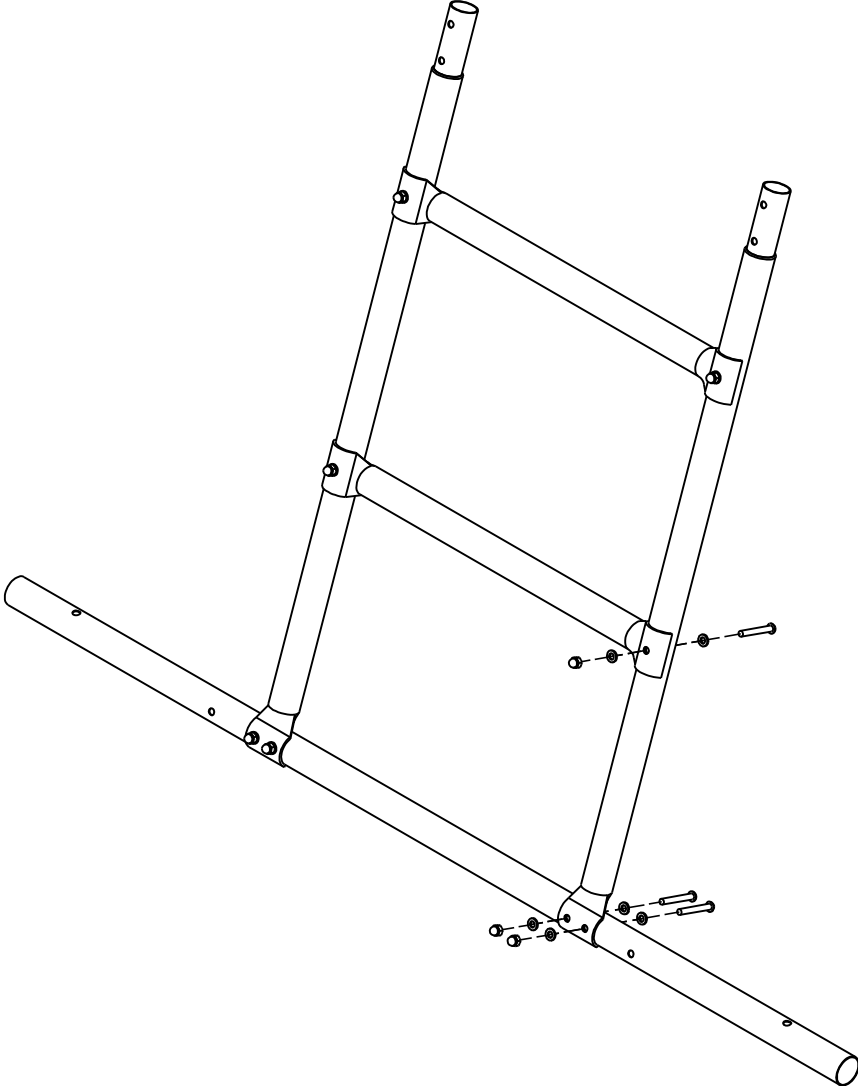
M6×45mm
PART13×8



M6
PART17×16



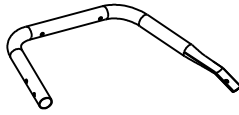
M6
PART18×8



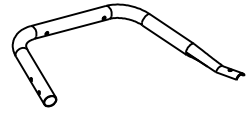
STEP 2



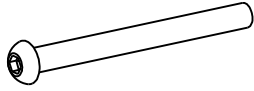
PART2×2



PART4×1



PART5×1



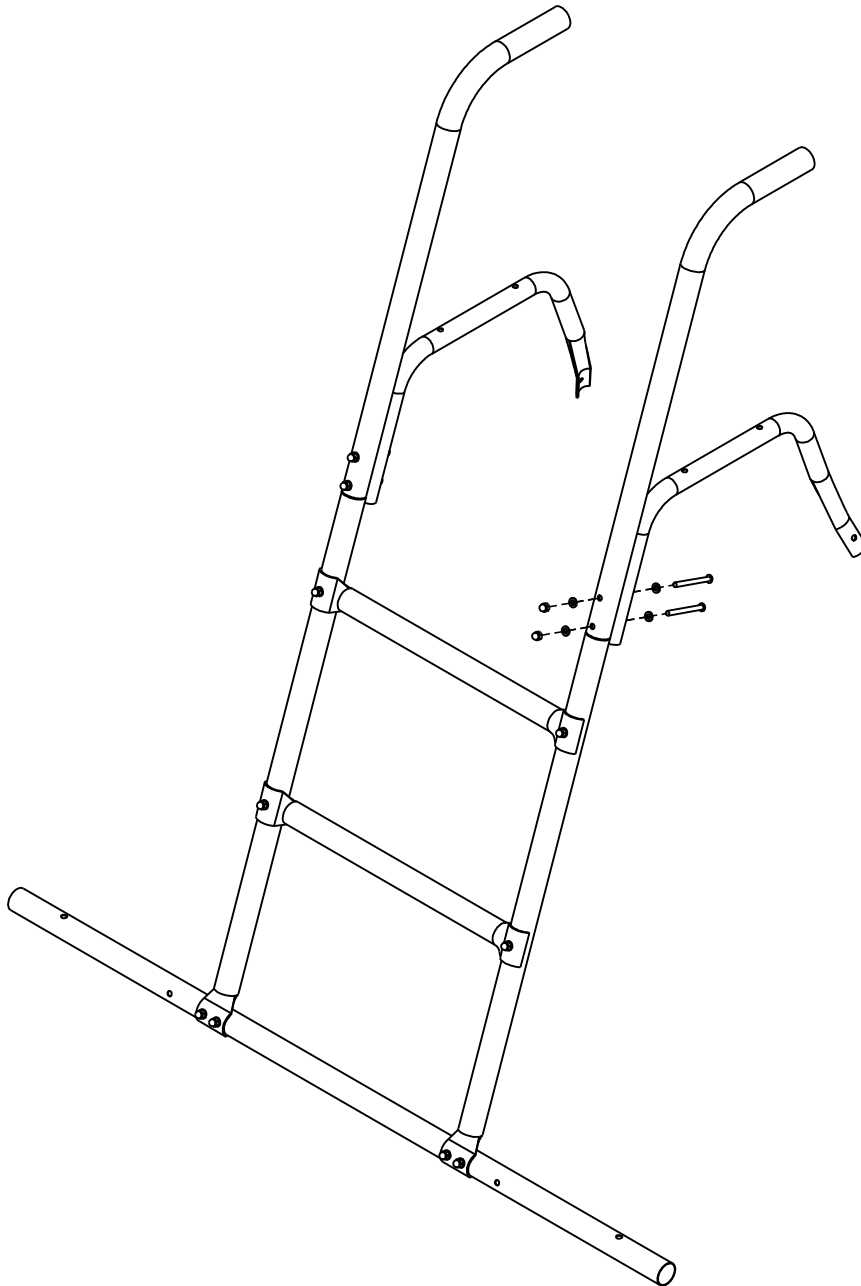
M6×65mm
PART15×4



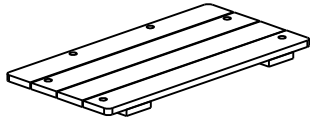
M6
PART17×8



M6
PART18×4



STEP 3



PART1×1



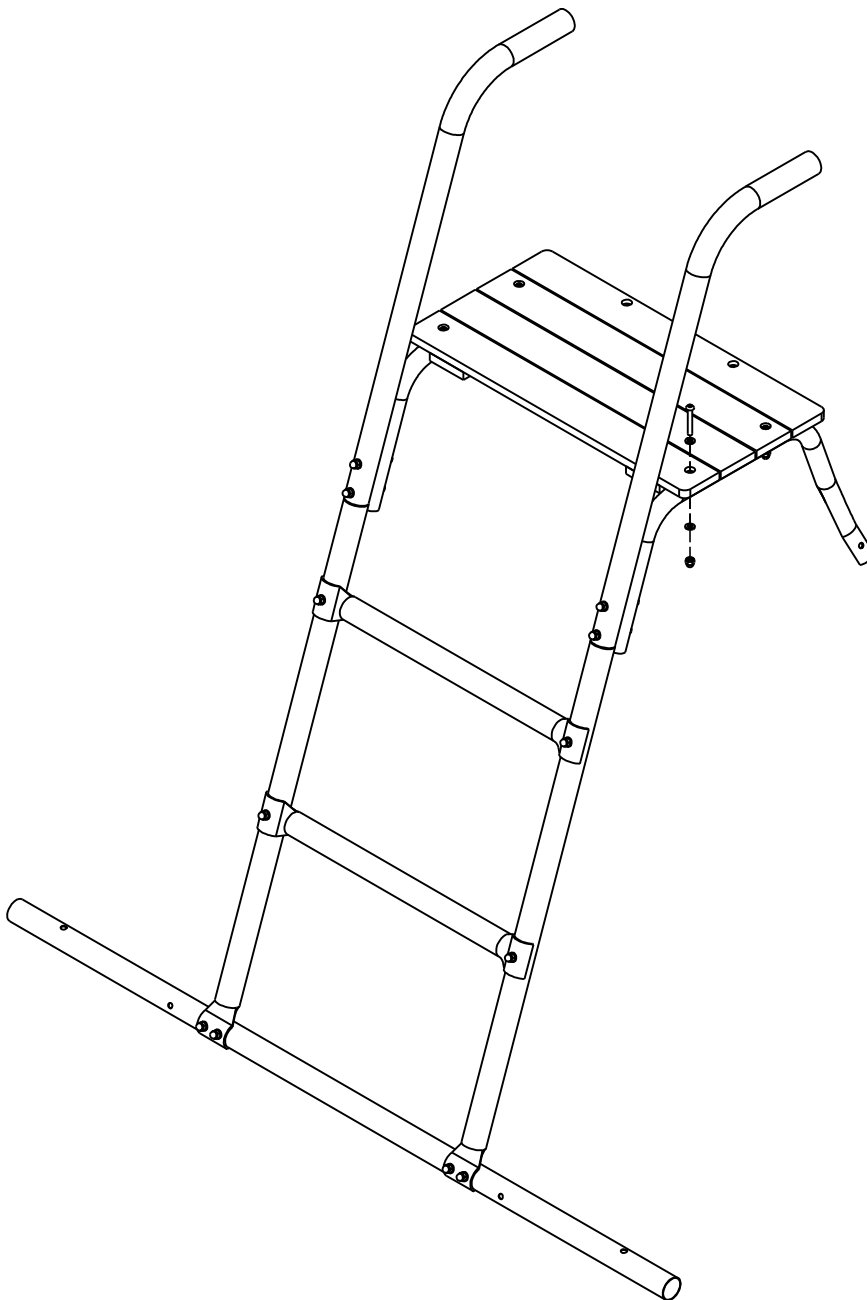
M6×40mm
PART14×4



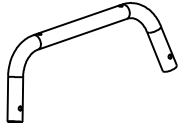
M6
PART17×8



M6
PART18×4



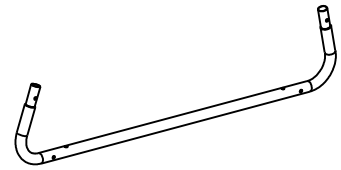
STEP 4



PART8×1



PART9×2



PART10×1



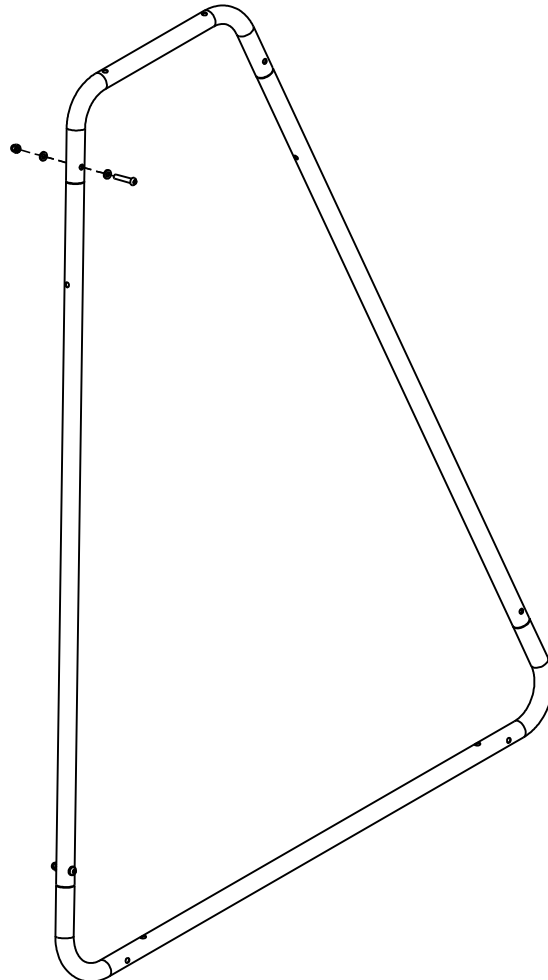
M6×35mm
PART13×4



M6
PART17×8



M6
PART18×4



STEP 5



M6×35mm
PART13×2



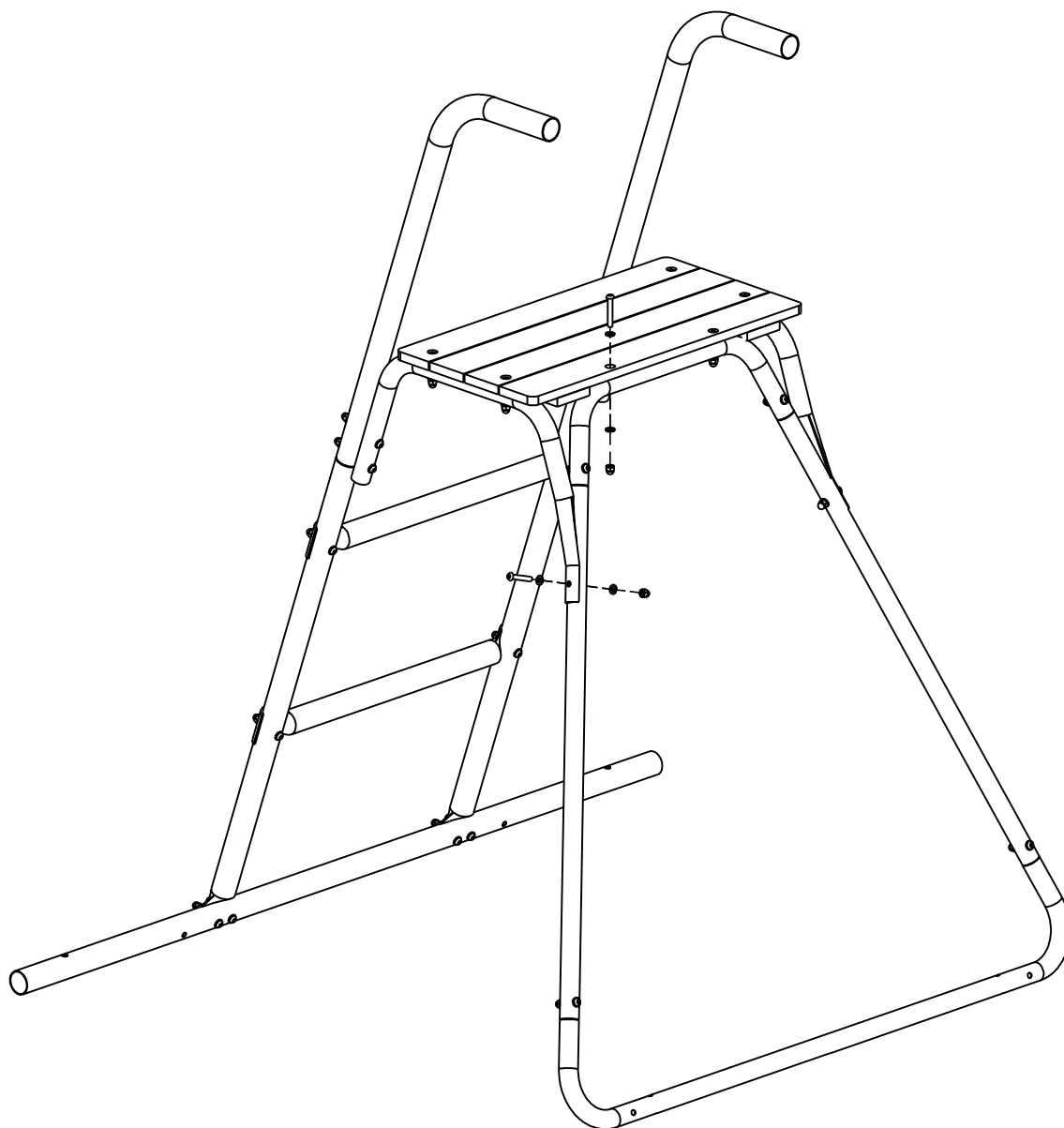
M6×40mm
PART14×2



M6
PART17×8



M6
PART18×4



STEP 6



PART11×1



PART12×1



M6×35mm
PART13×2



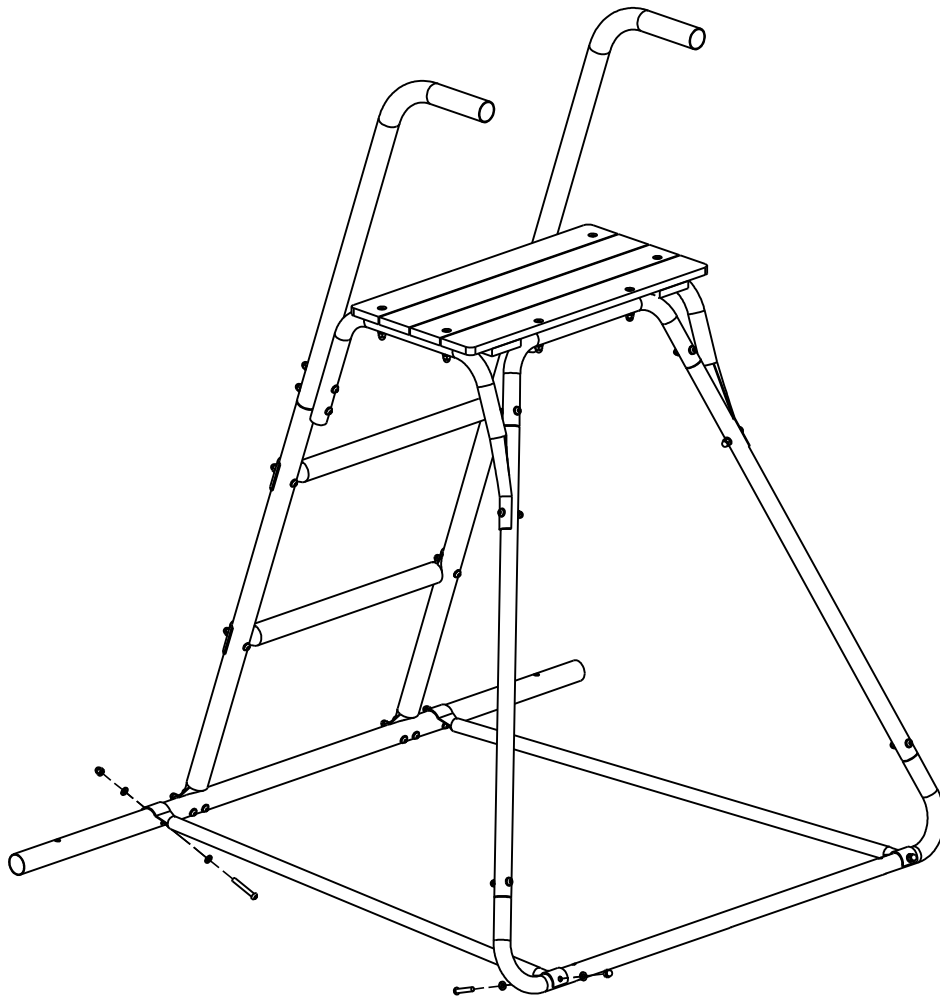
M6×45mm
PART14×2



M6
PART17×8

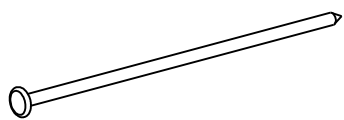


M6
PART18×4

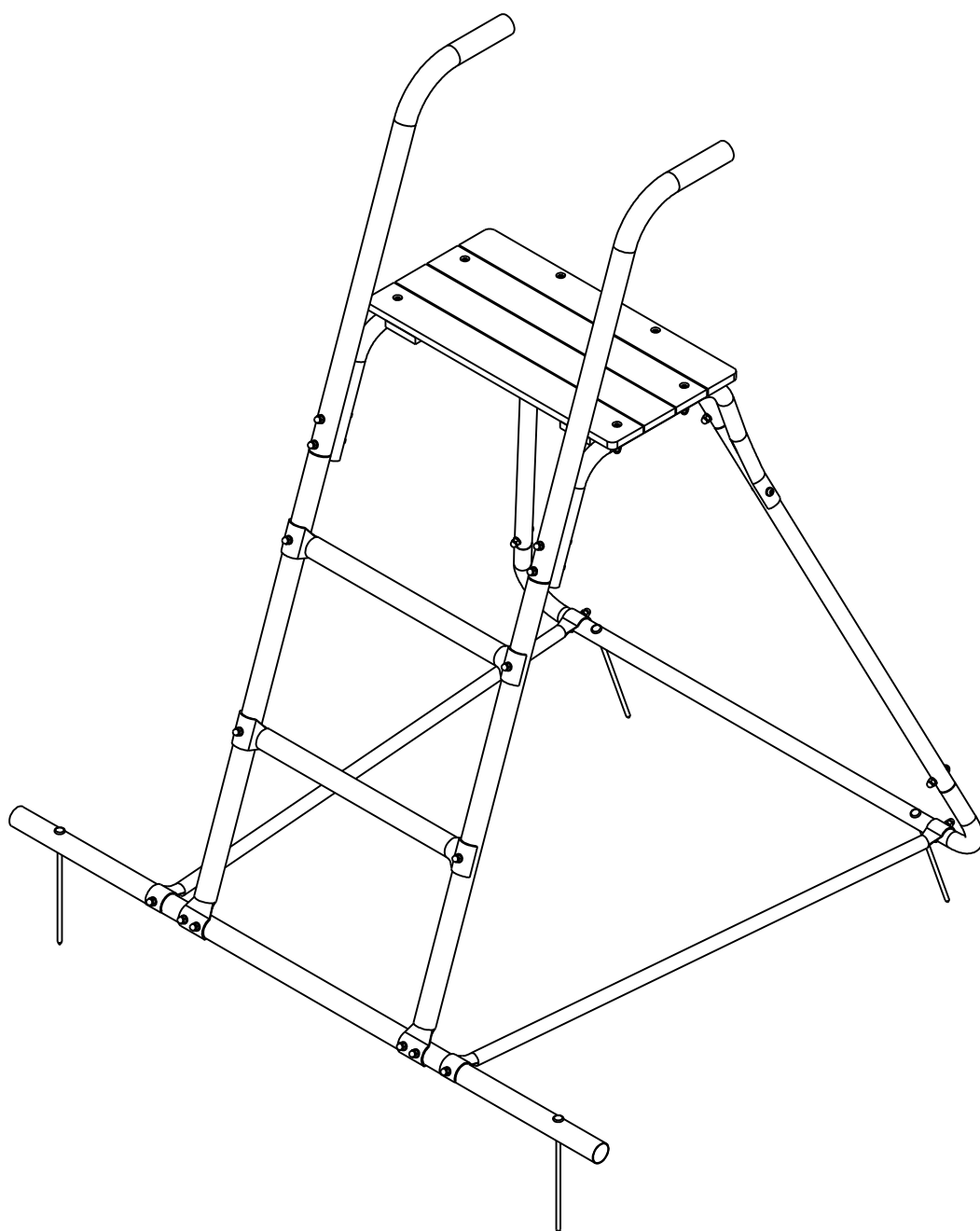


NOTE: Use the tool to lock all screws!

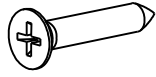
STEP 7



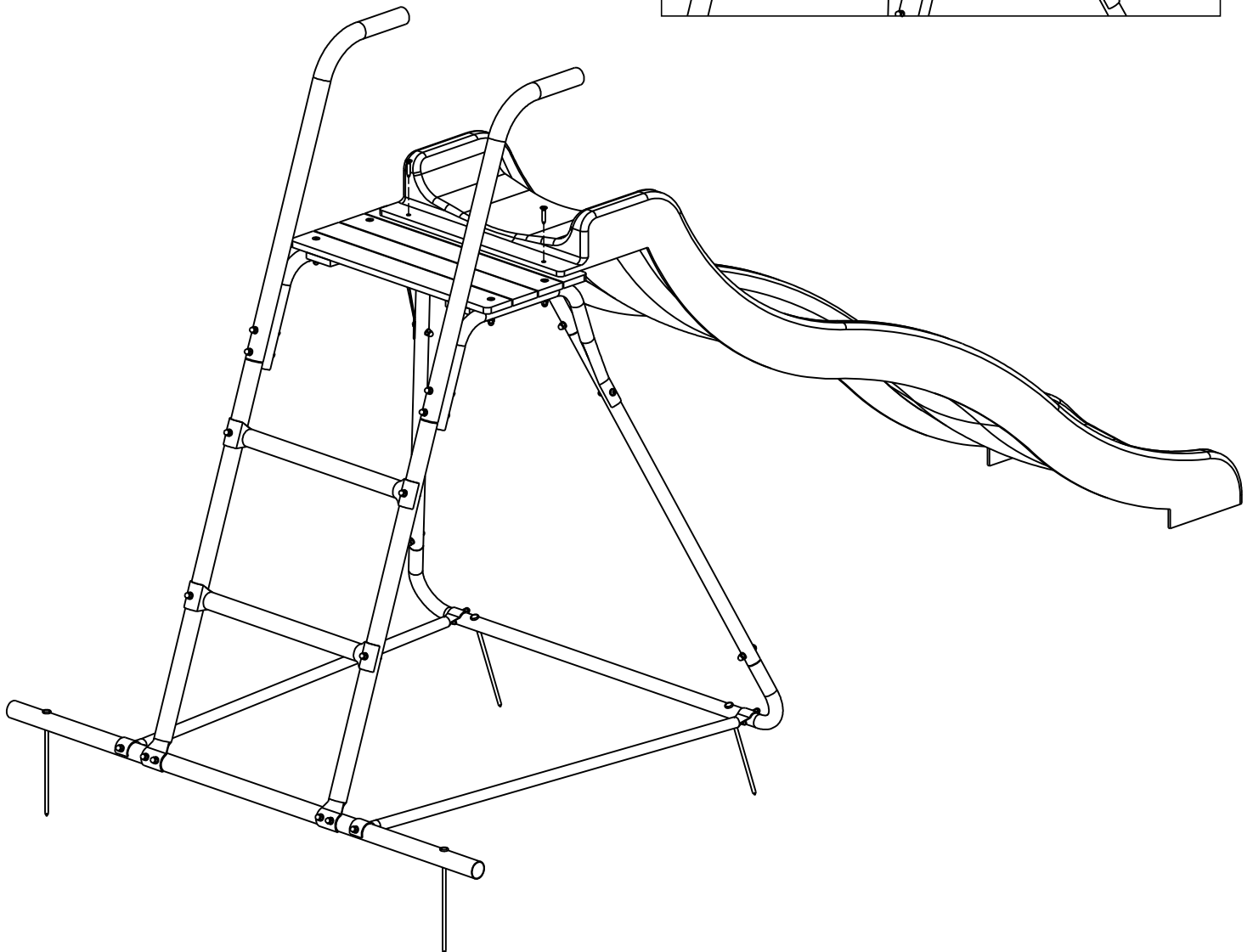
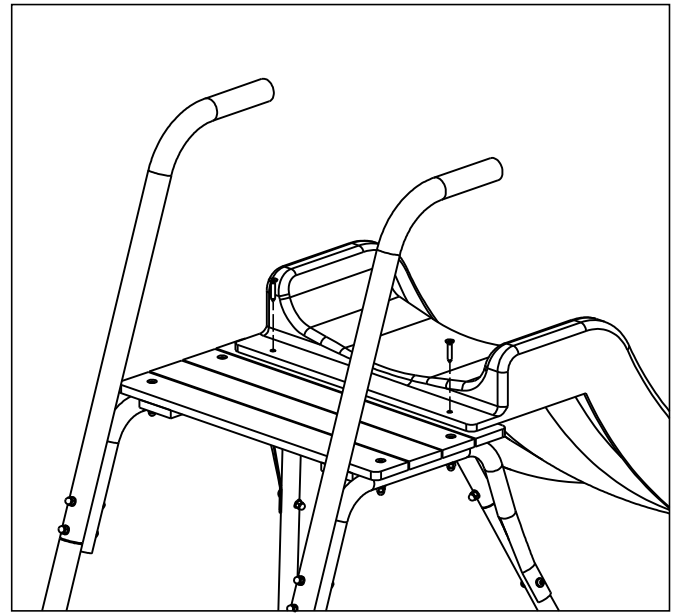
PART19×4



STEP 8



PART22×2



Tools required: Cross Head Screwdriver (Not Included)