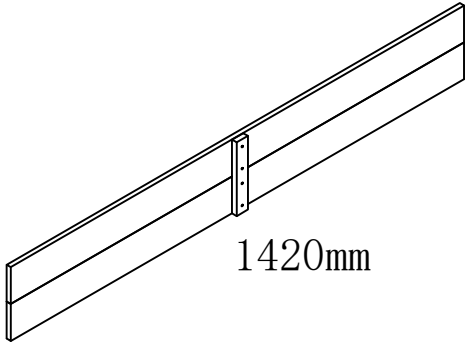
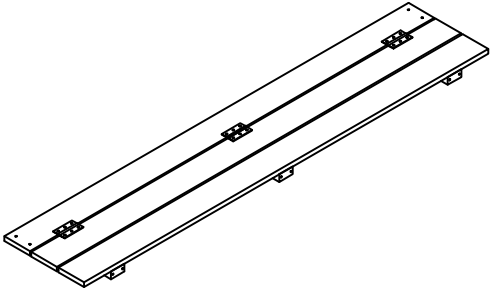
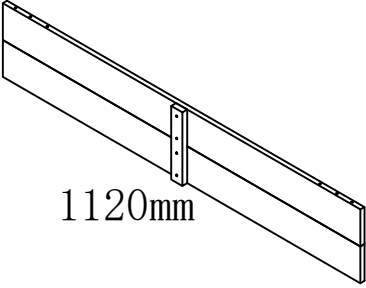
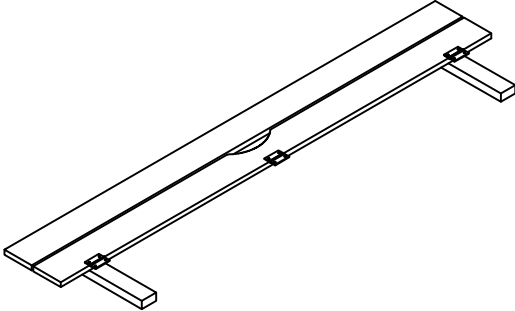
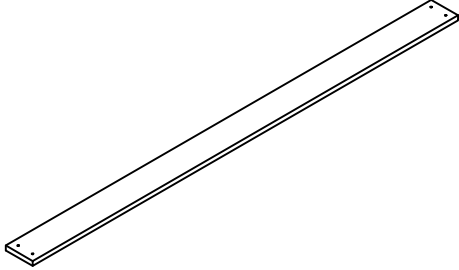
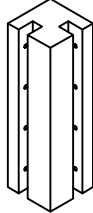
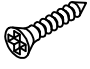
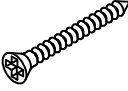


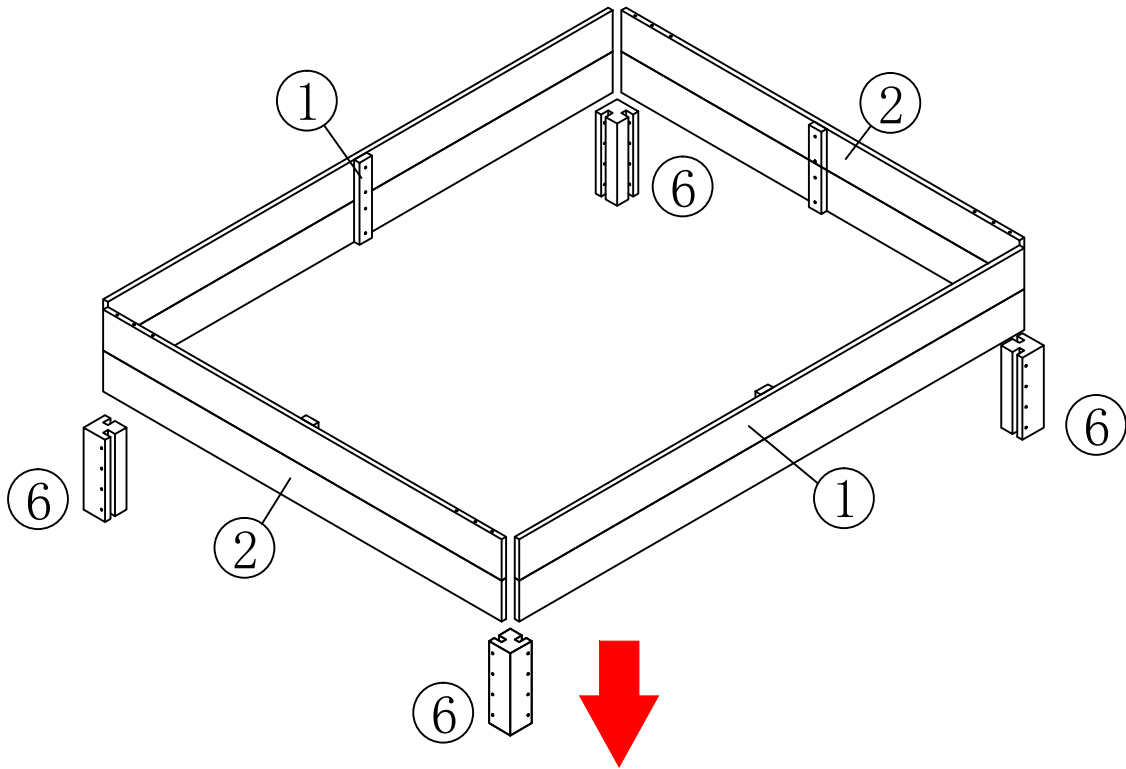
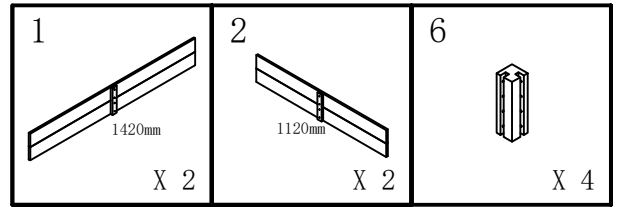
# Sandpit Robert Large

ART. NR. 7850041

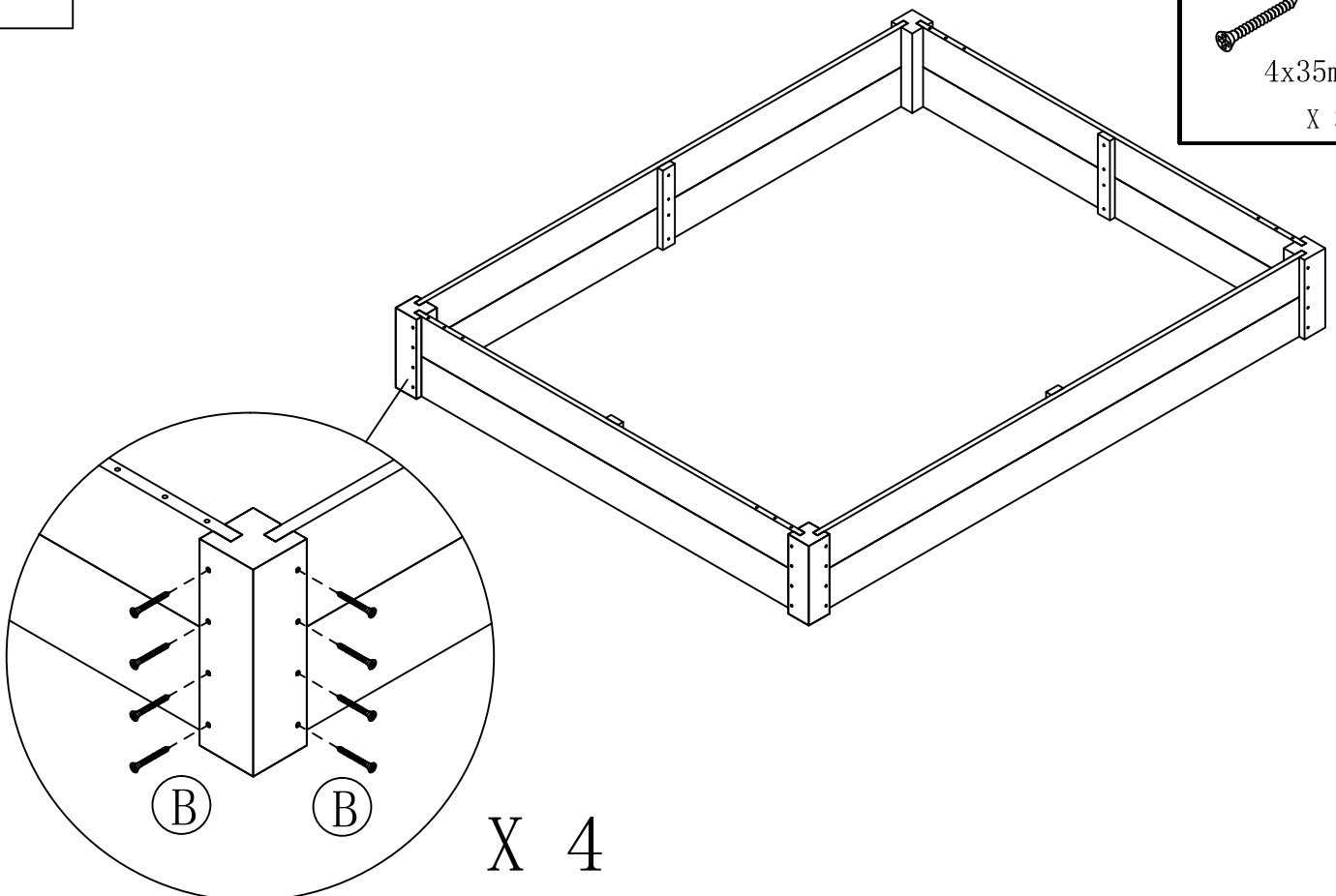
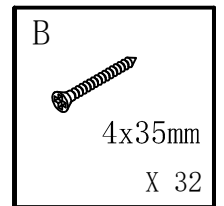


1	 <p>1420mm</p>	2PCS	4		2PCS
2	 <p>1120mm</p>	2PCS	5		2PCS
3		2PCS	6		4PCS
A	 <p>3x20mm</p>	12PCS	B	 <p>4x35mm</p>	48PCS

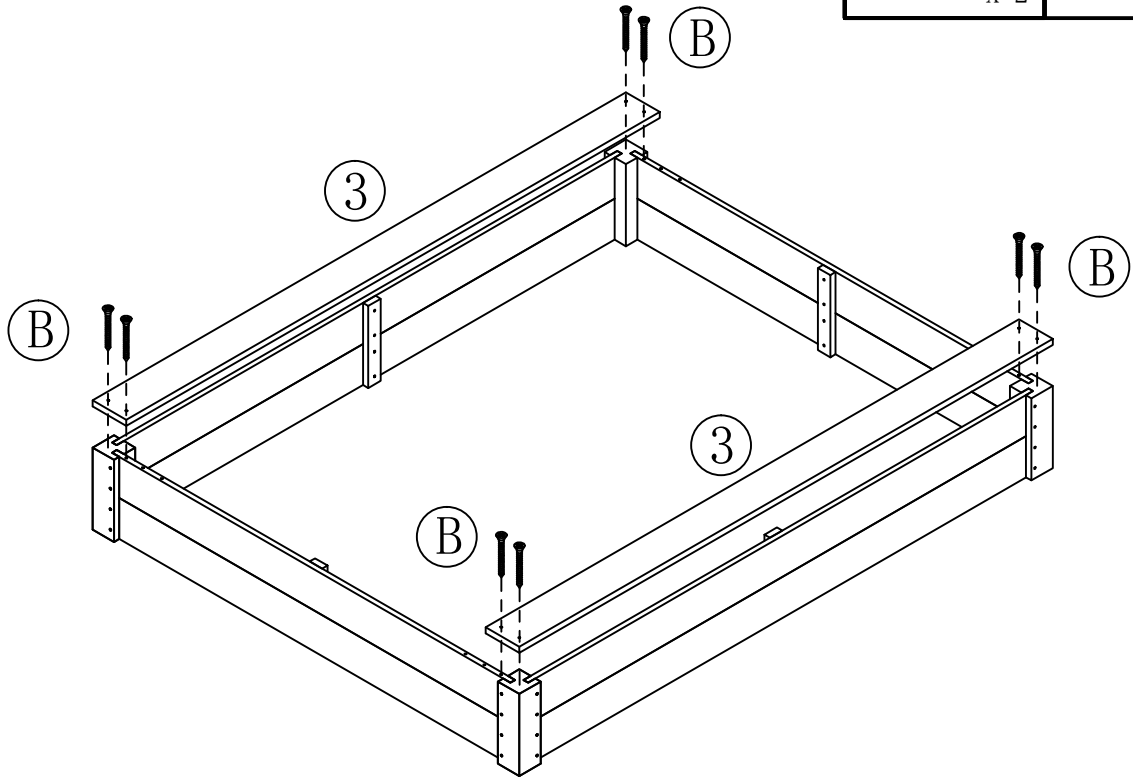
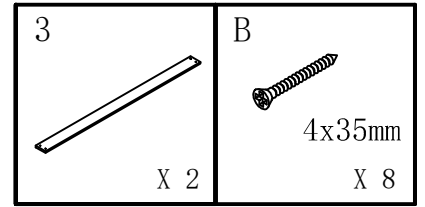
1



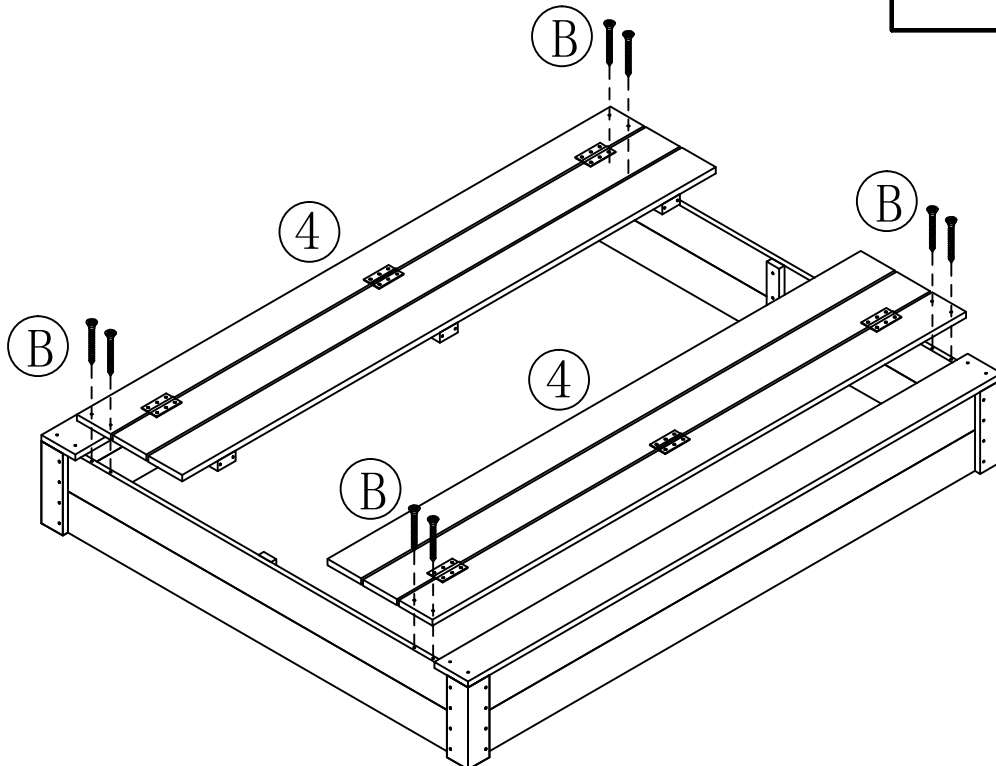
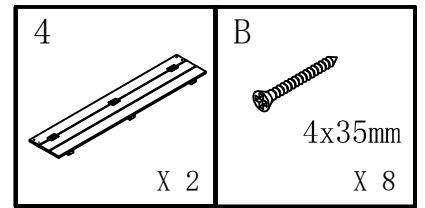
2



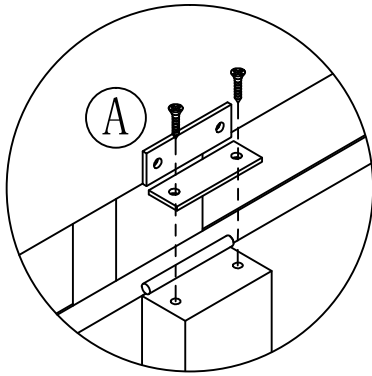
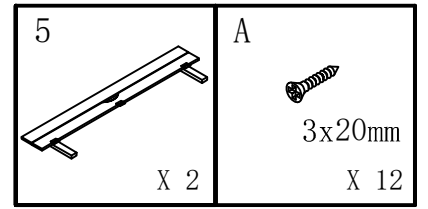
3



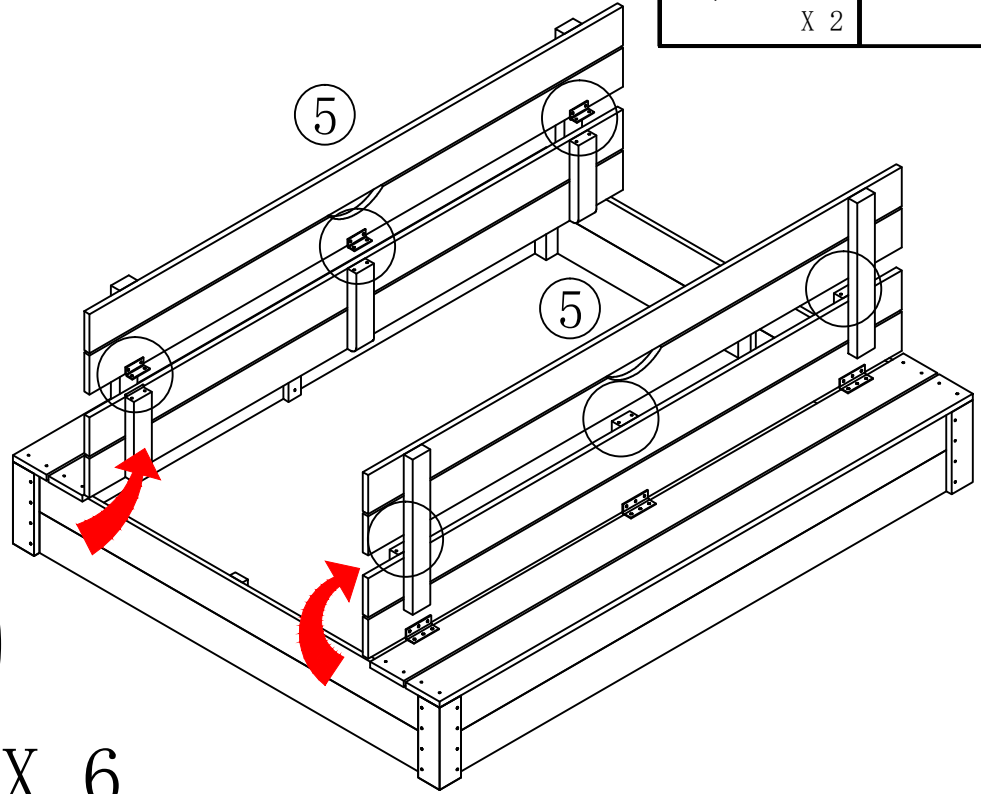
4



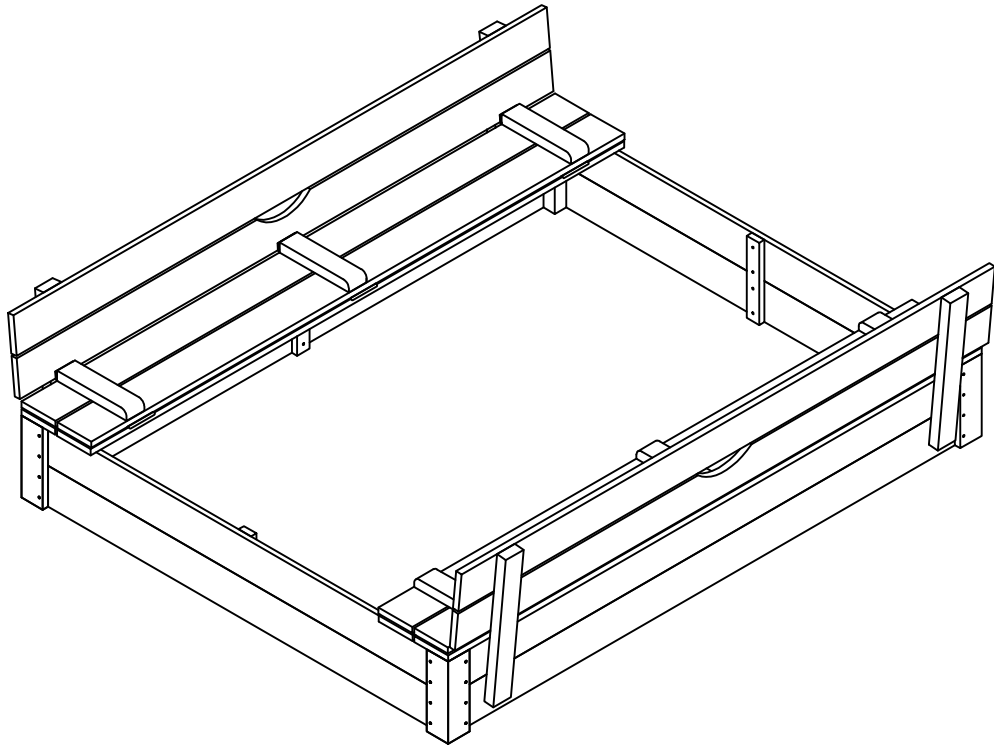
5

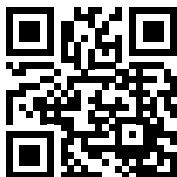


X 6



6





Scan for terms  
and conditions

+31(0)318 692 221  
[www.swingking.nl](http://www.swingking.nl)

Swing King IS A BRAND OF:

**HAPRO** INTERNATIONAL

