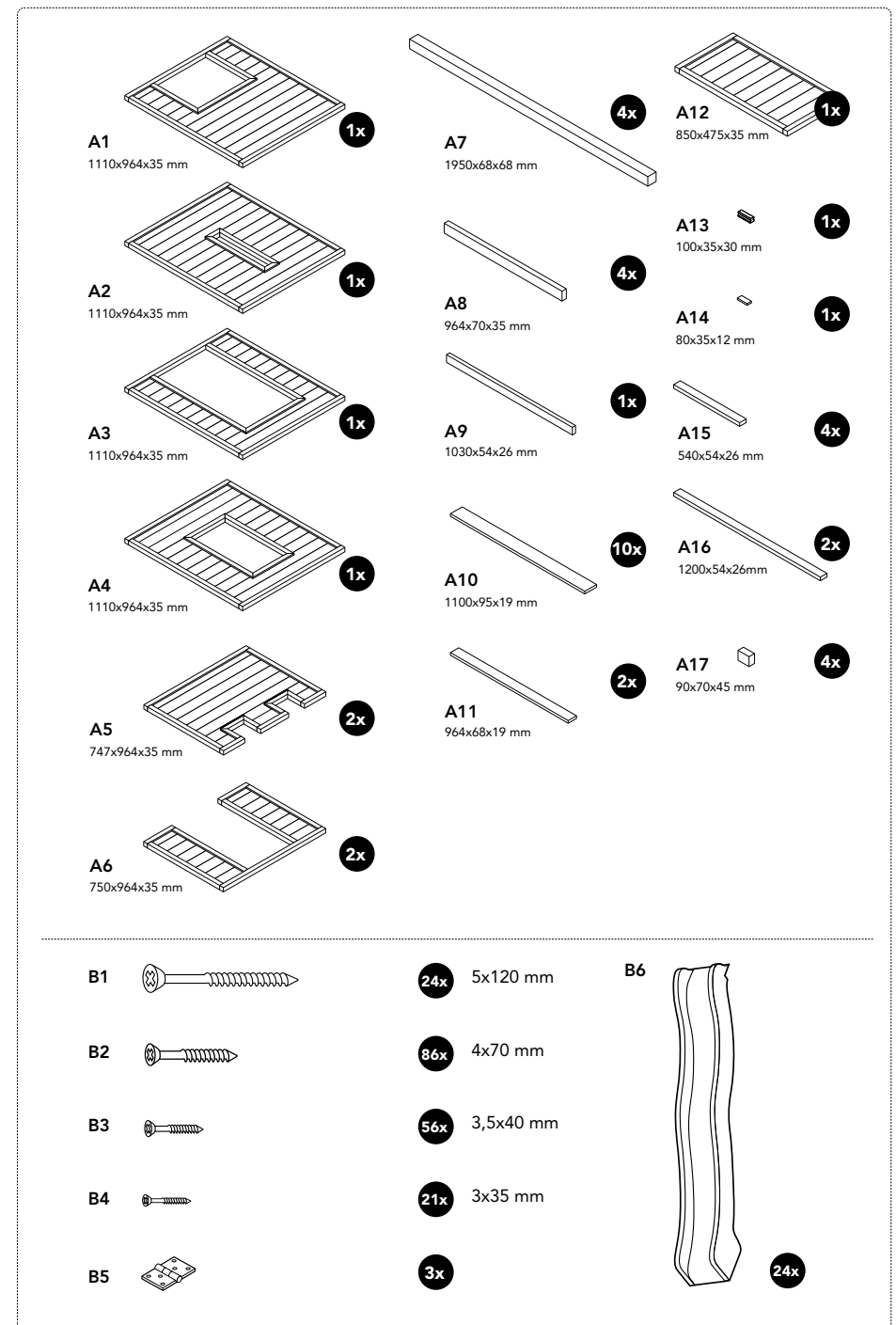
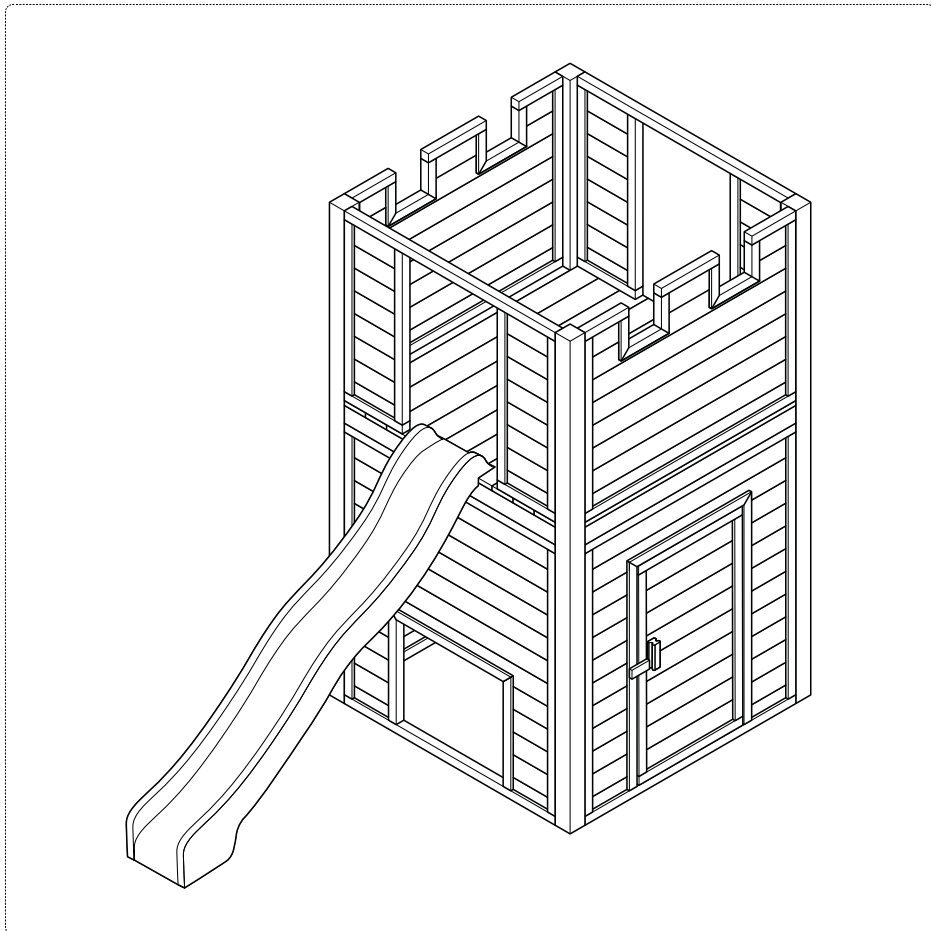
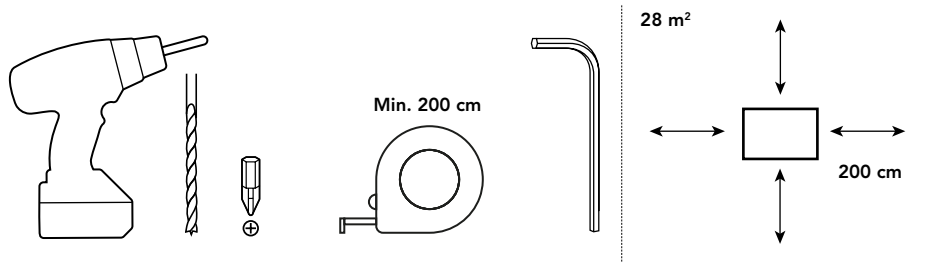


Lancelot

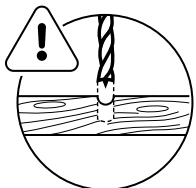
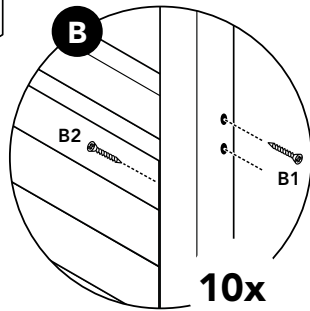
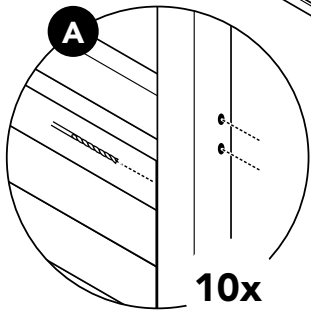
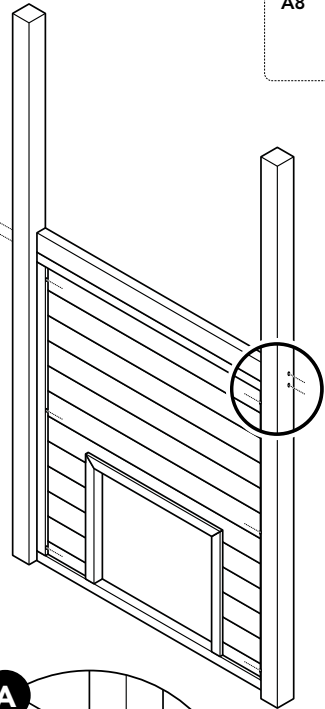
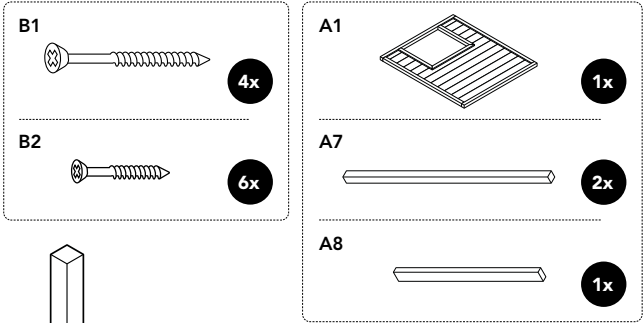
ART. NR. 7850046



Lancelot

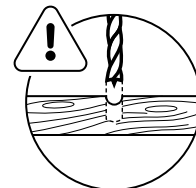
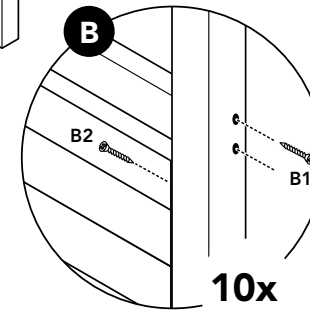
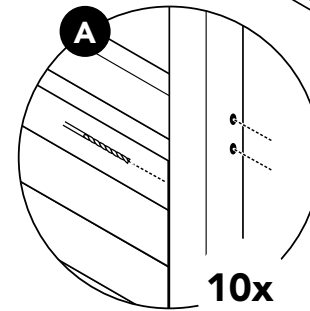
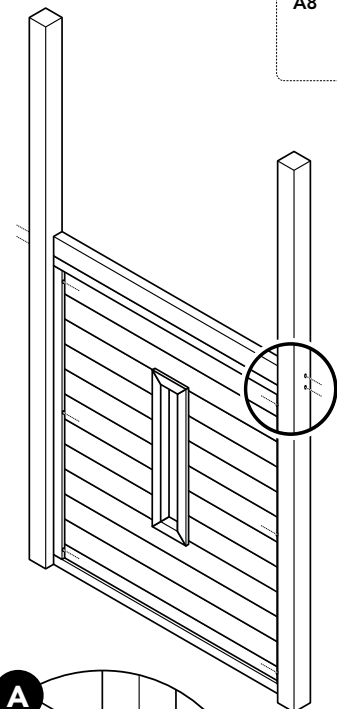
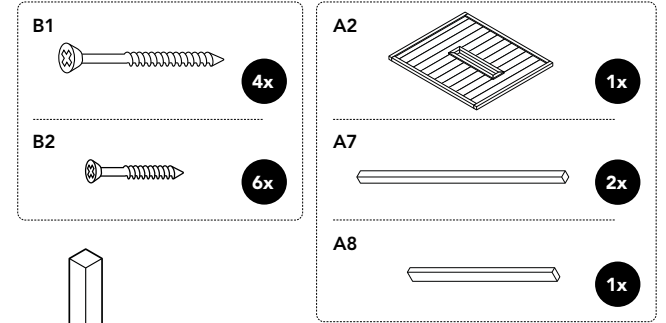


1



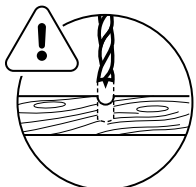
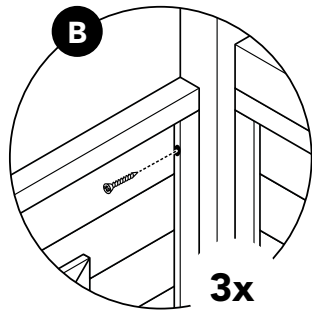
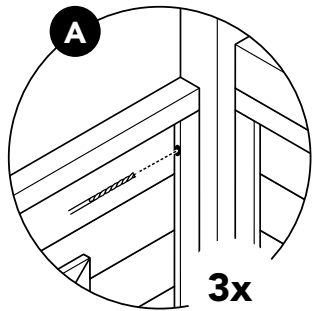
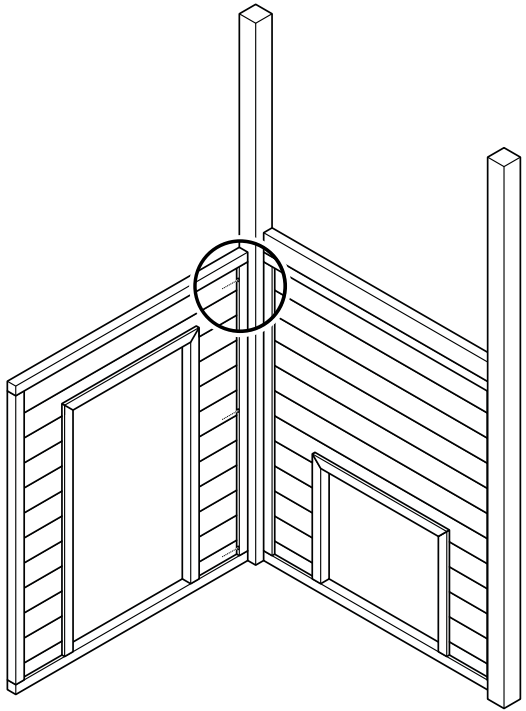
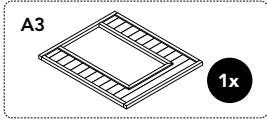
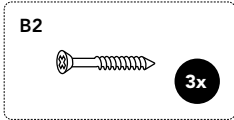
Ø 4+5 mm

2



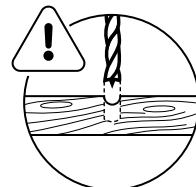
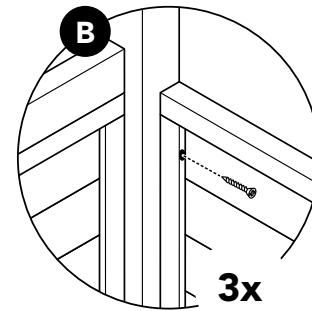
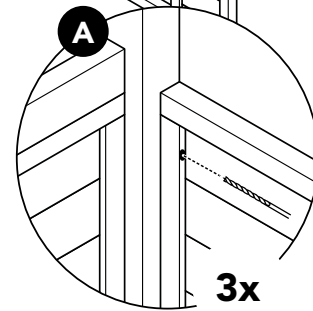
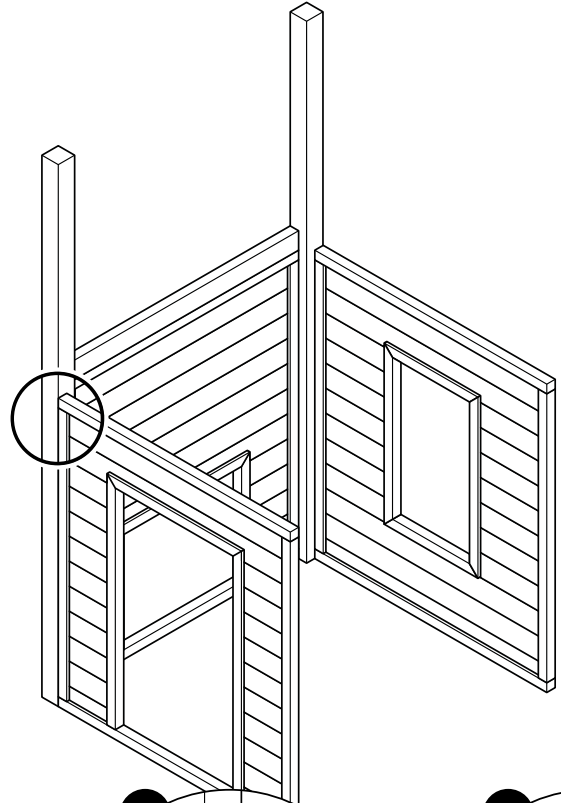
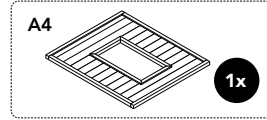
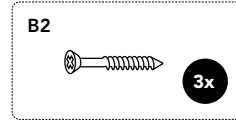
Ø 4+5 mm

3



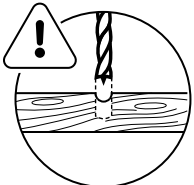
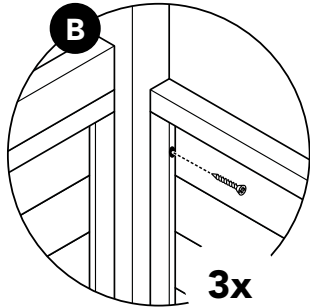
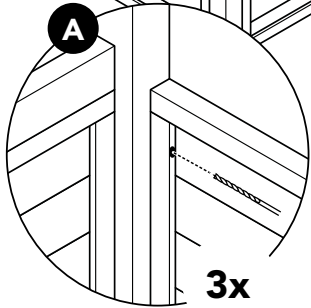
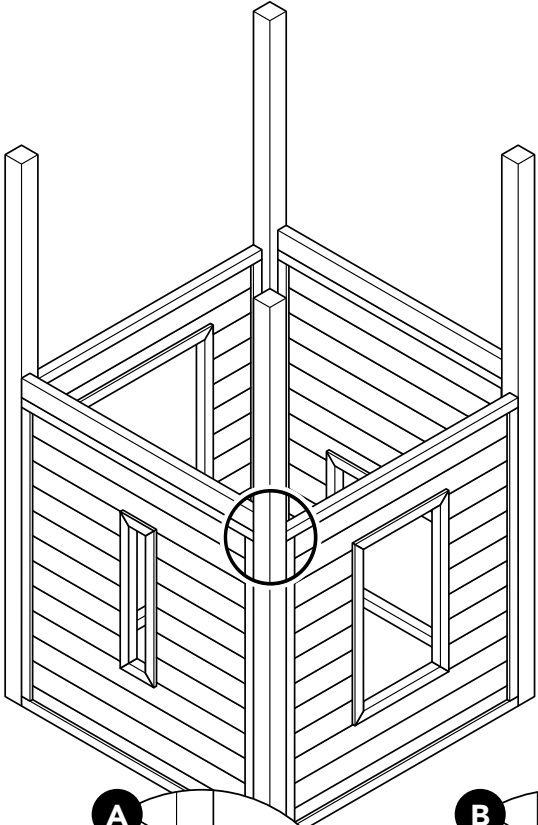
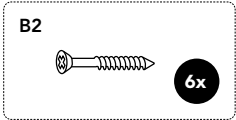
Ø 4 mm

4



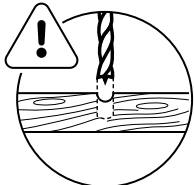
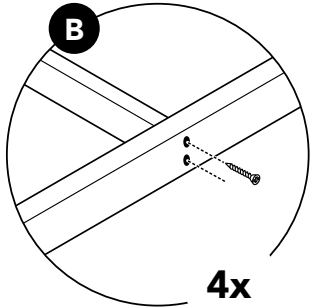
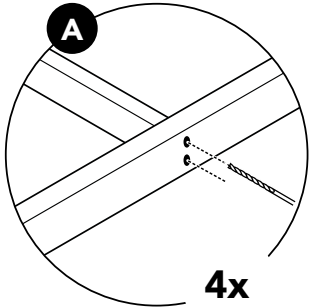
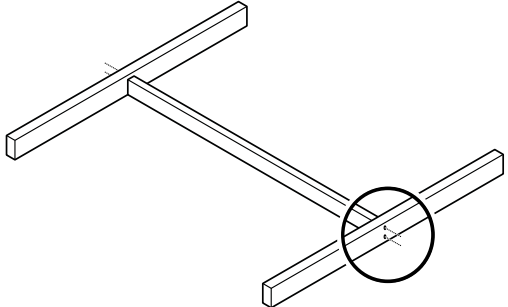
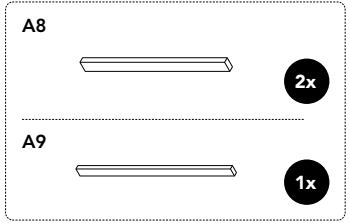
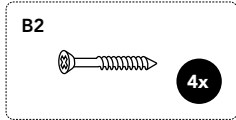
Ø 4 mm

5



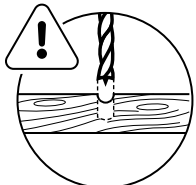
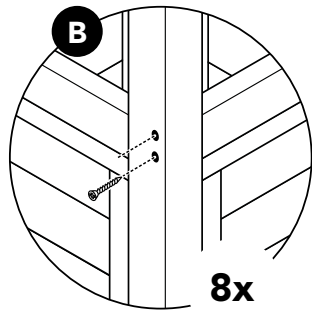
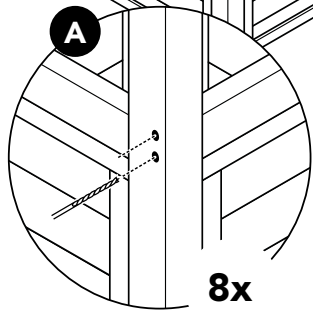
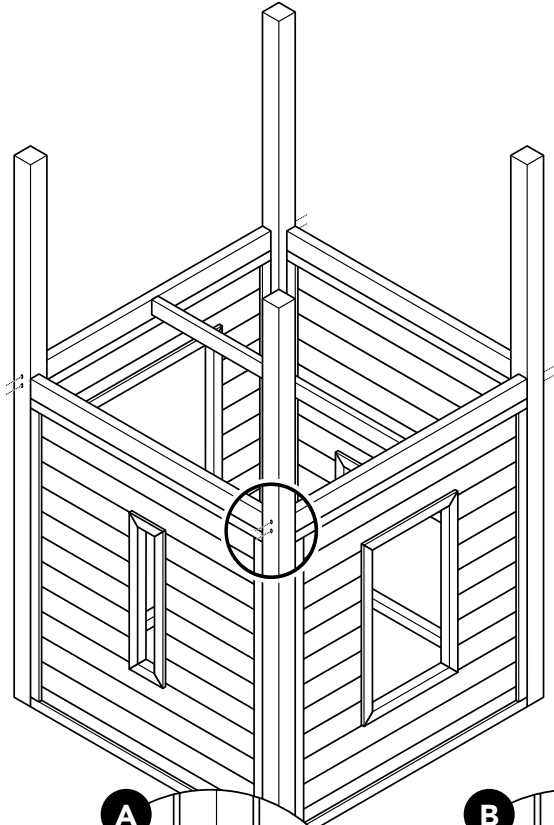
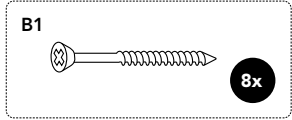
Ø 4 mm

6

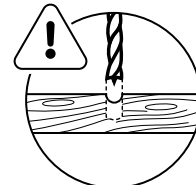
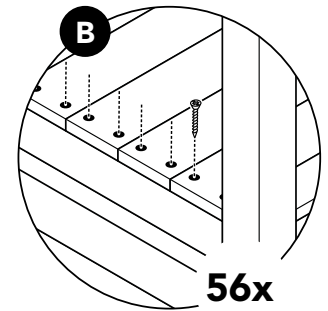
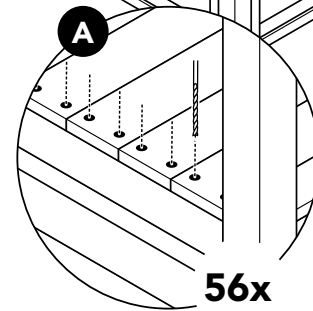
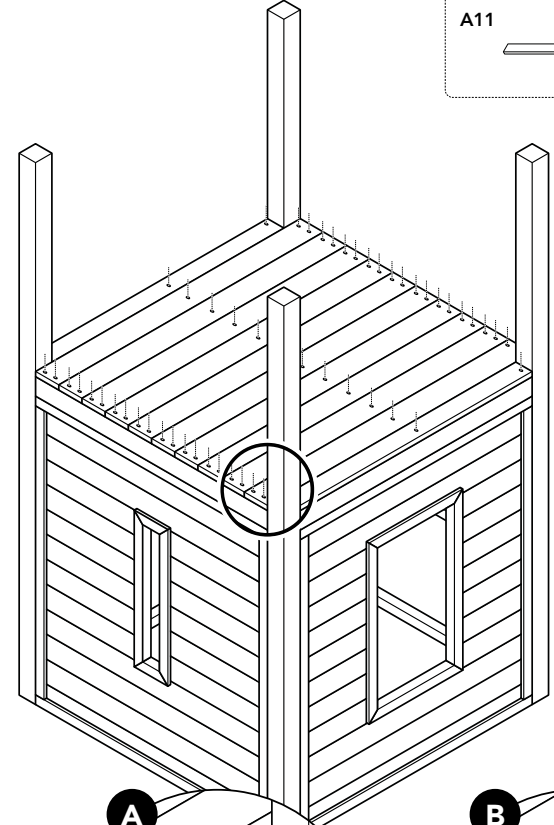
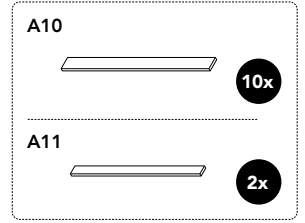
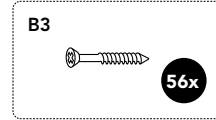


Ø 4 mm

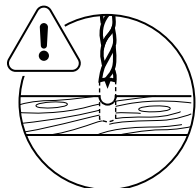
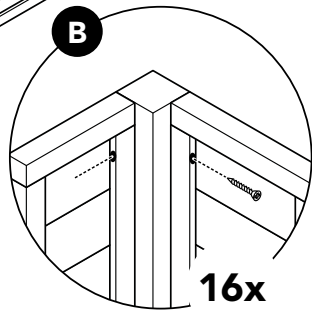
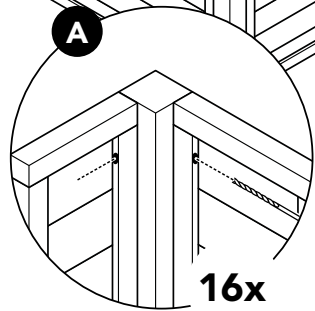
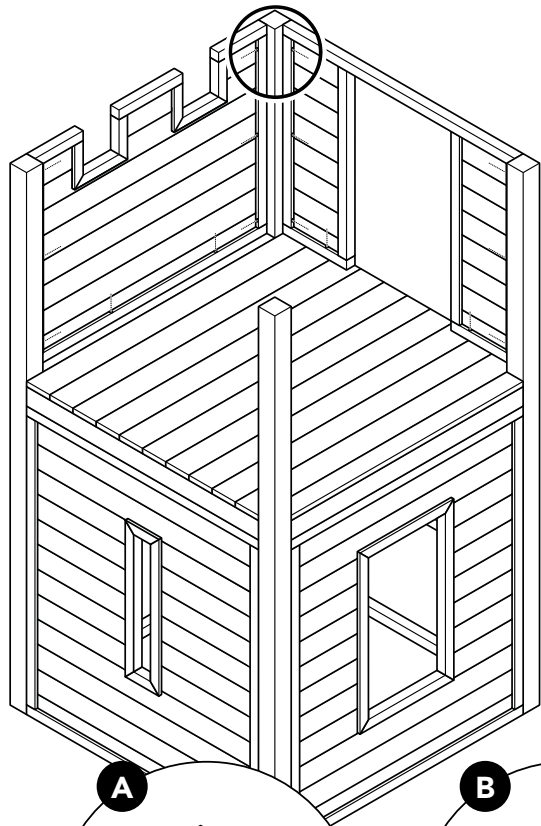
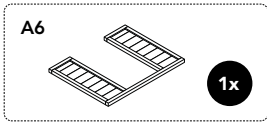
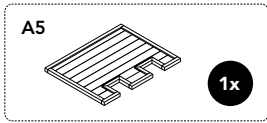
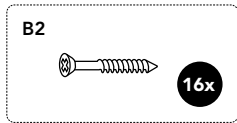
7



8

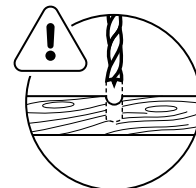
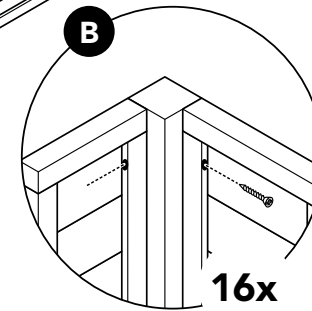
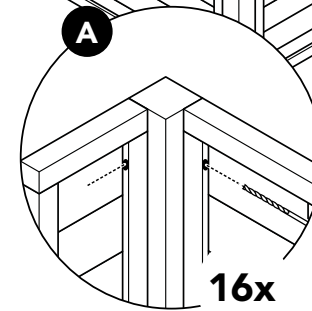
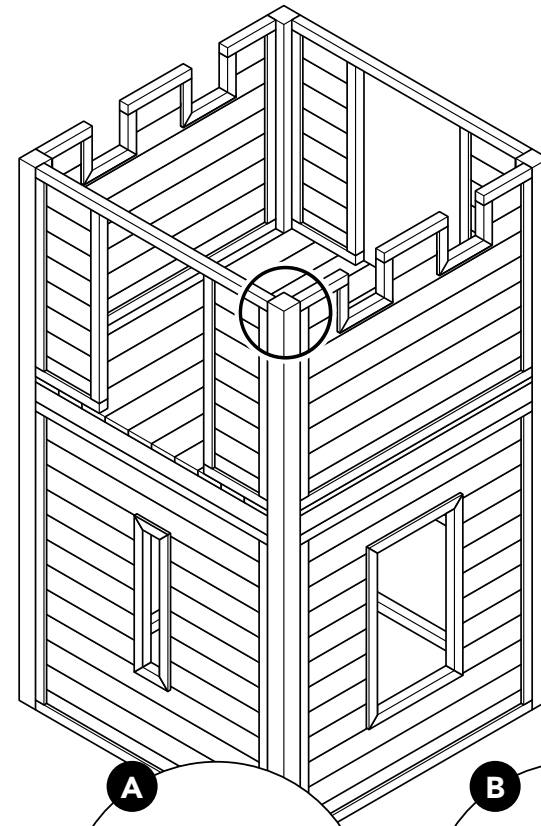
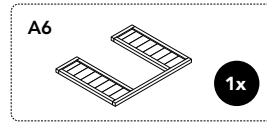
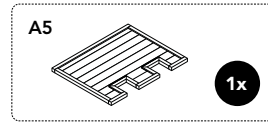
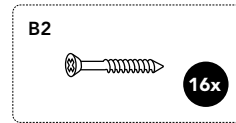


10



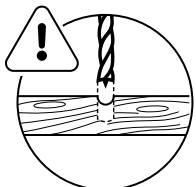
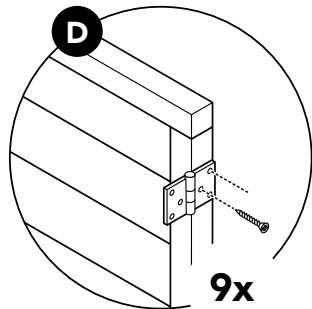
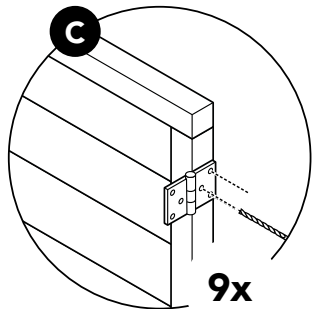
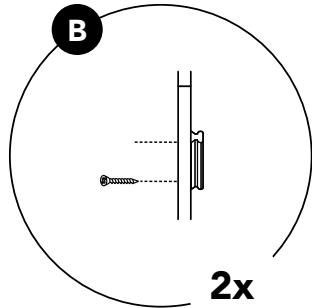
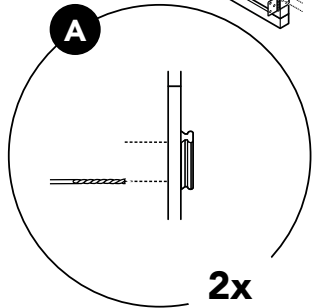
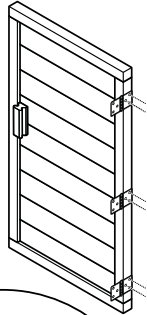
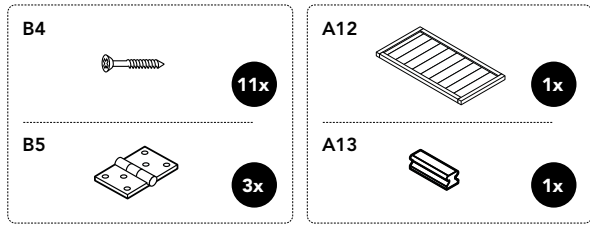
Ø 4 mm

11



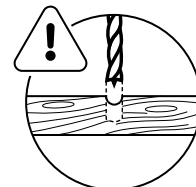
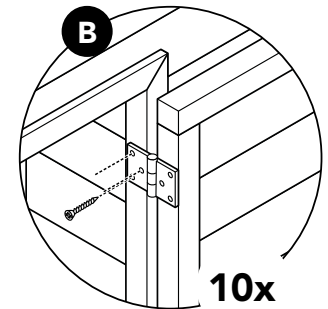
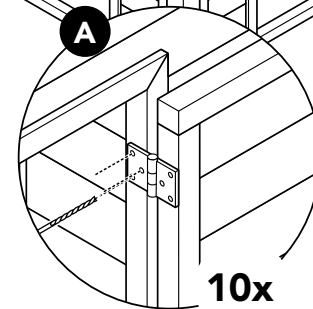
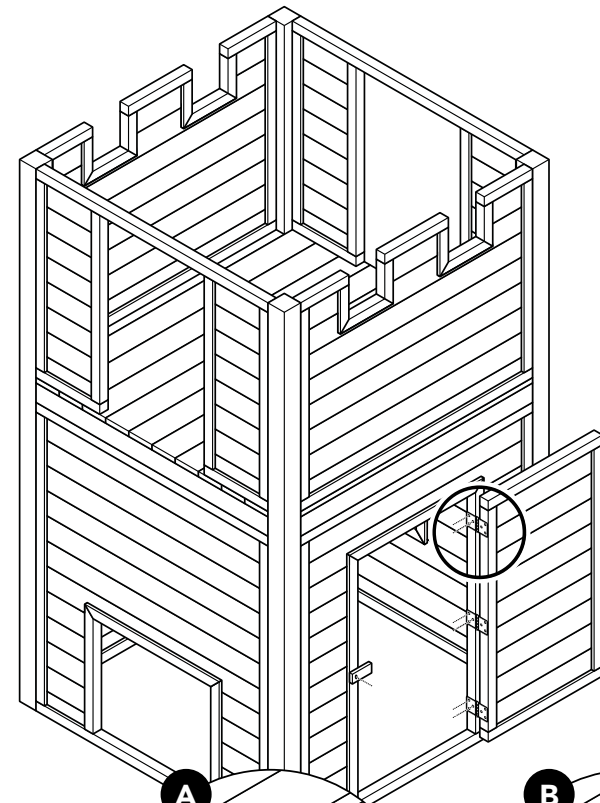
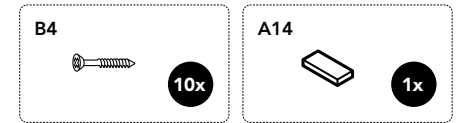
Ø 4 mm

12



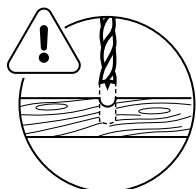
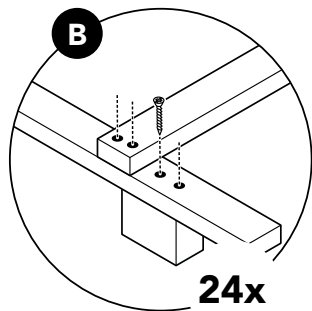
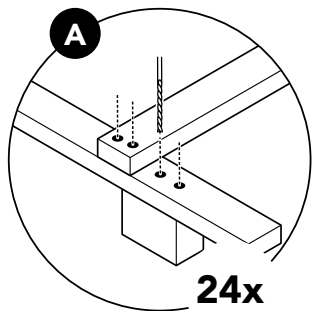
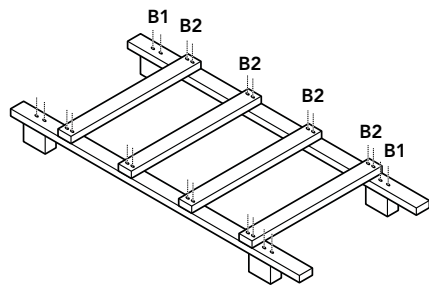
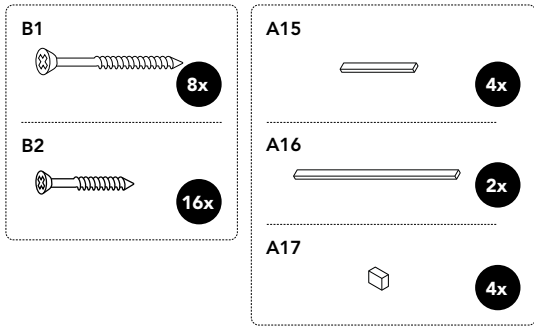
Ø 3 mm

13



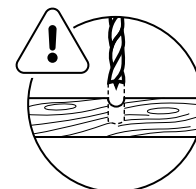
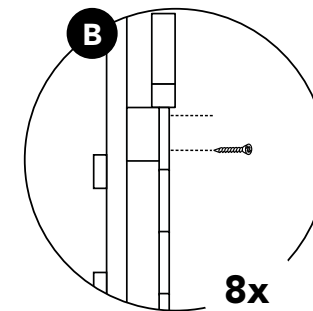
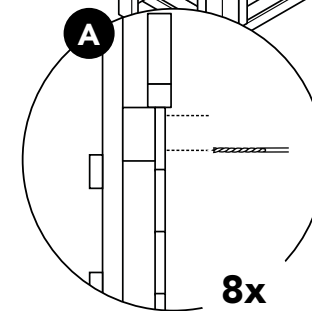
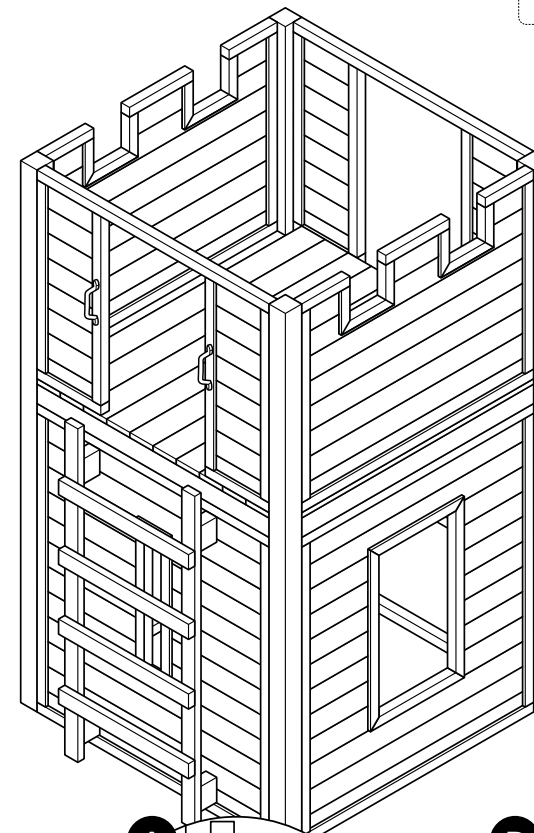
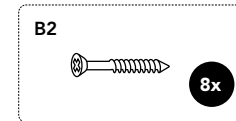
Ø 3 mm

14



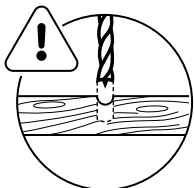
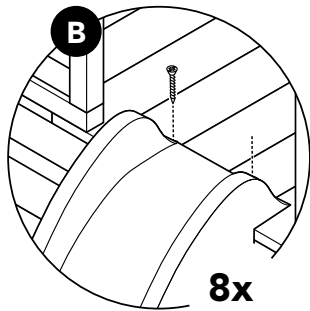
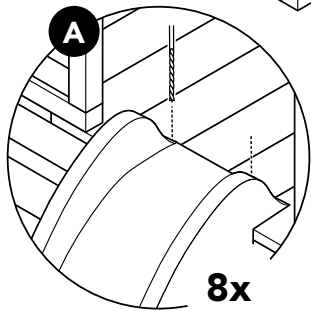
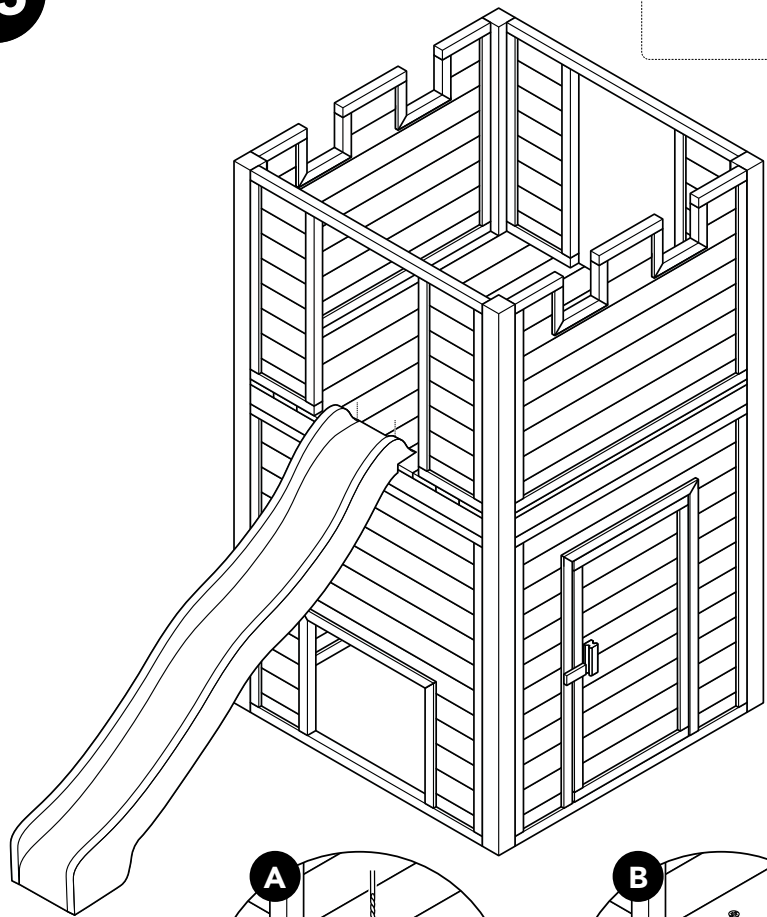
Ø 4 mm

15

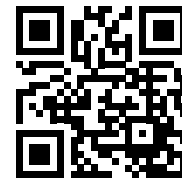


Ø 4 mm

15



Ø 4 mm



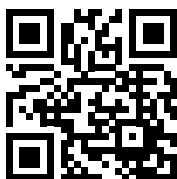
Scan for terms and conditions

+31(0)318 692 221
www.swingking.nl

Swing King IS A BRAND OF:

HAPRO INTERNATIONAL





Scan for terms
and conditions

+31(0)318 692 221
www.swingking.nl

Swing King IS A BRAND OF:

HAPRO INTERNATIONAL

Morsestraat 6, 6716 AH Ede - The Netherlands

UK
CE

