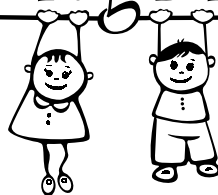


Jim

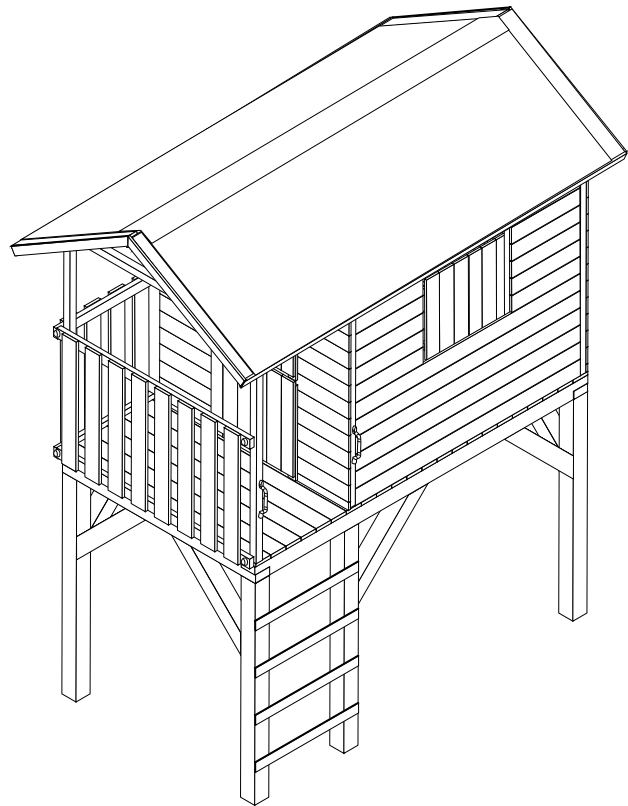
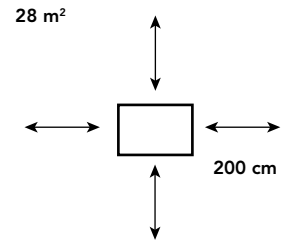
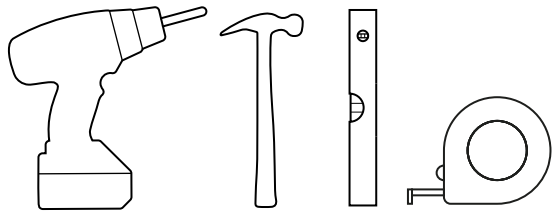
ART. NR. 7850010



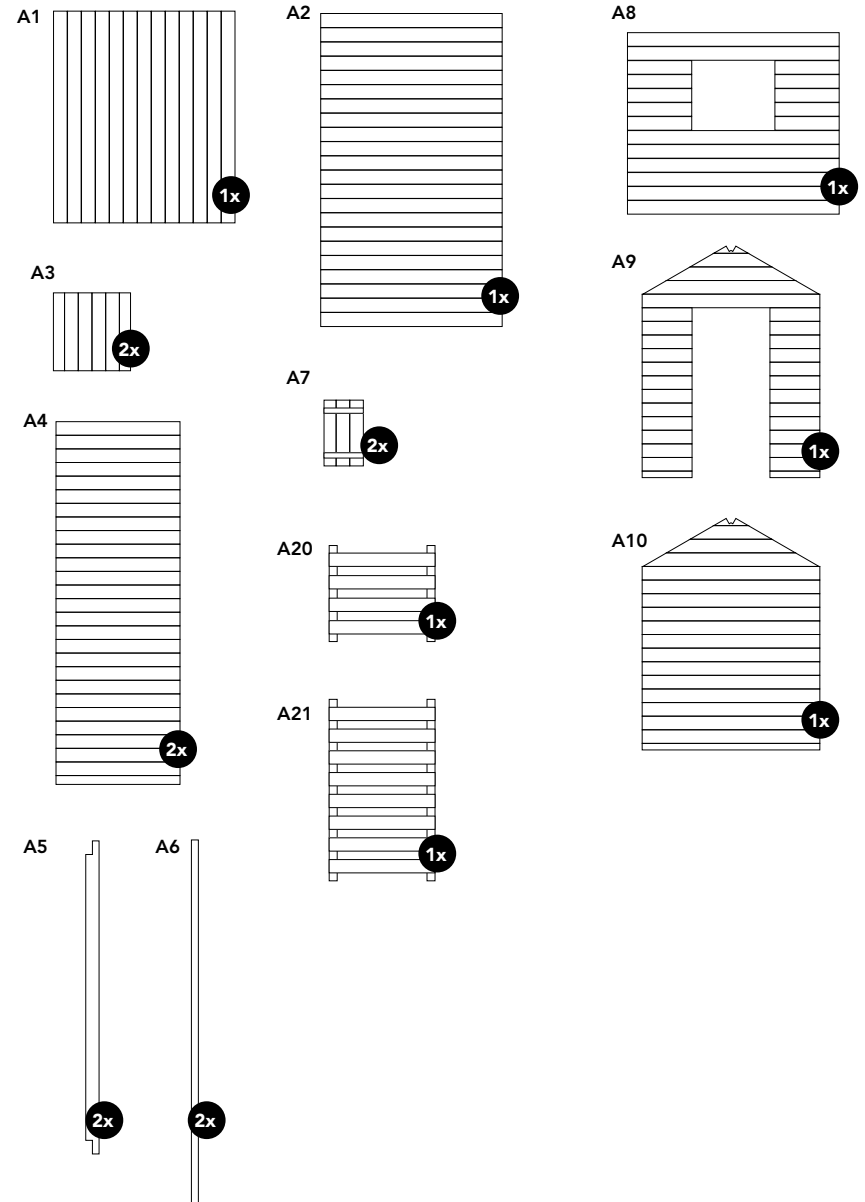
Swing King

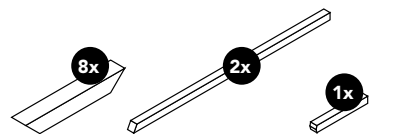
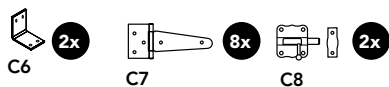


Jim

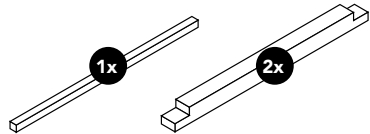


L=150cm x B= 120cm x H= 285cm





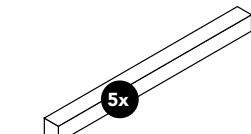
A11 620x88x88 mm
A12 1220x3,9x3,9 mm
A13 320x39x39 mm



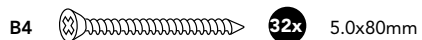
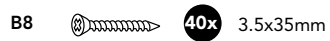
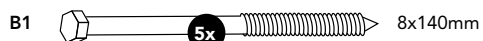
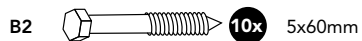
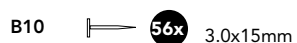
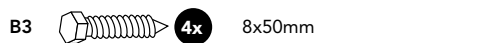
A14 1130x3,9x3,9 mm
A15 1220x88x88 mm



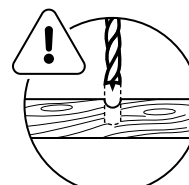
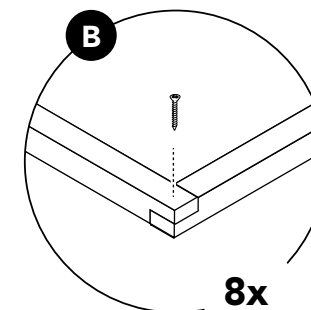
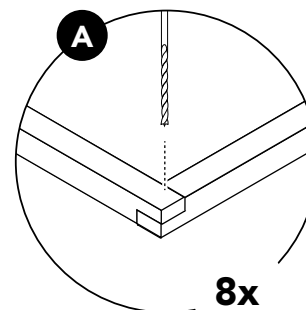
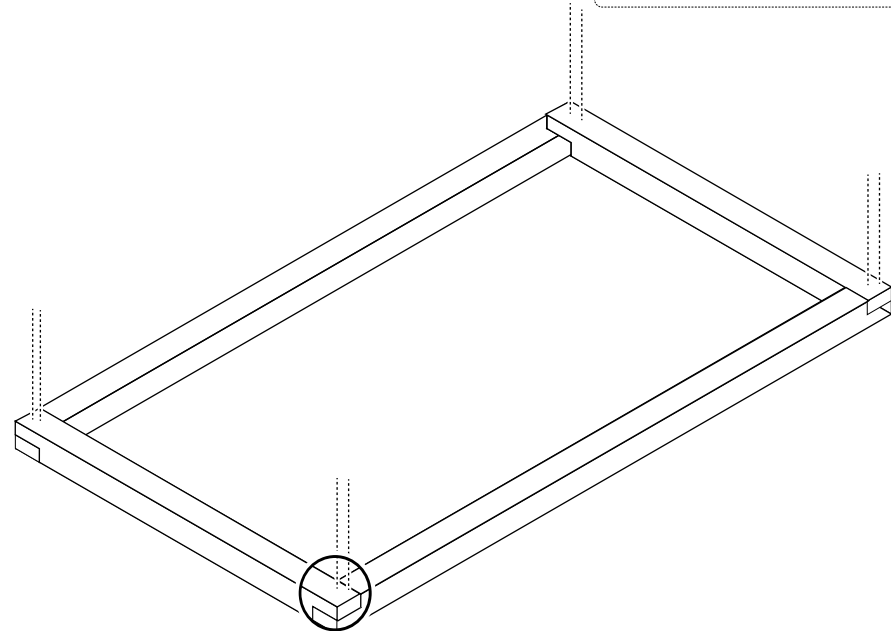
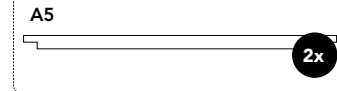
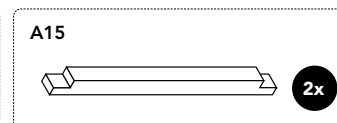
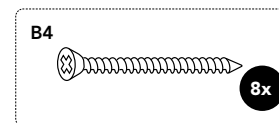
A16 640x1,6mm
A17 835x1,2mm



A18 1220x88x88 mm

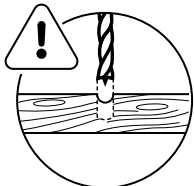
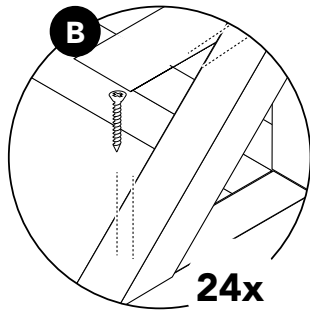
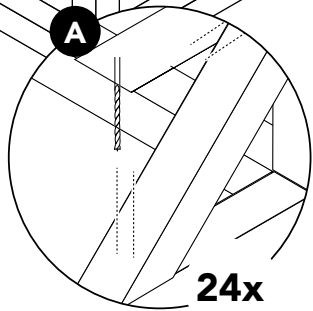
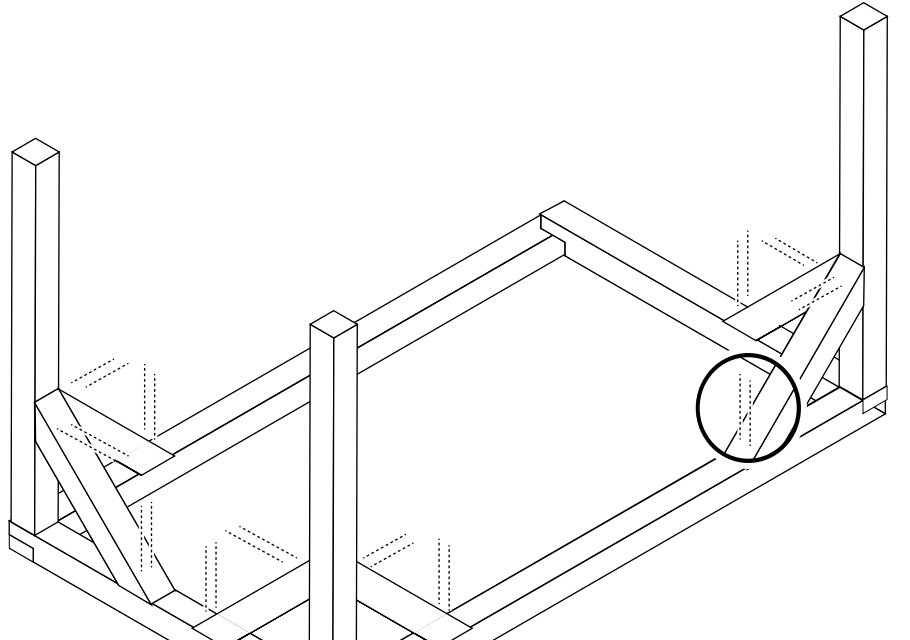
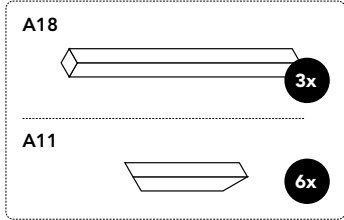
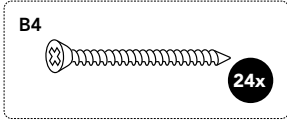


1



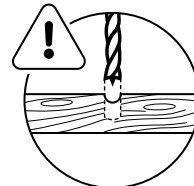
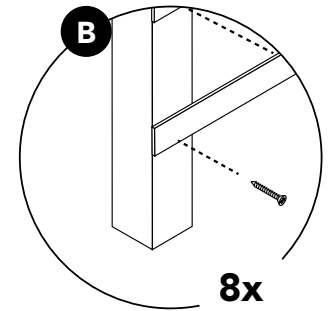
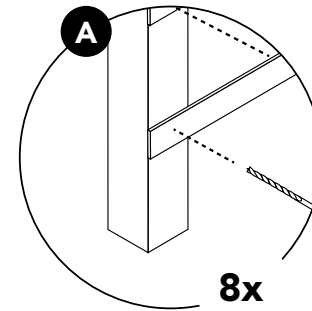
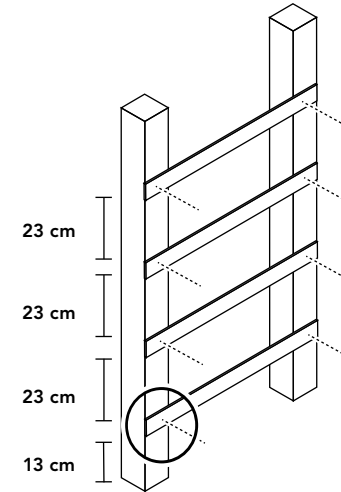
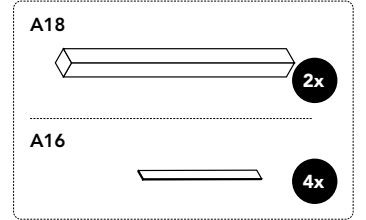
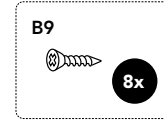
Ø 2,5 mm

2



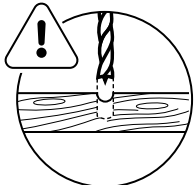
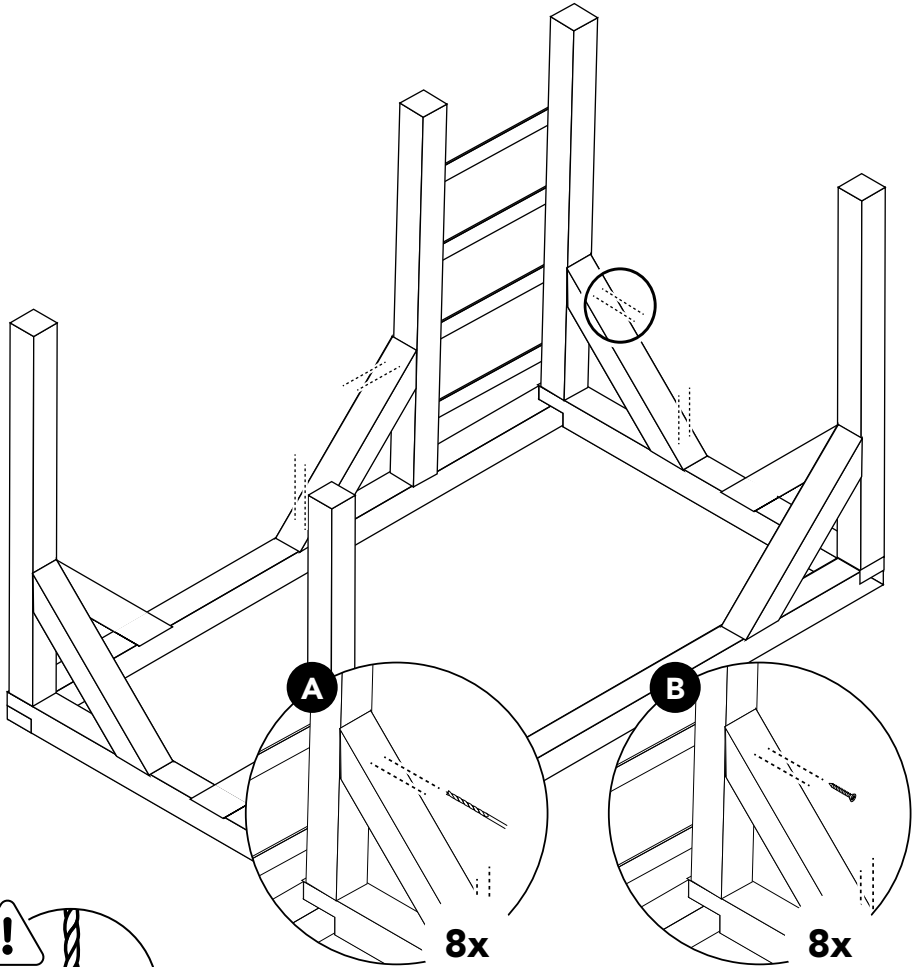
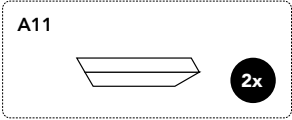
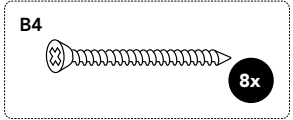
Ø 2,5 mm

3



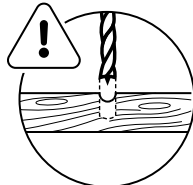
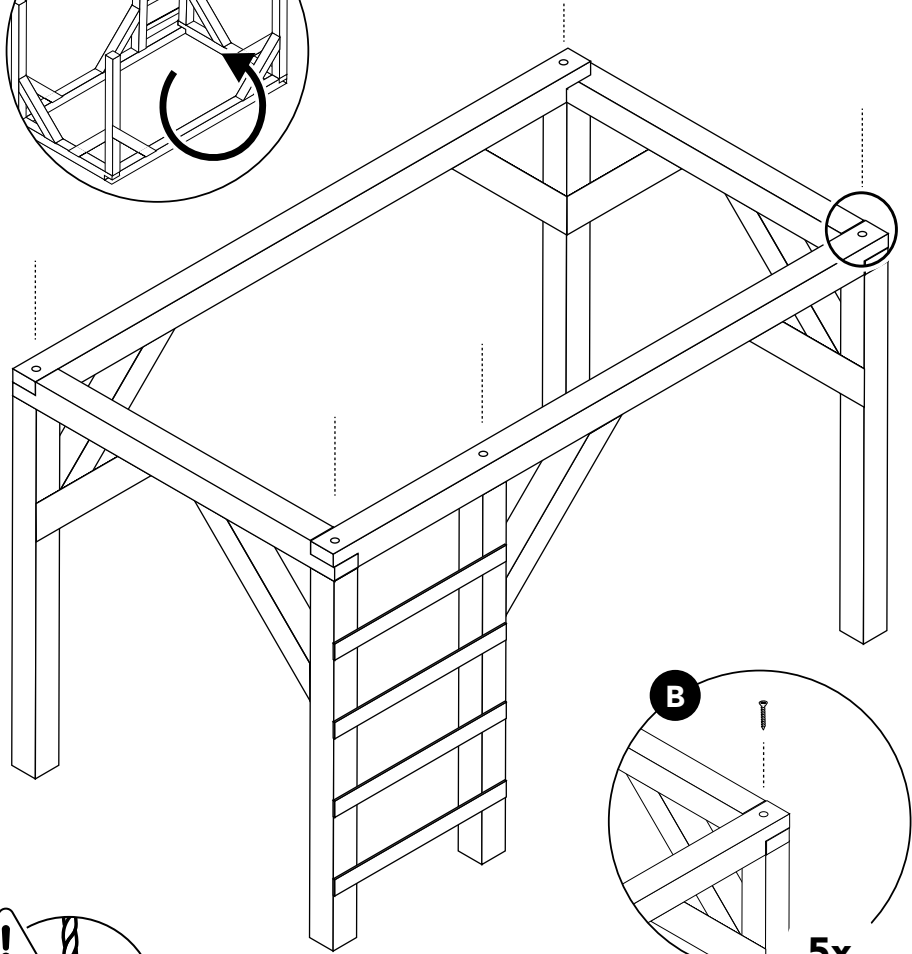
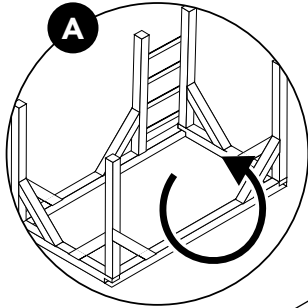
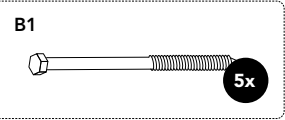
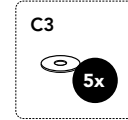
Ø 2,5 mm

4



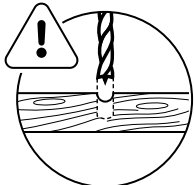
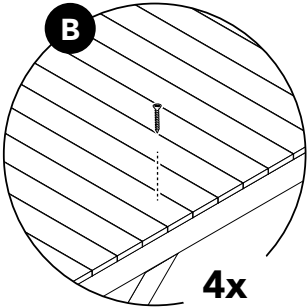
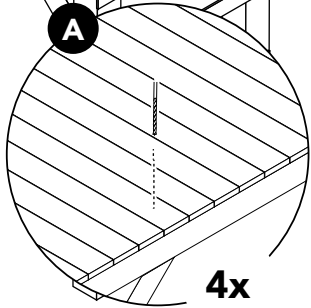
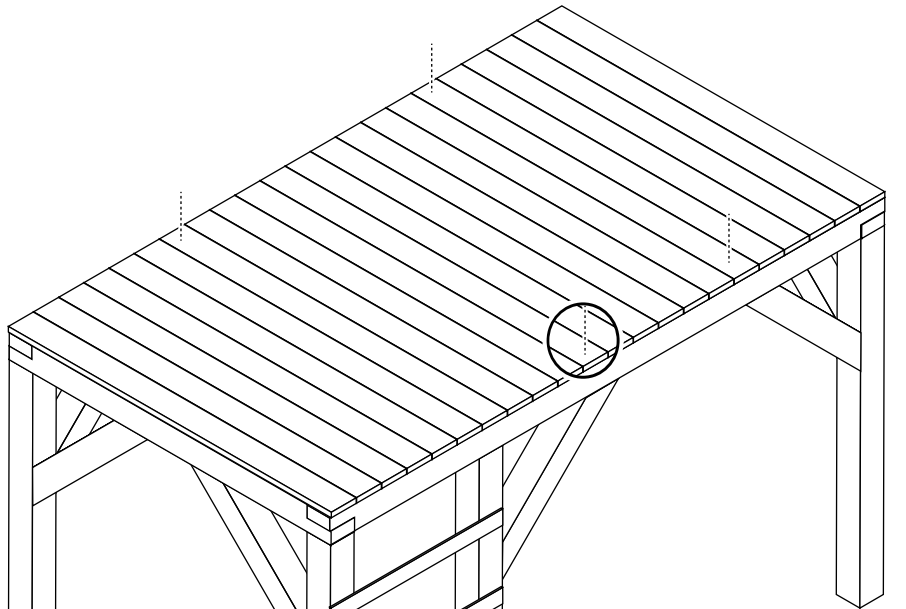
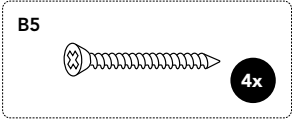
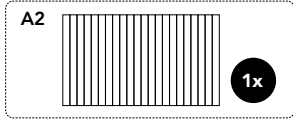
Ø 2,5 mm

5



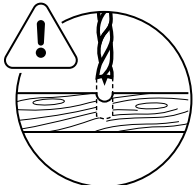
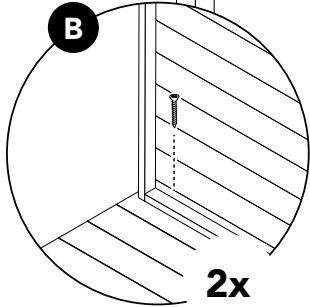
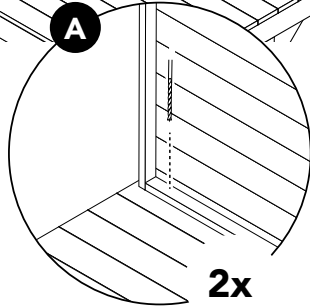
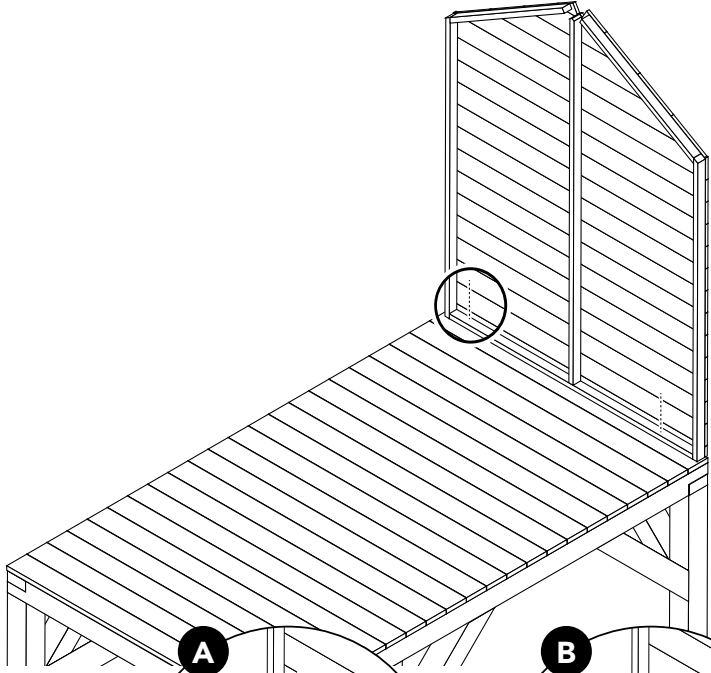
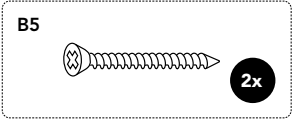
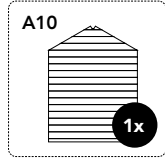
Ø 2,5 mm

6



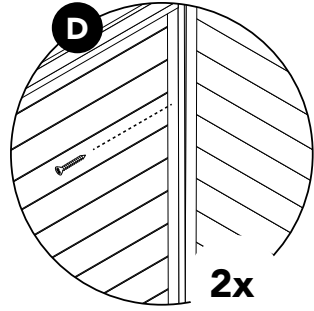
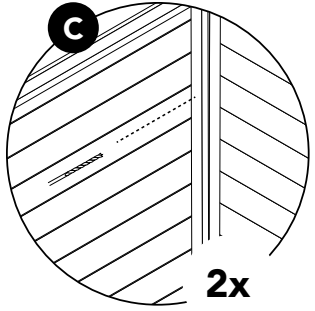
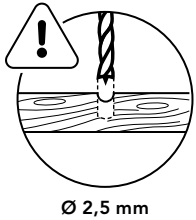
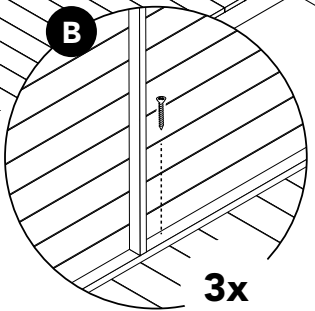
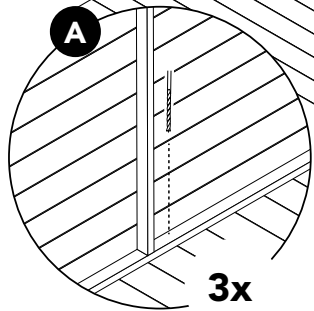
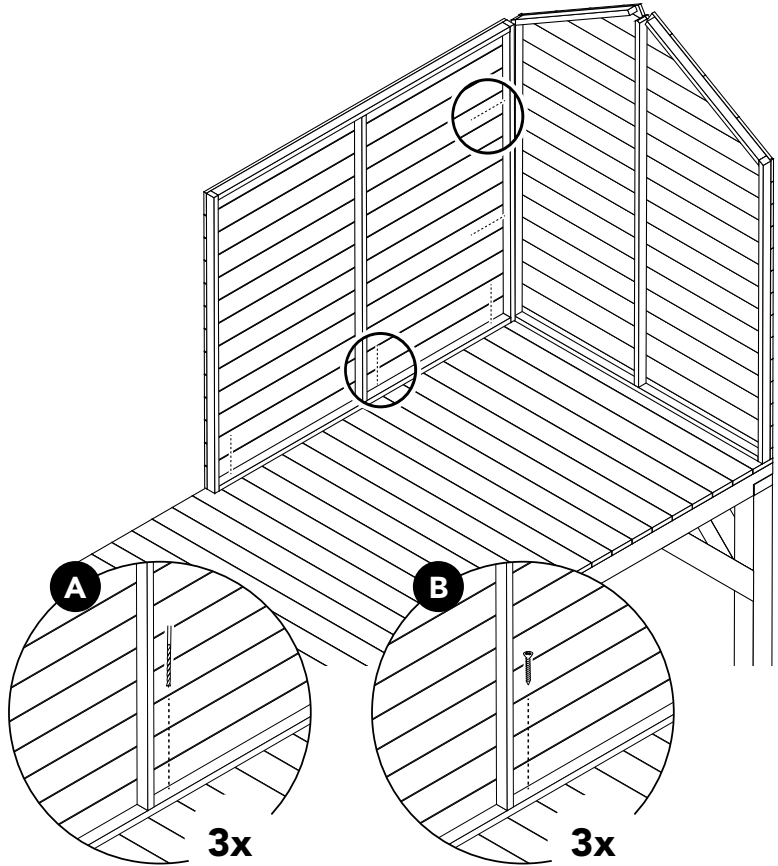
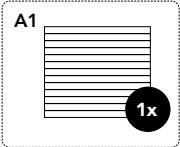
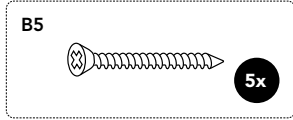
Ø 2,5 mm

7

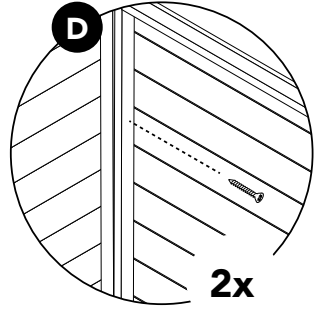
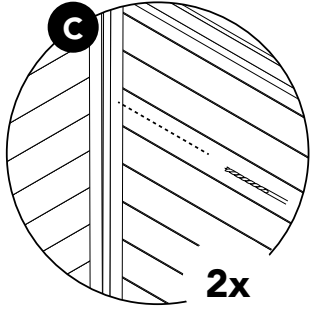
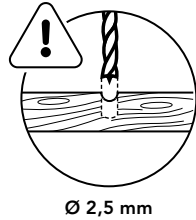
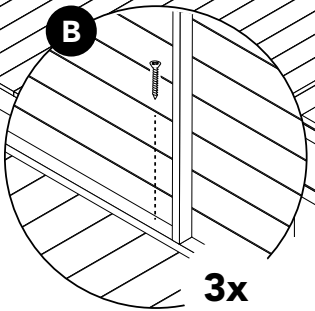
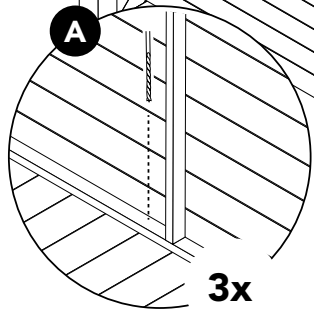
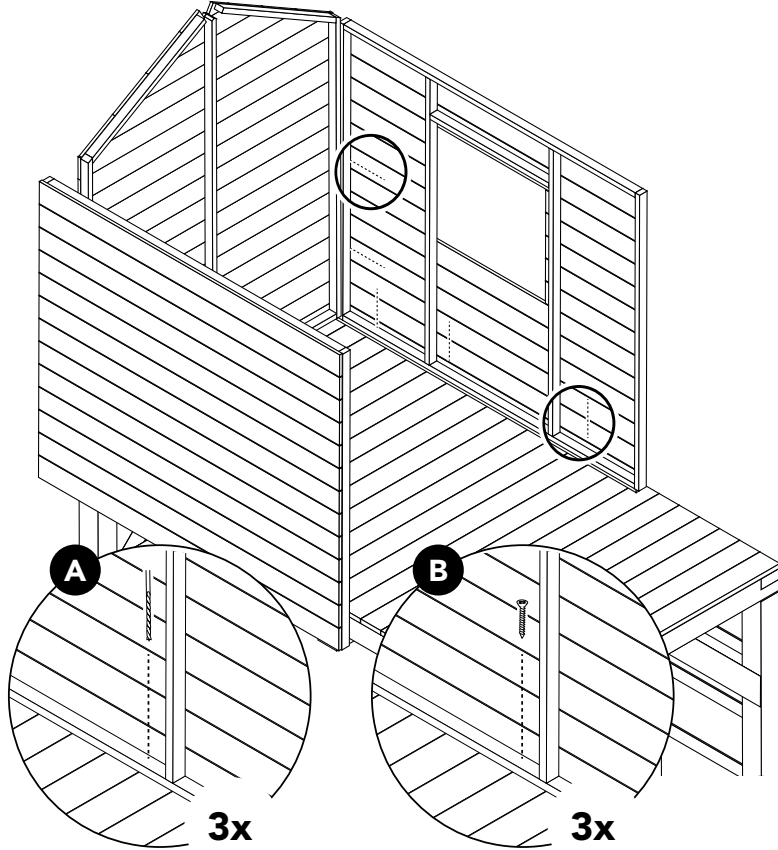
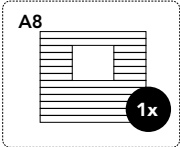
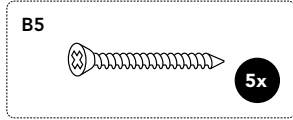


Ø 2,5 mm

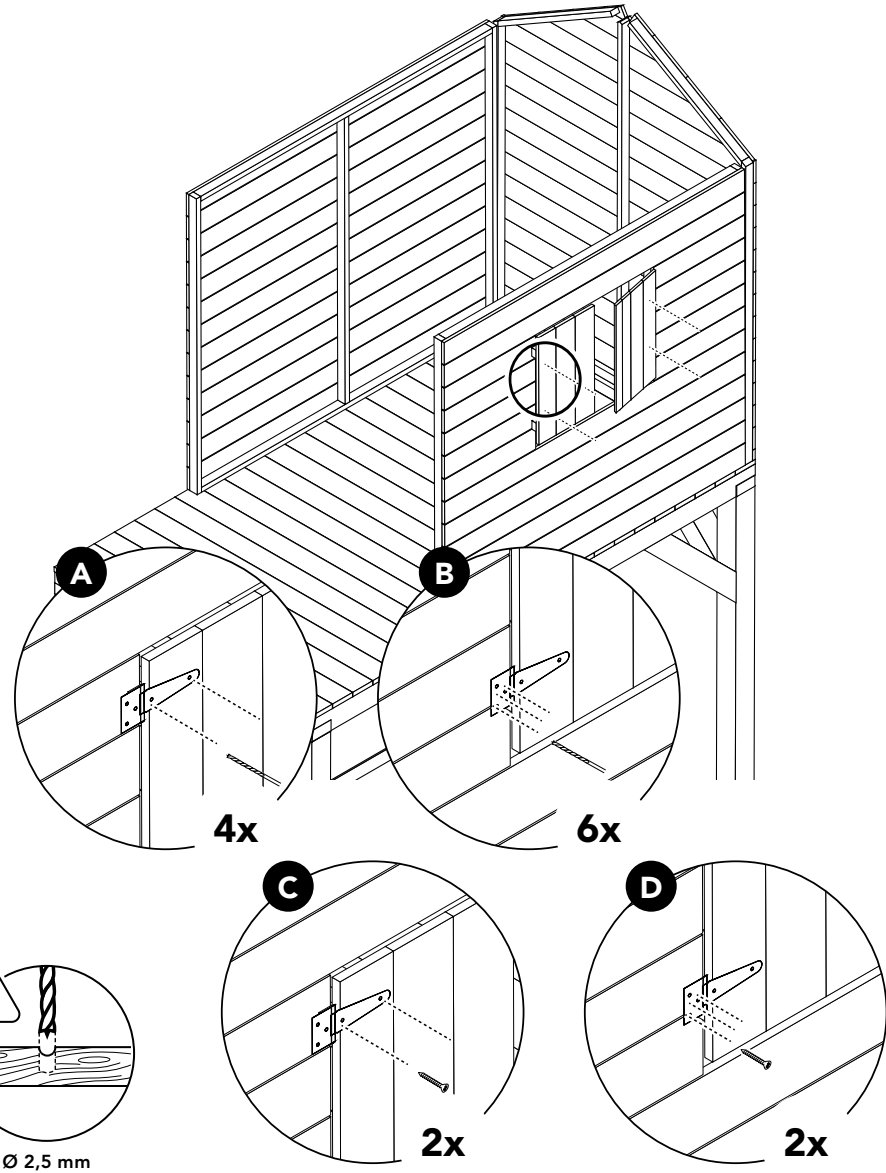
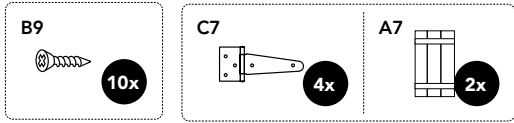
8



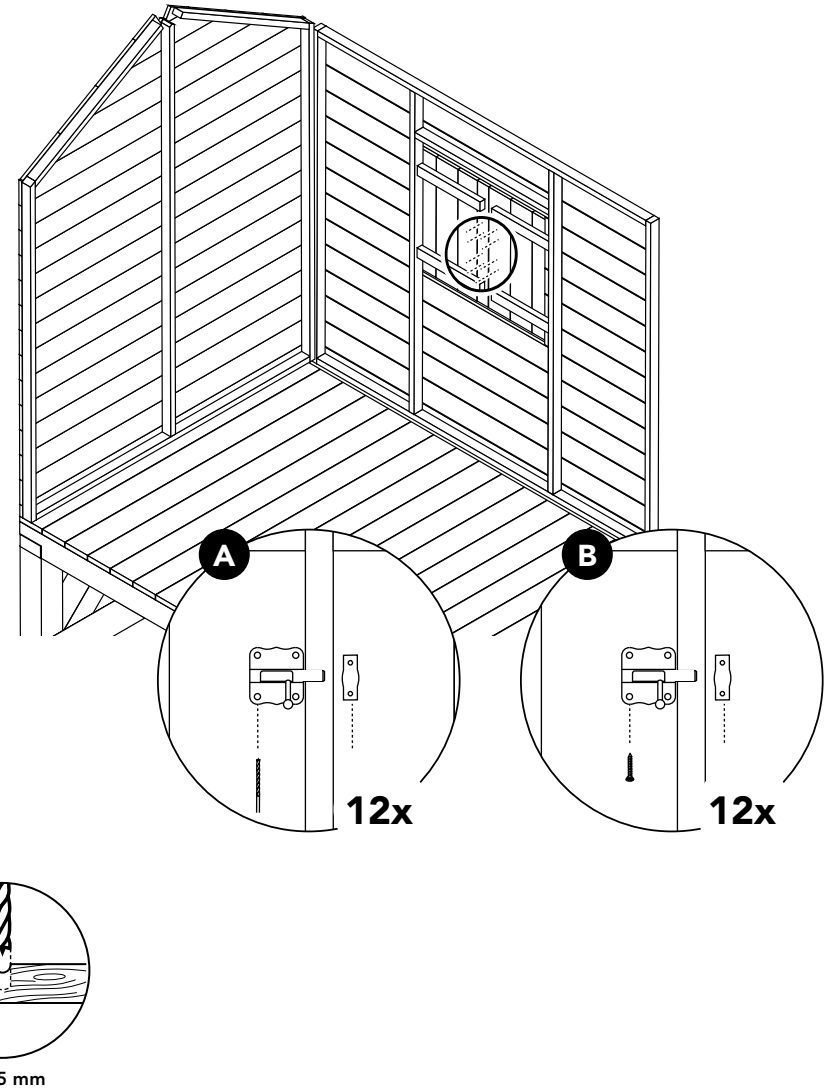
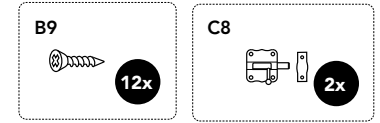
9



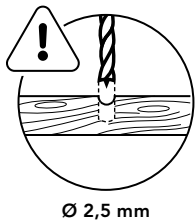
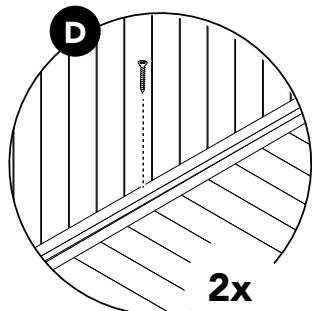
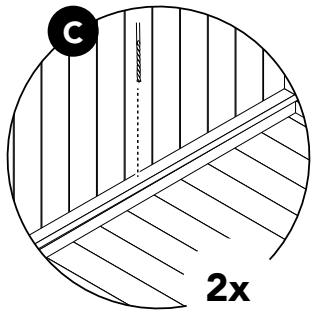
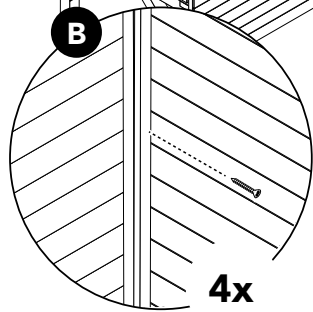
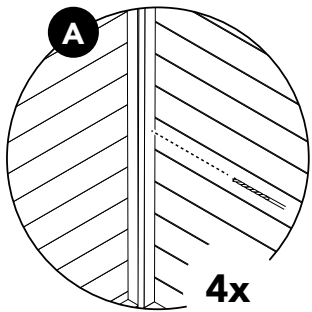
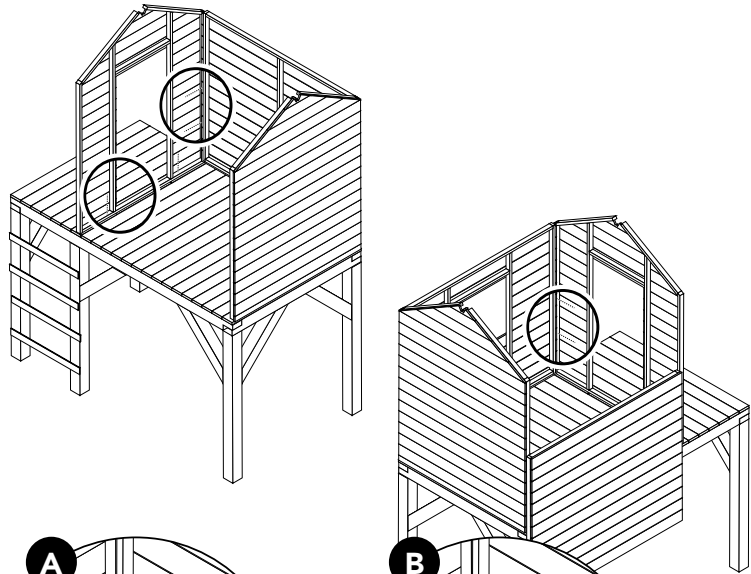
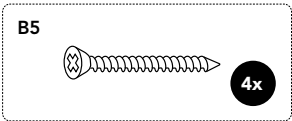
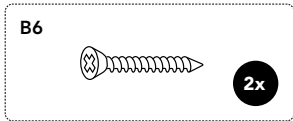
10



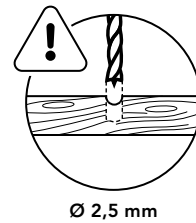
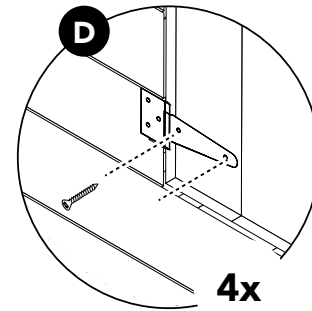
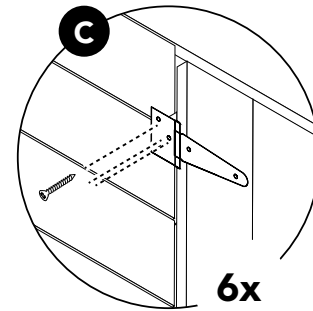
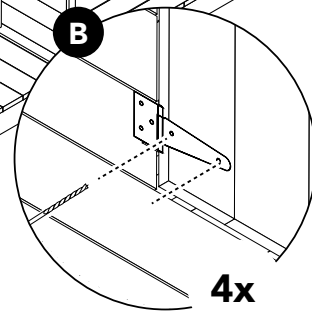
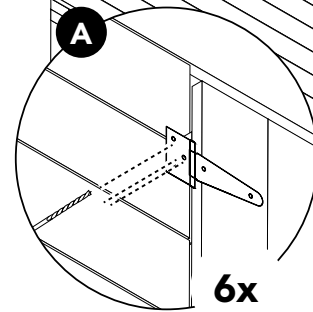
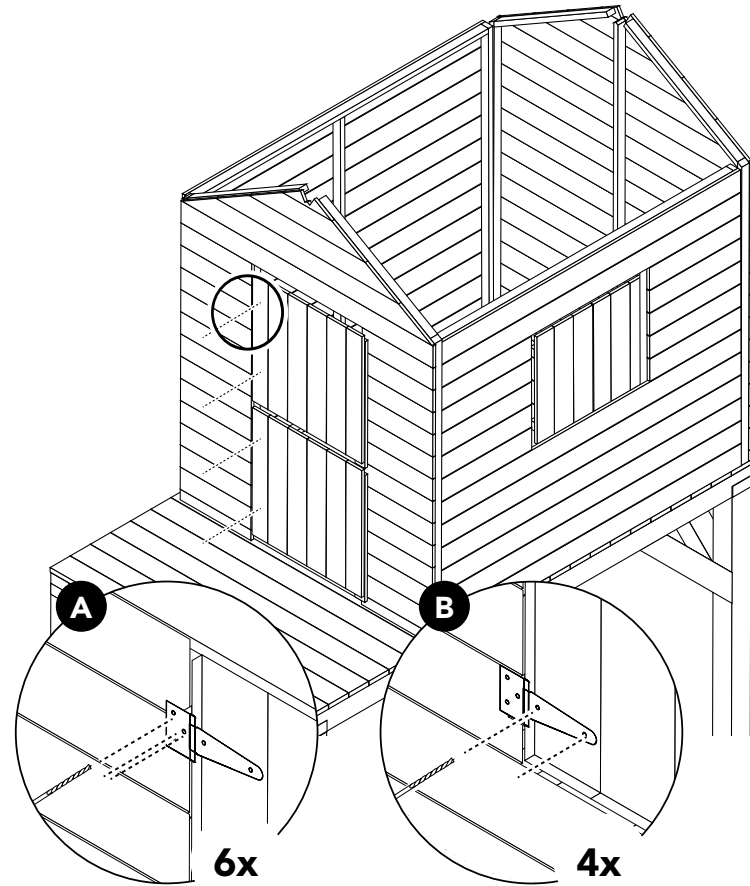
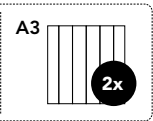
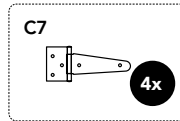
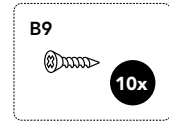
11



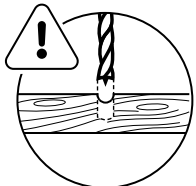
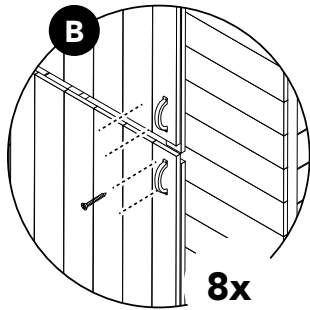
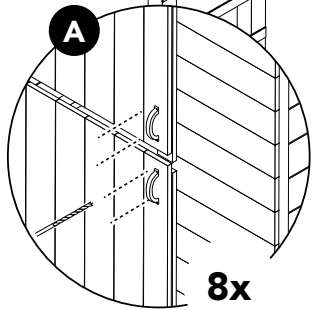
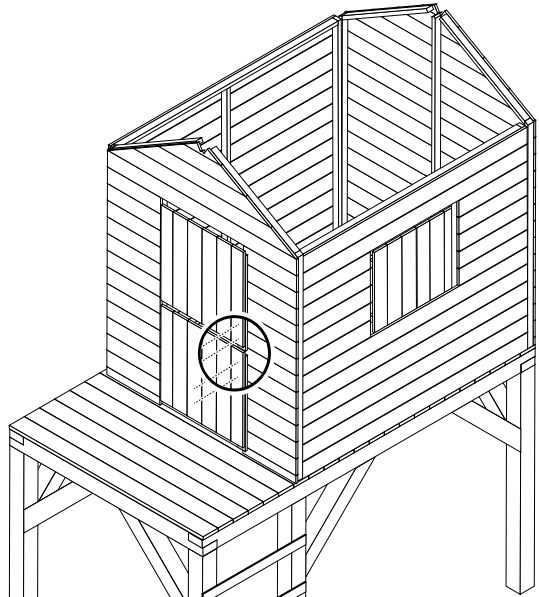
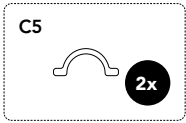
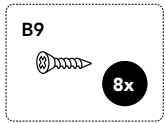
12



13

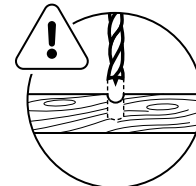
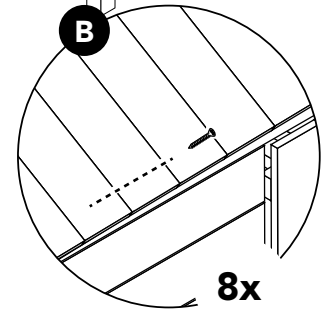
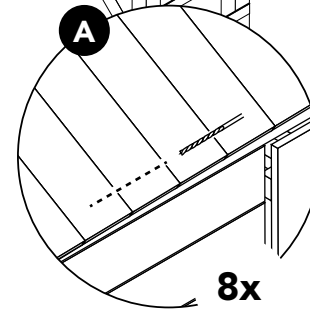
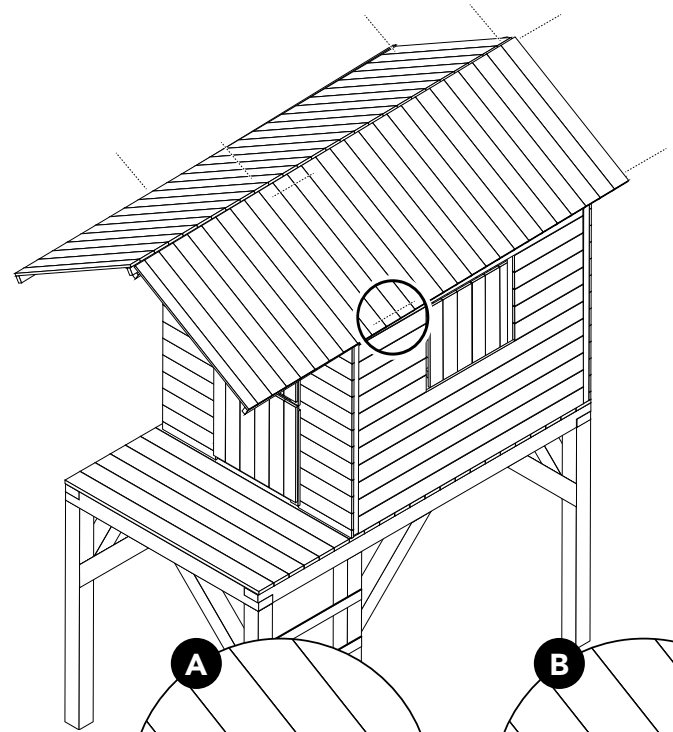
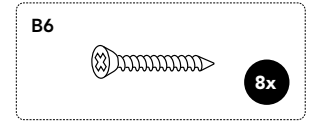
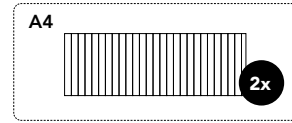


14



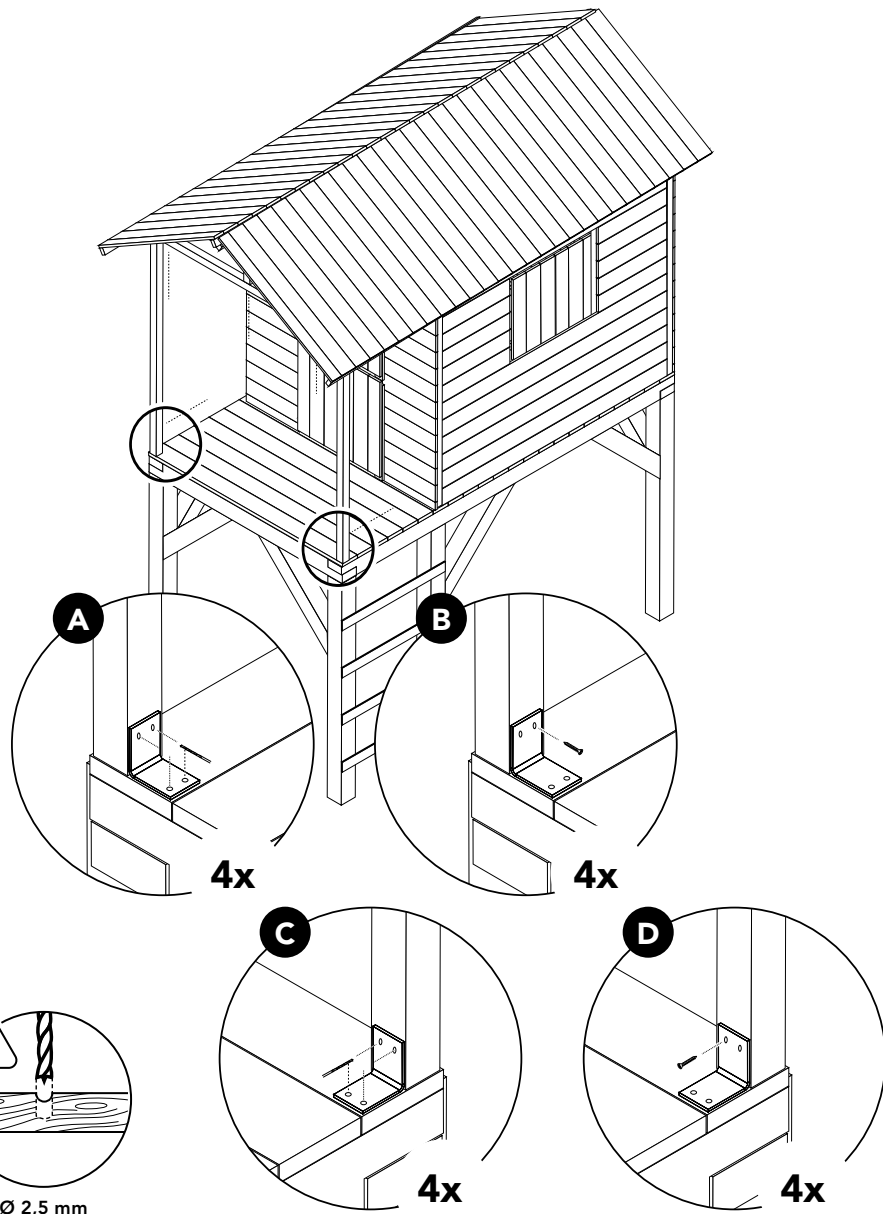
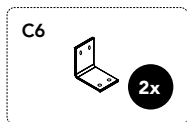
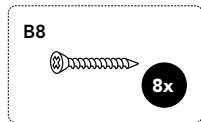
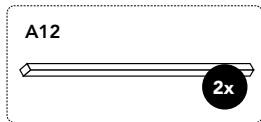
Ø 2,5 mm

15

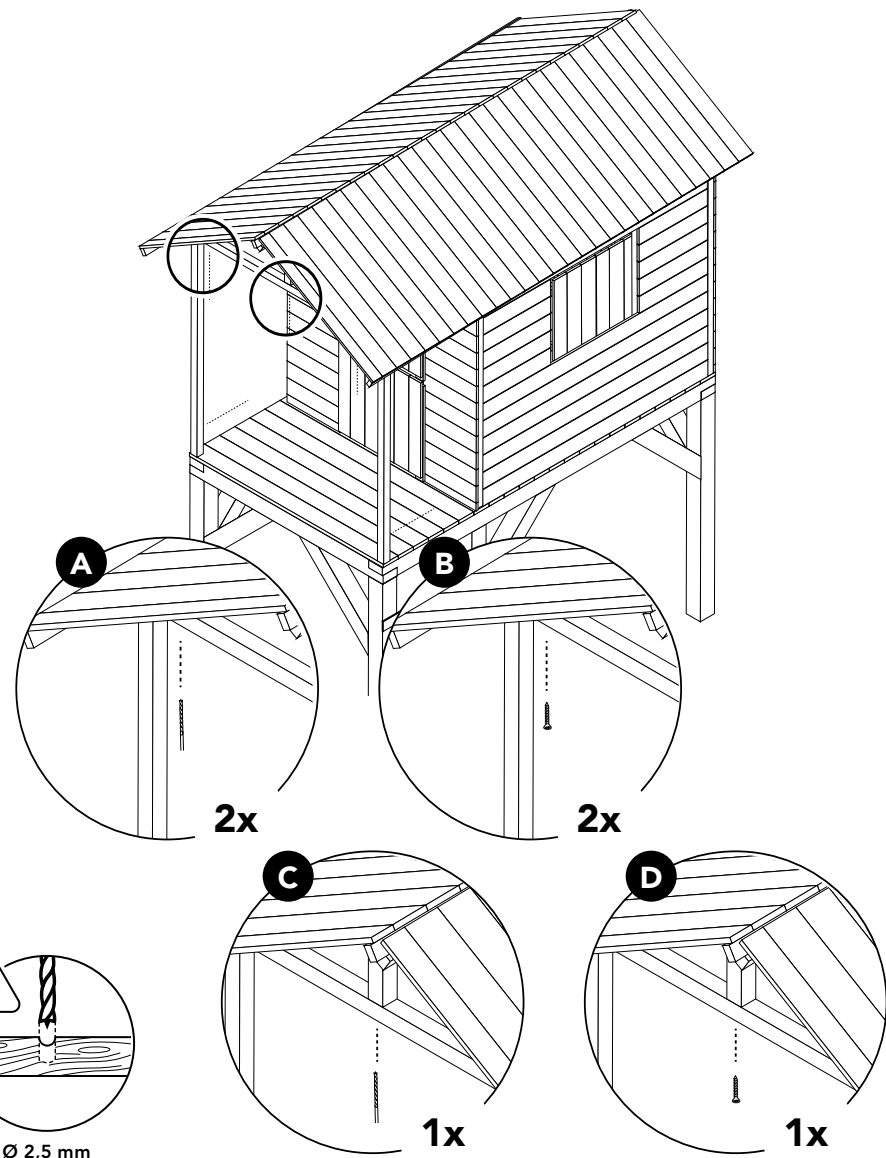
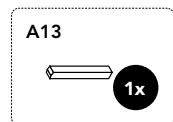
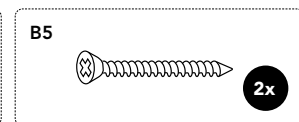
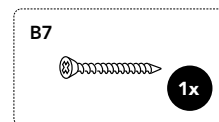


Ø 2,5 mm

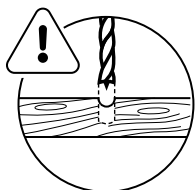
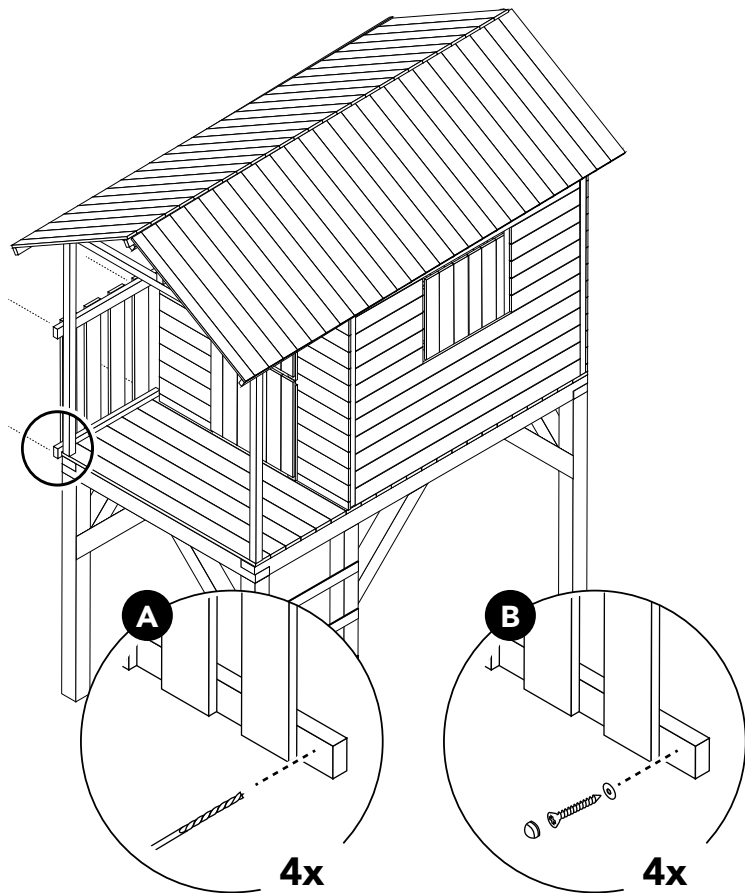
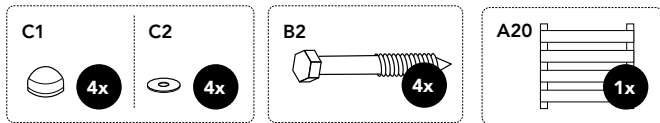
16



17

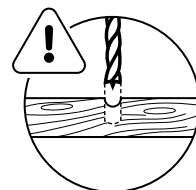
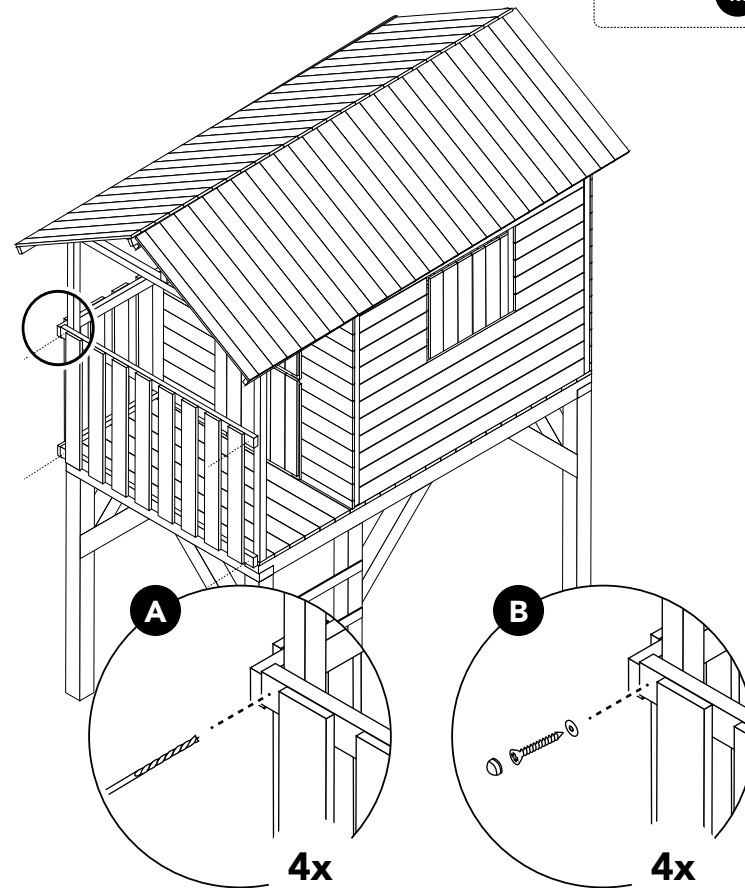
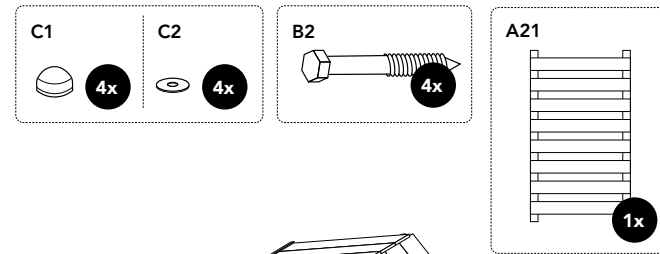


18



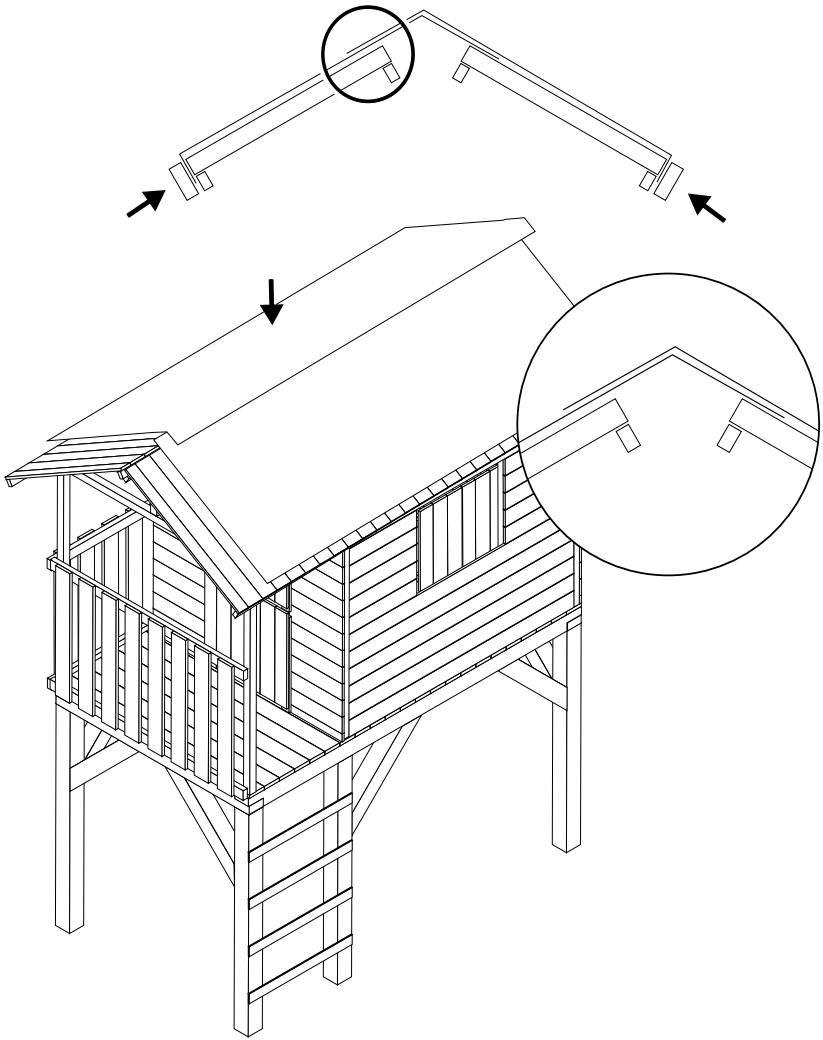
Ø 2,5 mm

19

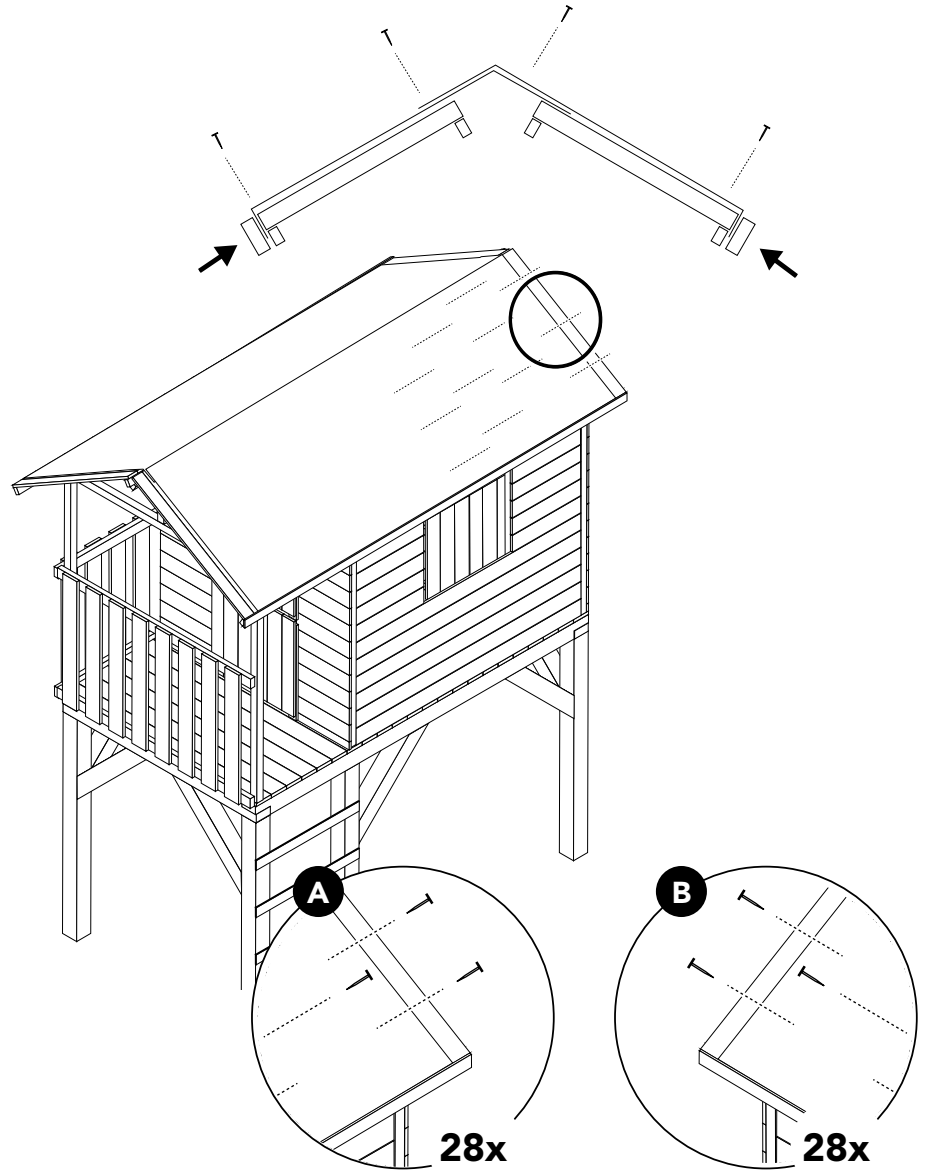


Ø 2,5 mm

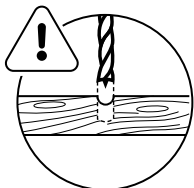
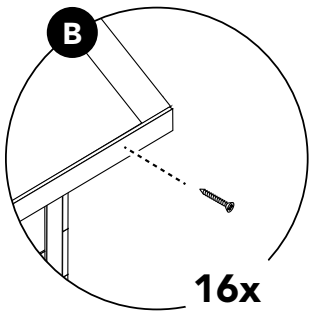
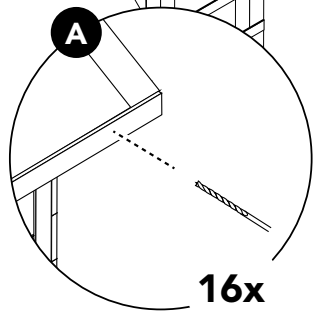
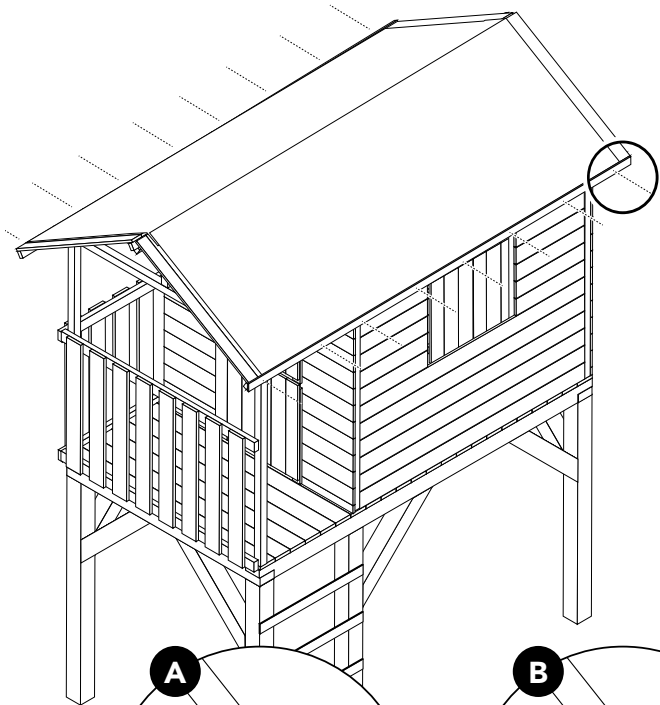
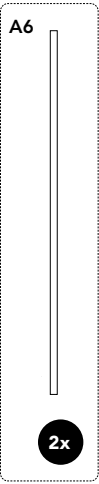
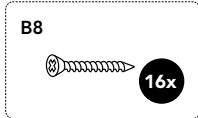
20



21

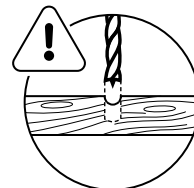
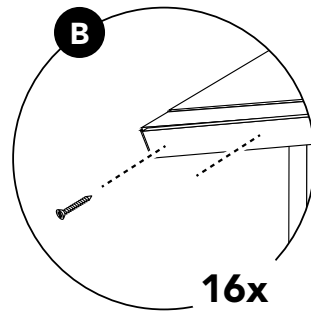
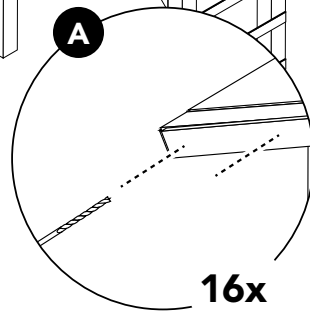
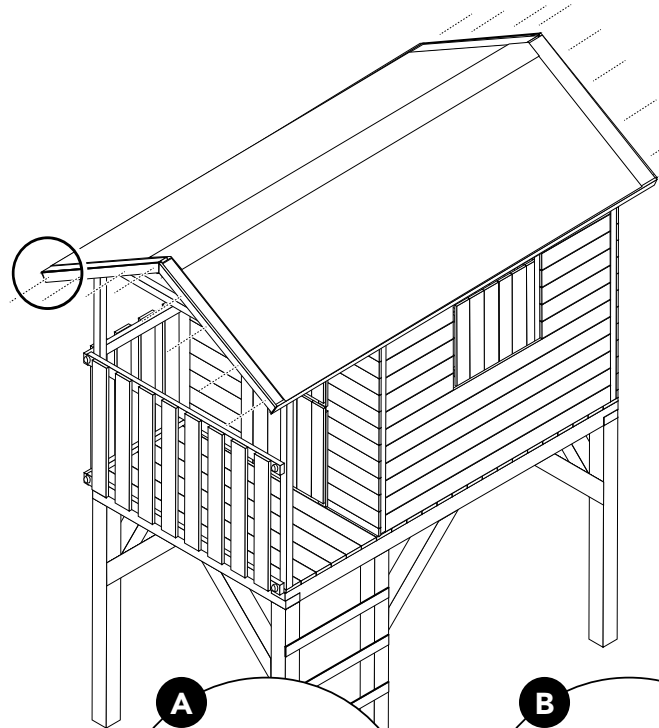
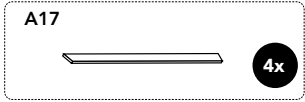
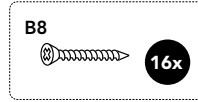


22



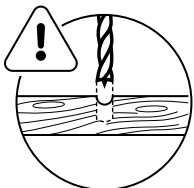
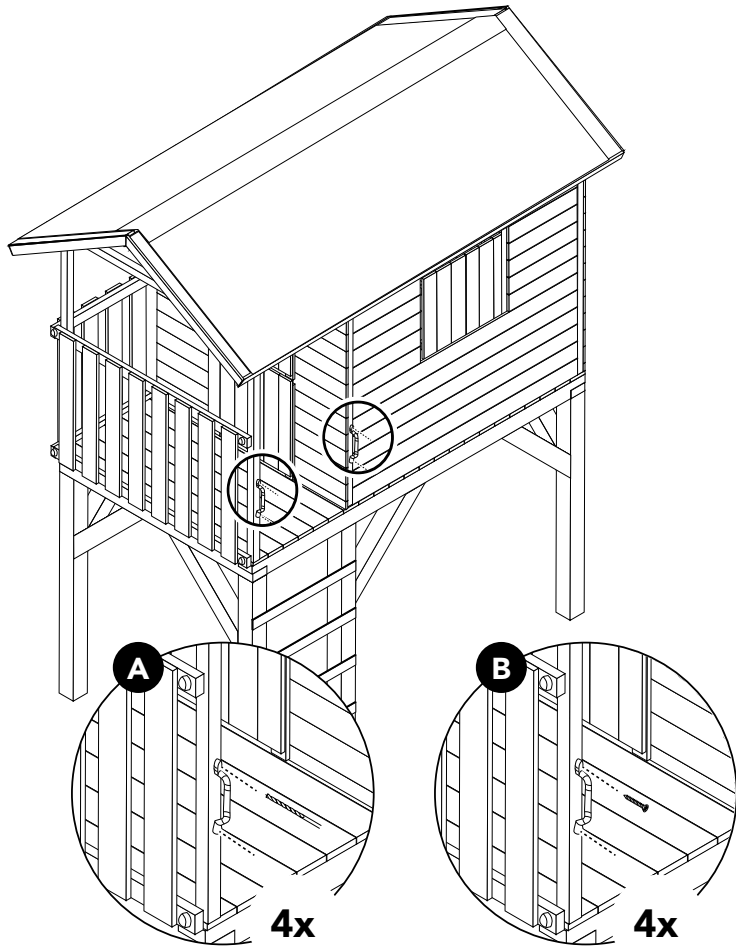
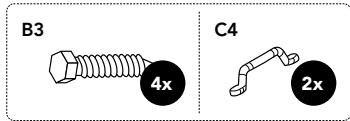
Ø 2,5 mm

23

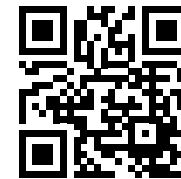


Ø 2,5 mm

24



Ø 2,5 mm



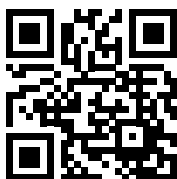
Scan for terms and conditions

+31(0)318 692 221
www.swingking.nl

Swing King IS A BRAND OF:

HAPRO INTERNATIONAL





Scan for terms
and conditions

+31(0)318 692 221
www.swingking.nl

Swing King IS A BRAND OF:

HAPRO INTERNATIONAL

Morsestraat 6, 6716 AH Ede - The Netherlands

