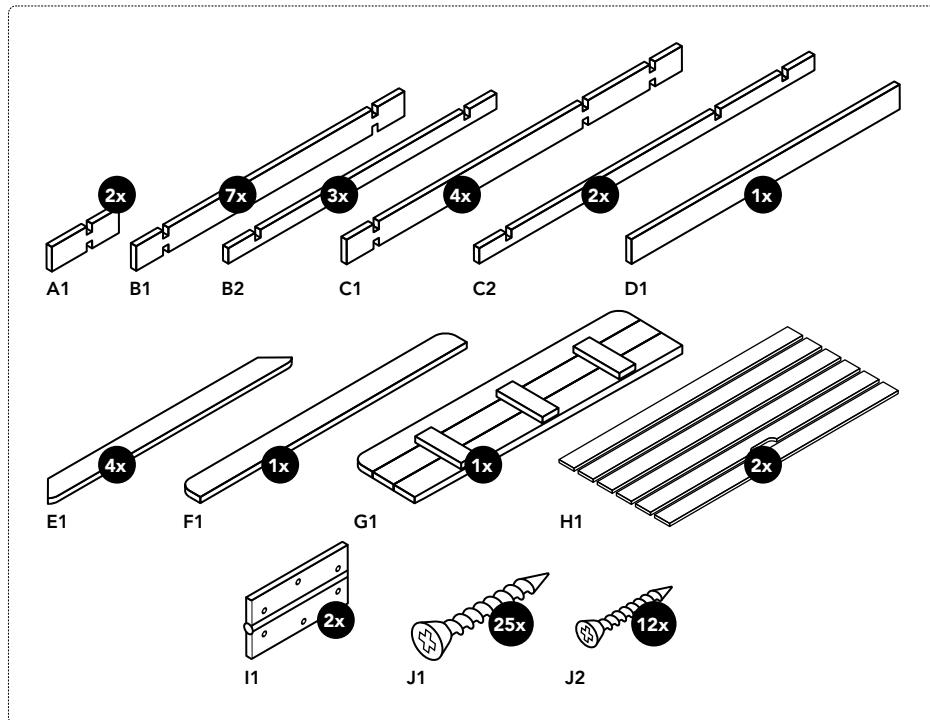
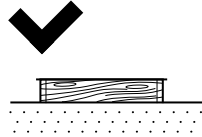
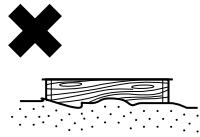
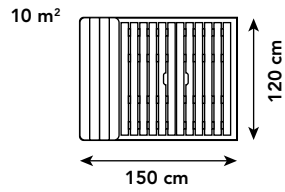
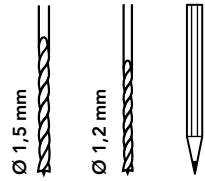
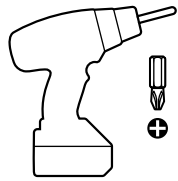


# Jade

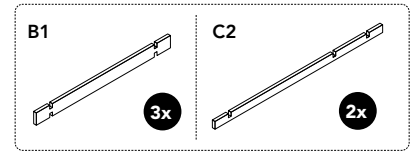
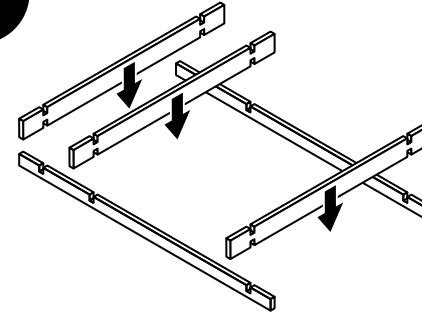
ART. NR. 7850033



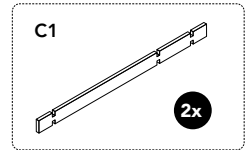
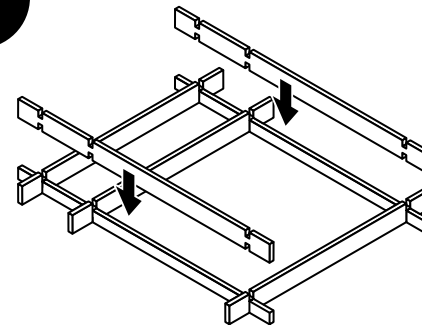
# Jade



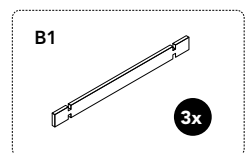
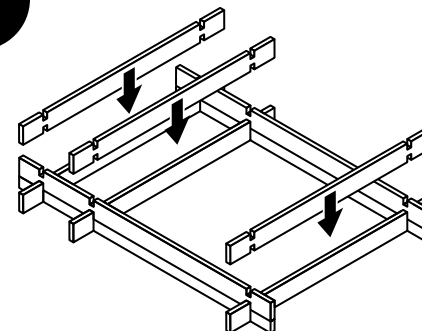
**1**



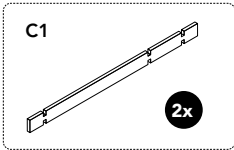
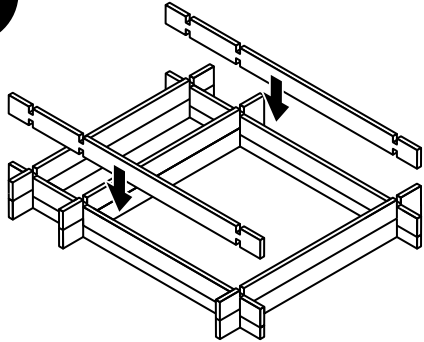
**2**



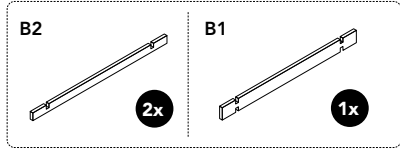
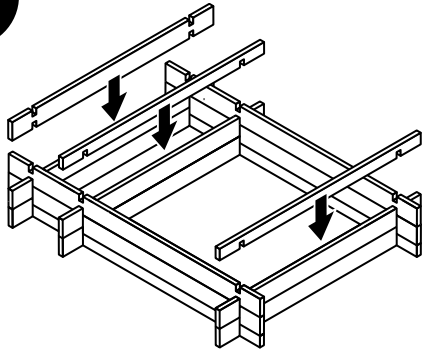
**3**



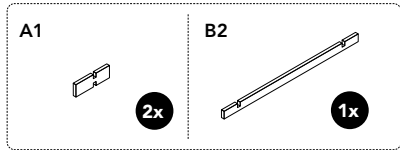
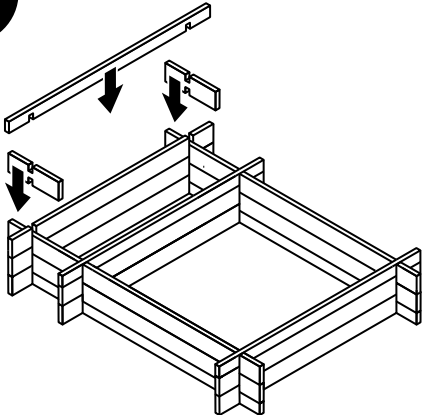
4



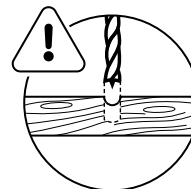
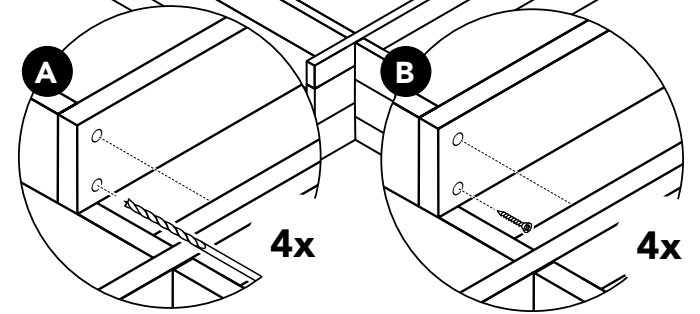
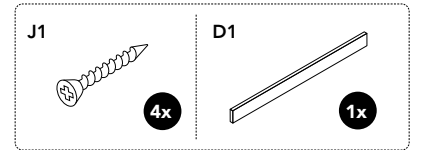
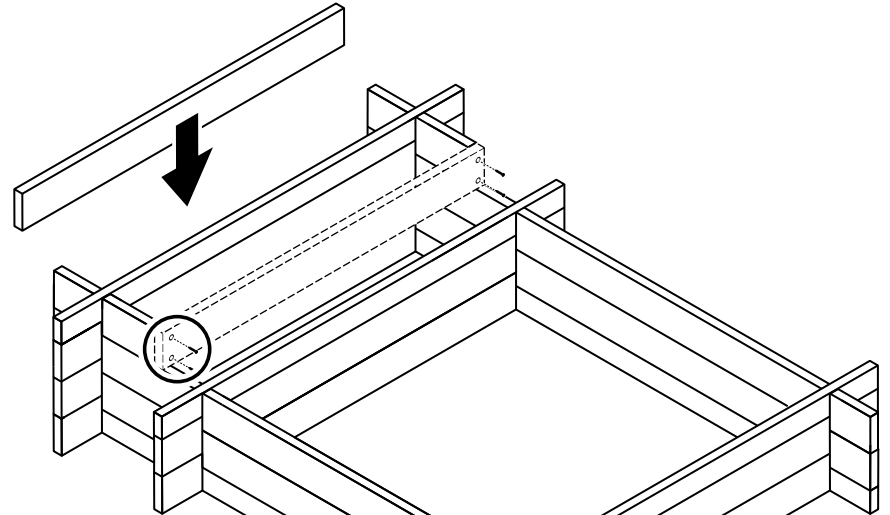
5



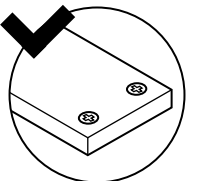
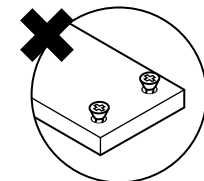
6



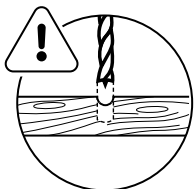
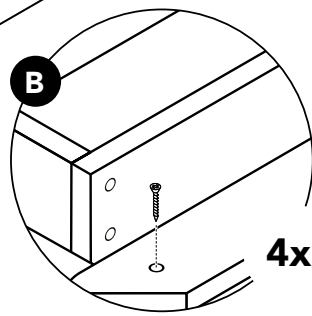
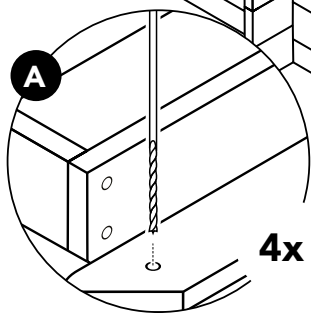
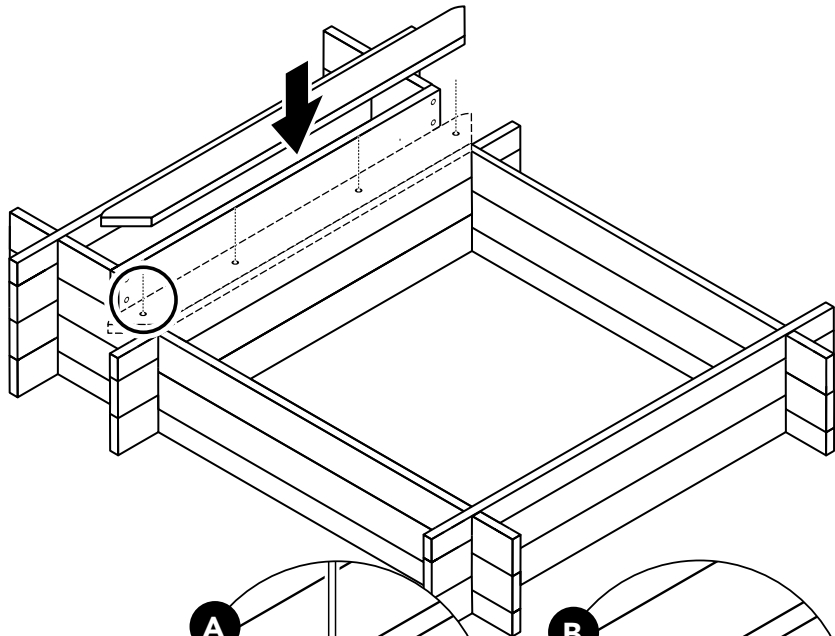
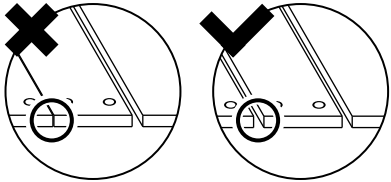
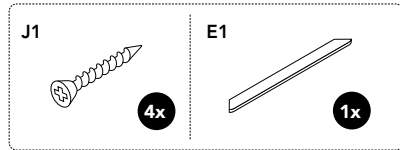
7



Ø 1,5 mm



8

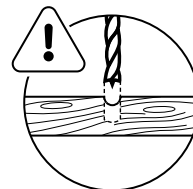
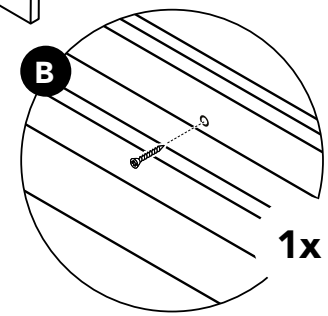
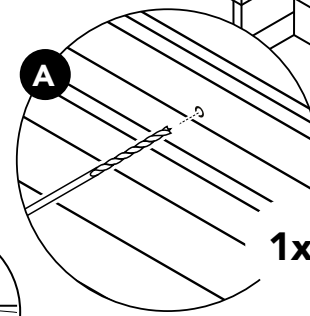
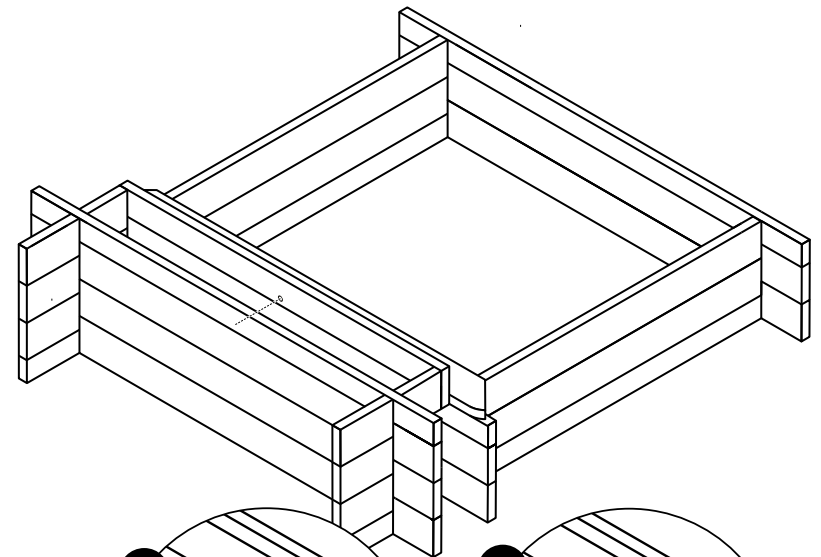
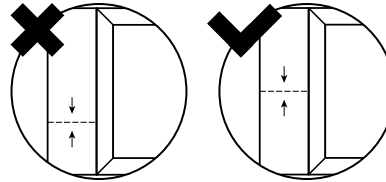
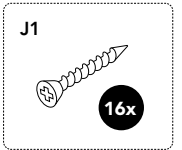


Ø 1,5 mm

4x

4x

9



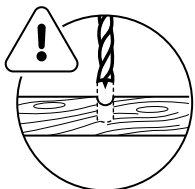
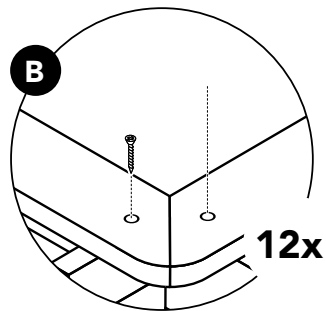
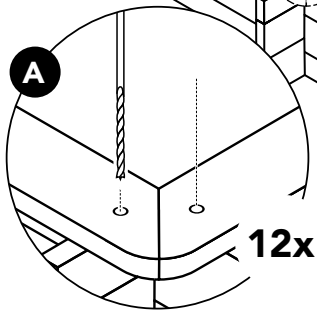
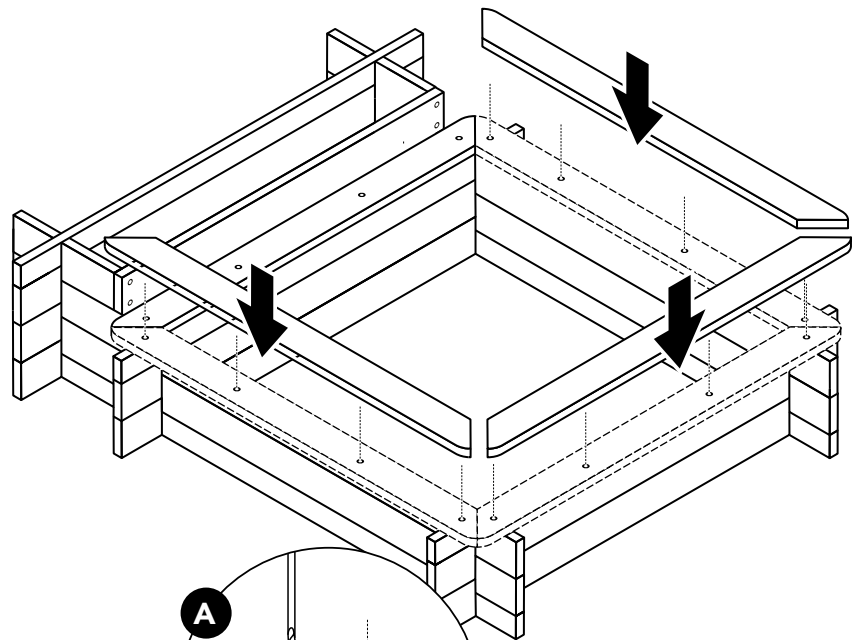
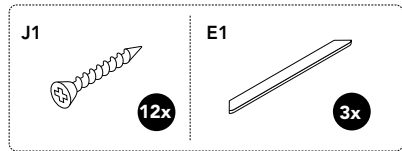
Ø 1,5 mm

1x

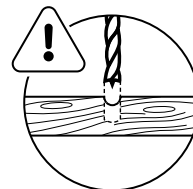
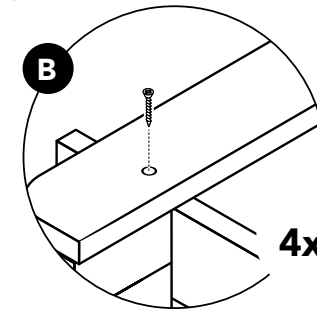
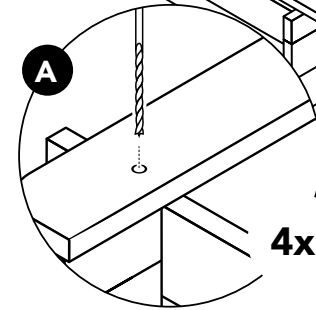
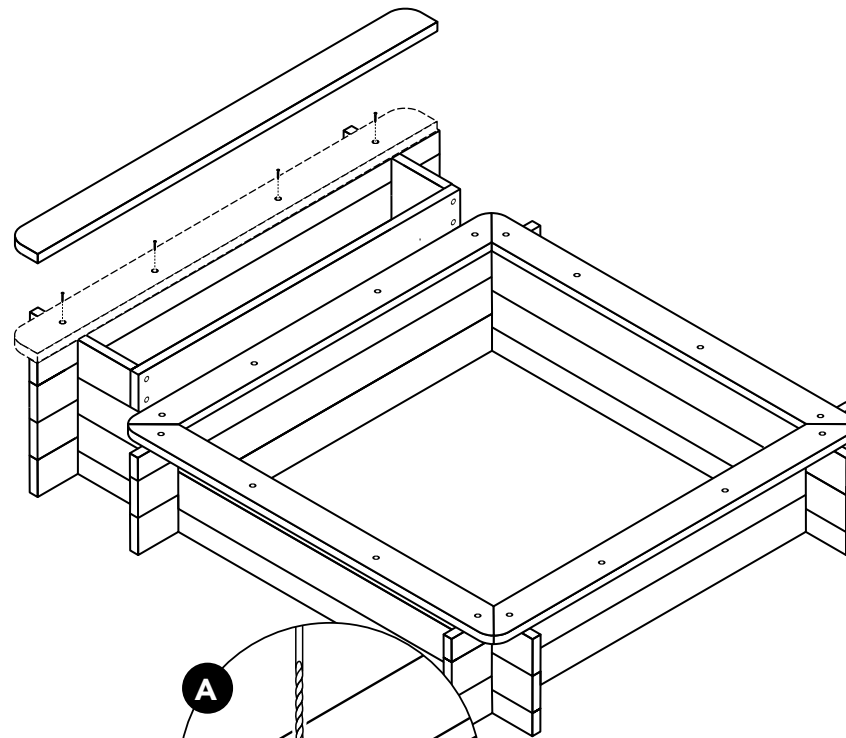
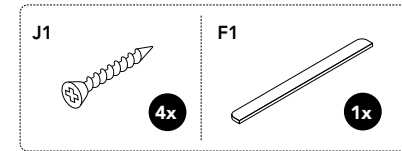
1x



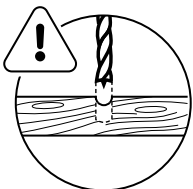
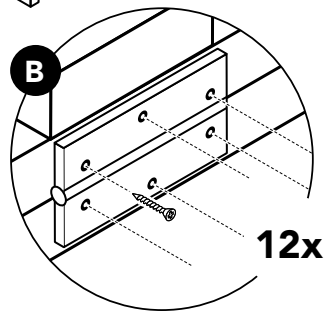
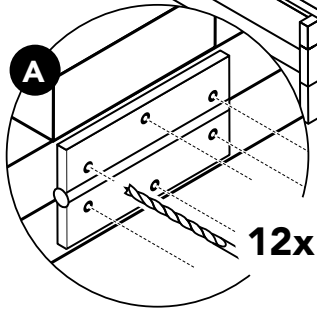
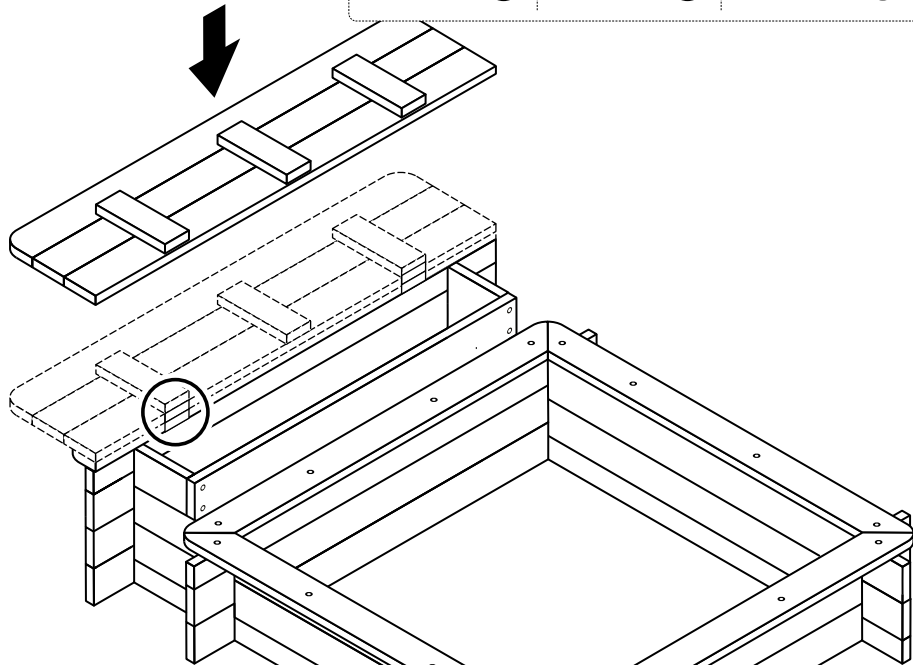
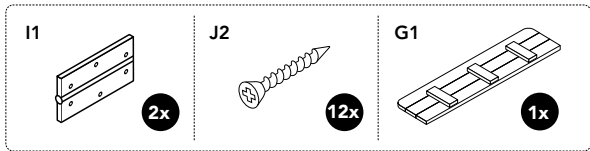
10



11

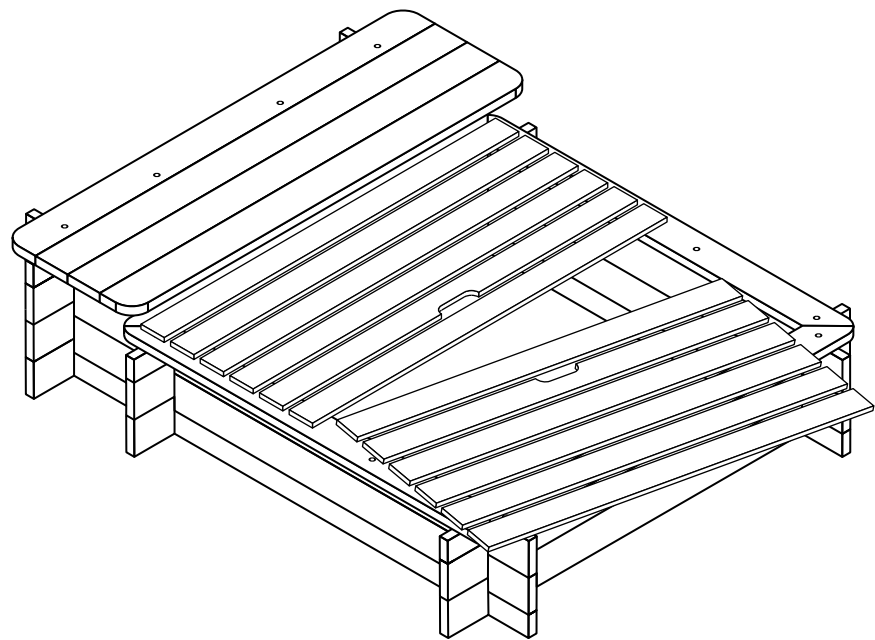
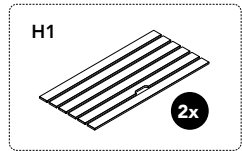


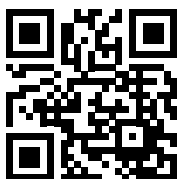
12



Ø 1,2 mm

13





Scan for terms  
and conditions

+31(0)318 692 221  
[www.swingking.nl](http://www.swingking.nl)

Swing King IS A BRAND OF:

**HAPRO** INTERNATIONAL

Morsestraat 6, 6716 AH Ede - The Netherlands

UK  
CE

