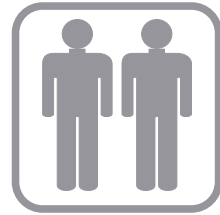
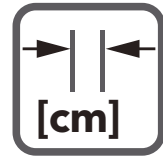


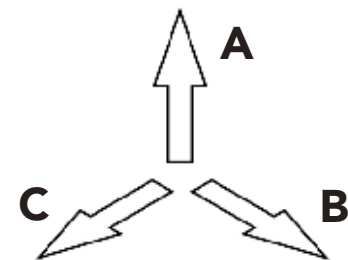
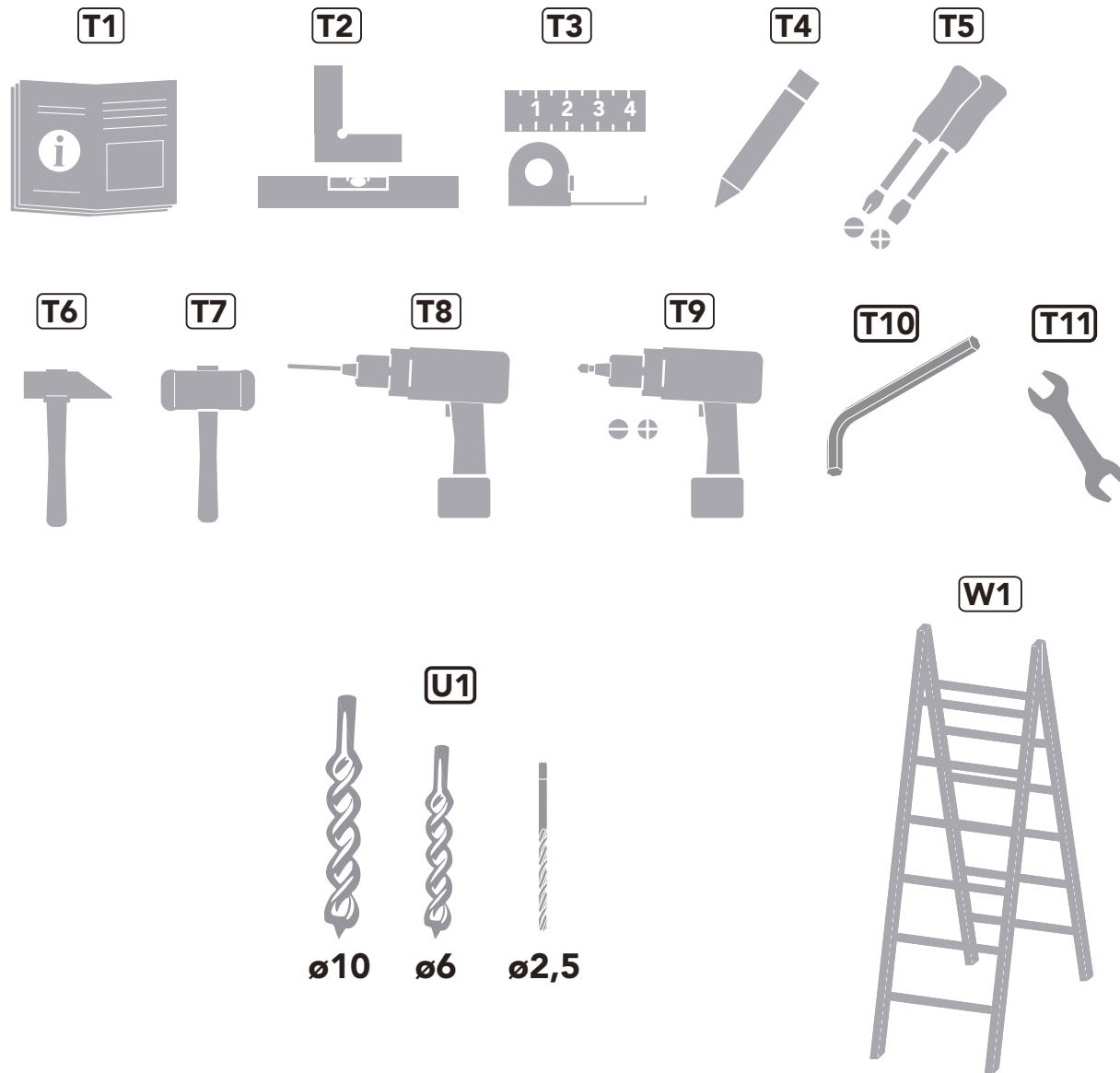
Irma Small

ART. NR. 7850050

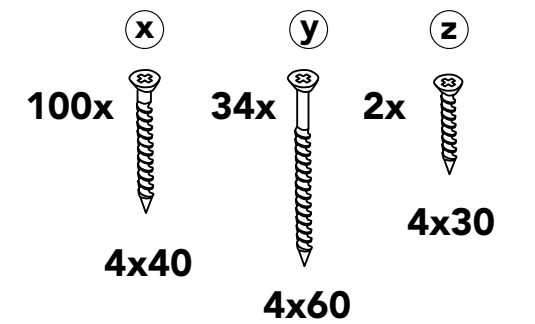
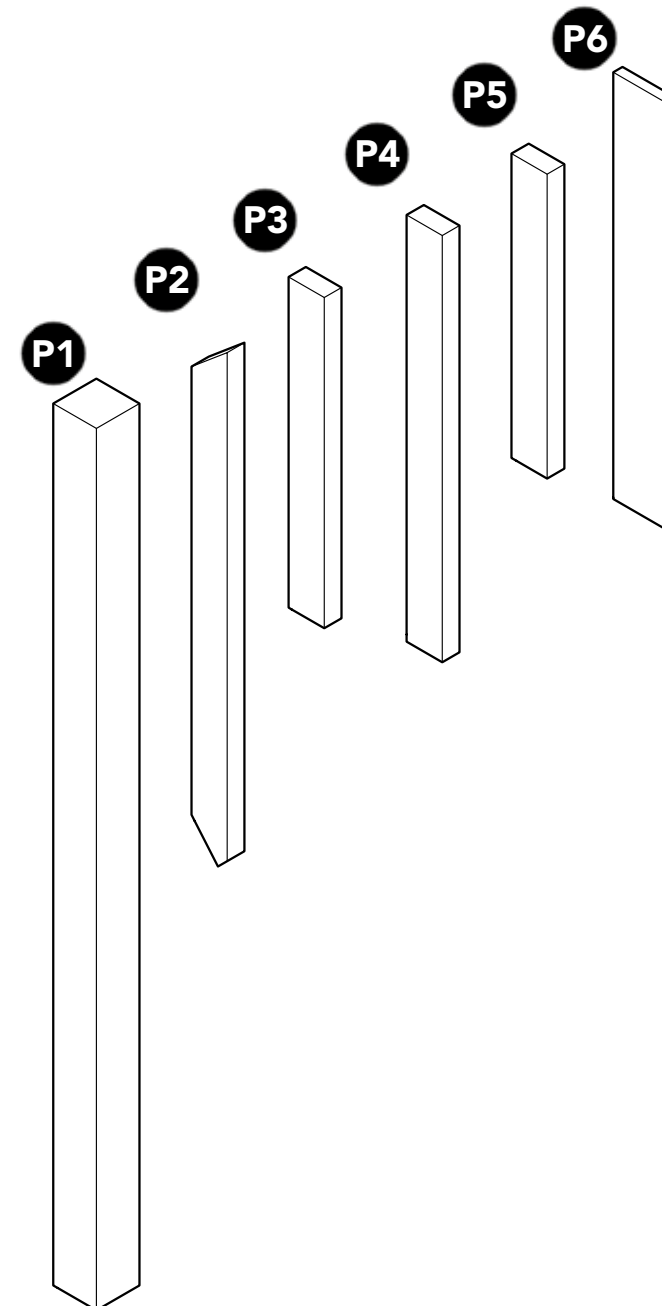


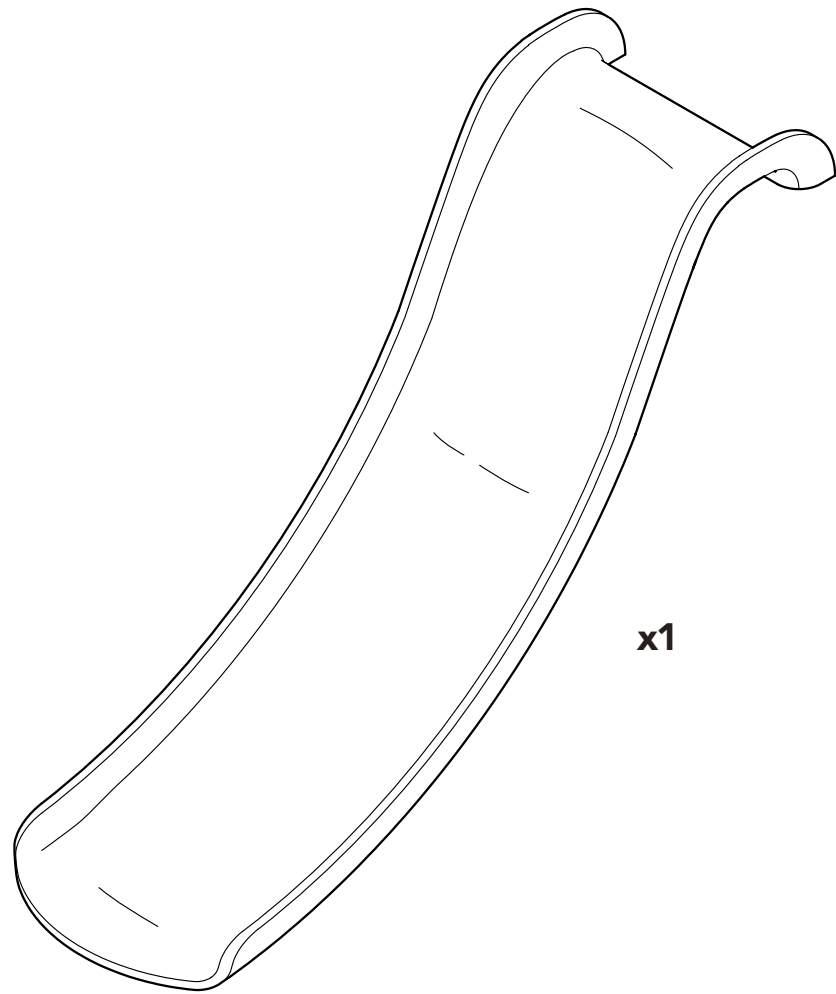
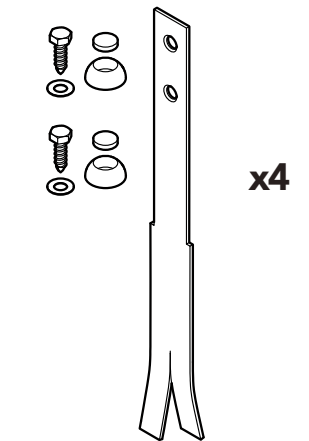
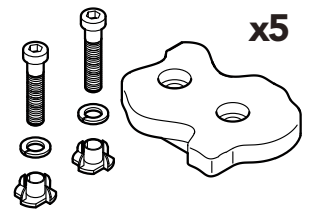
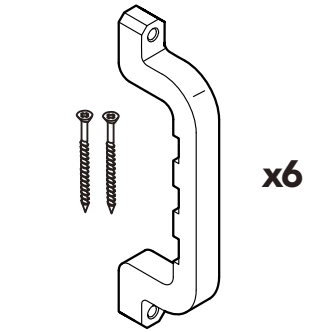


P1	70	70	1200	4
P2	28	58	730	2
P3	28	58	465	3
P4	28	58	600	5
P5	28	58	428	2
P6	15	90	600	22
x	4x40			100
y	4 x 60			34
z	4x30			2

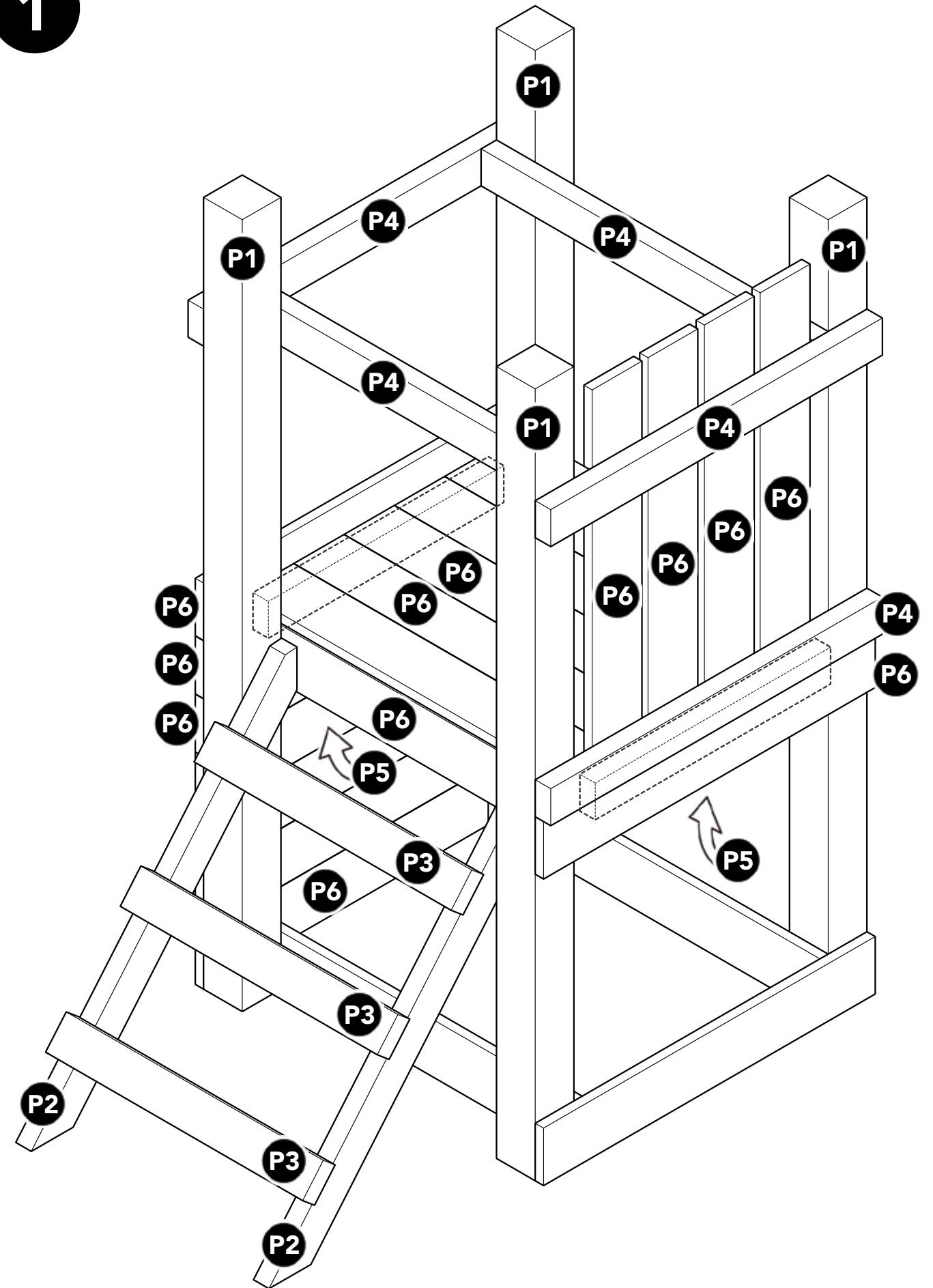


A= 124 cm
B= 65 cm
C= 180 cm



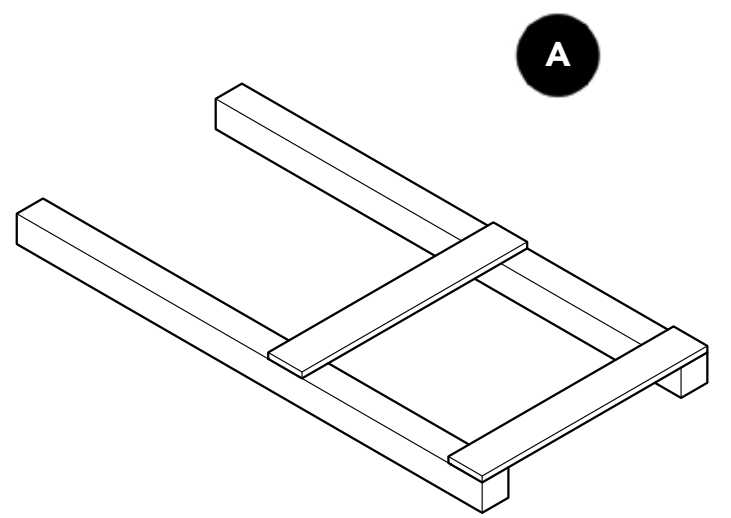
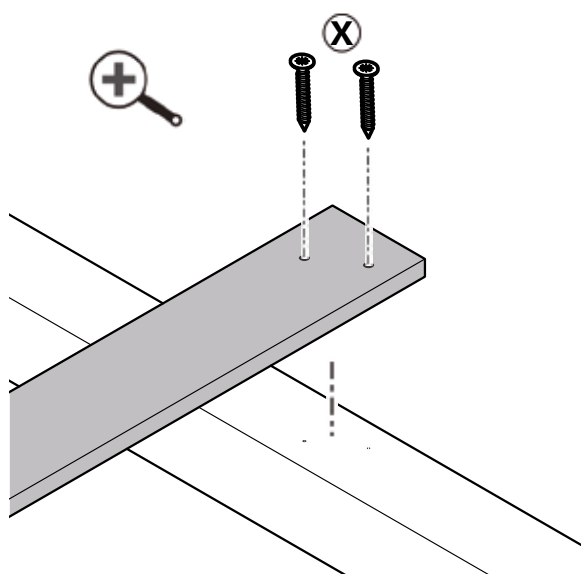
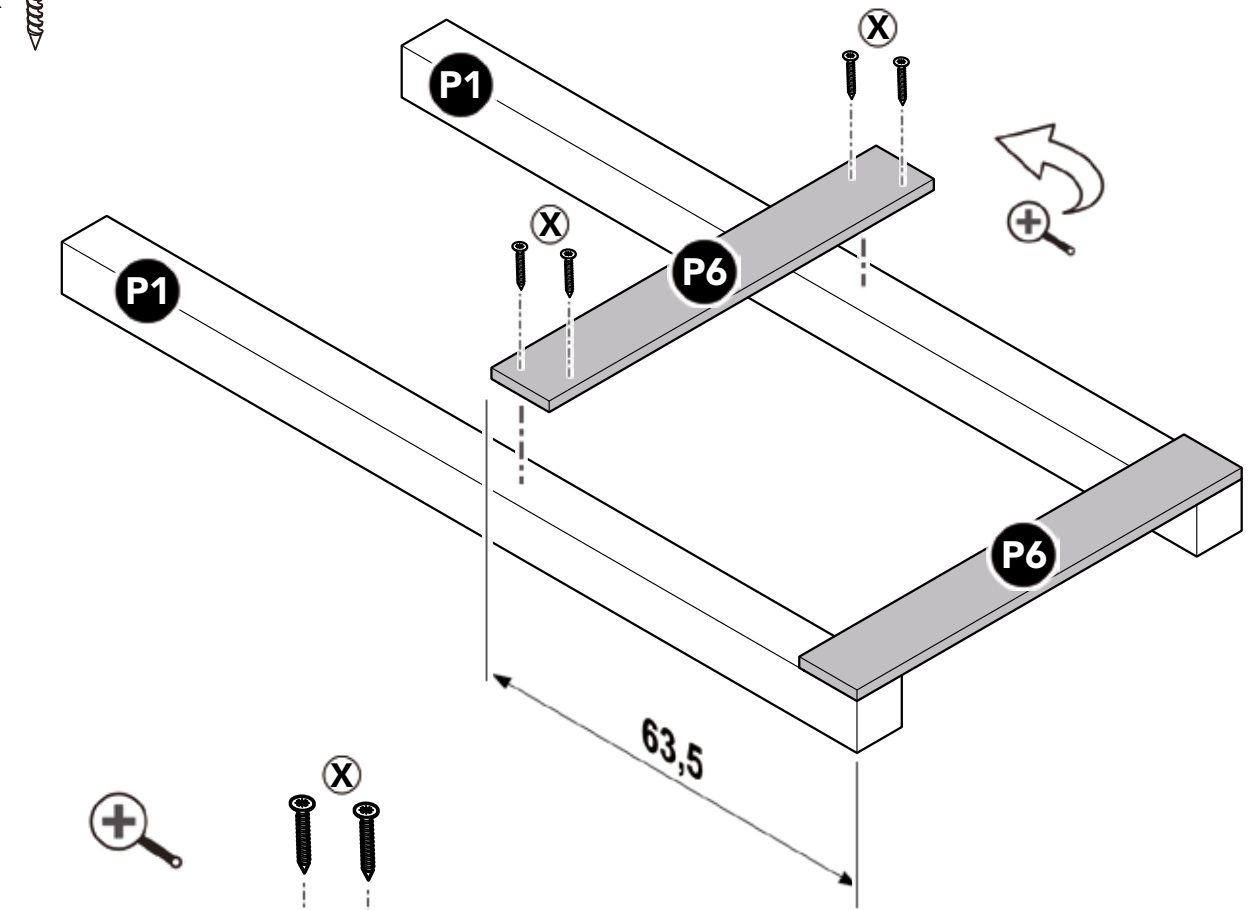
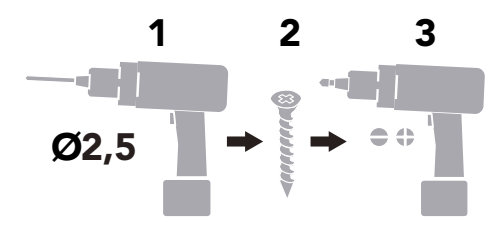


1



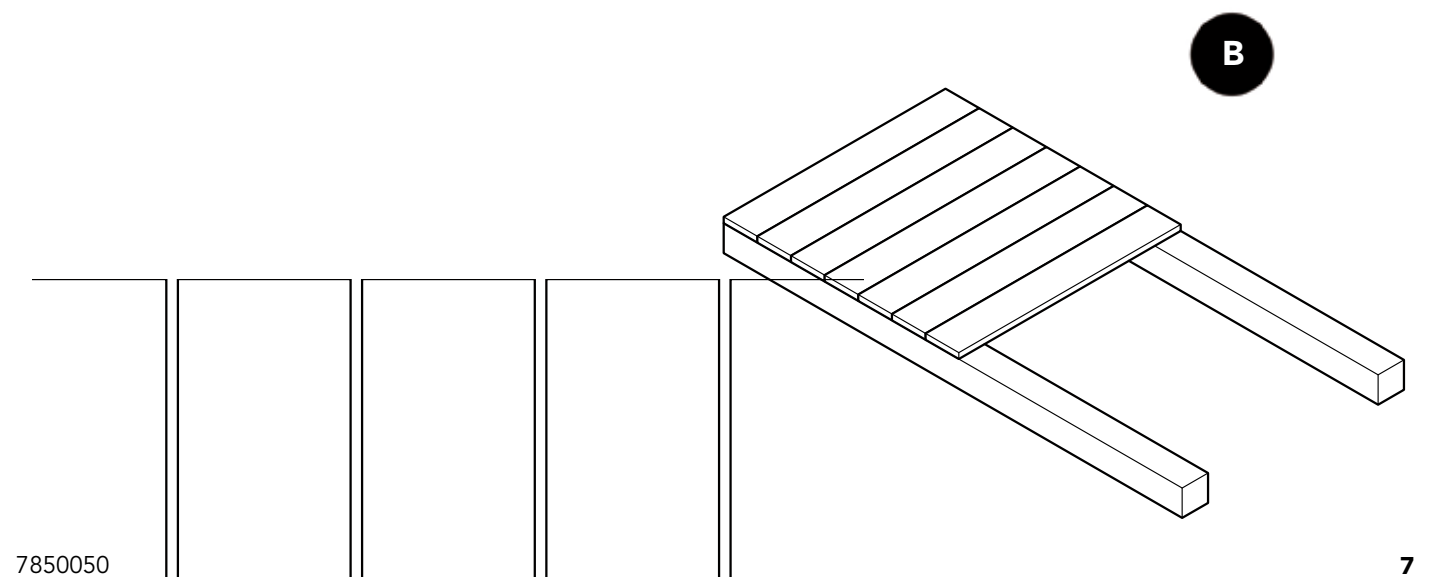
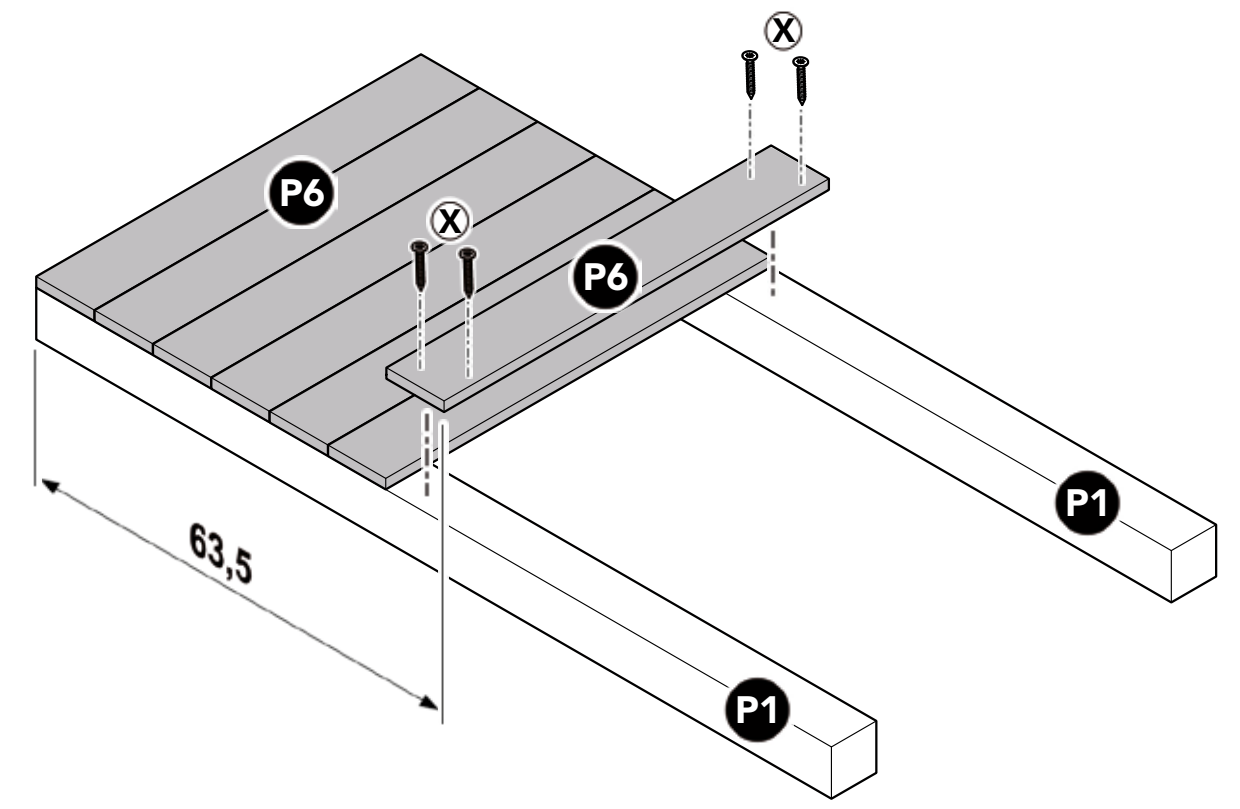
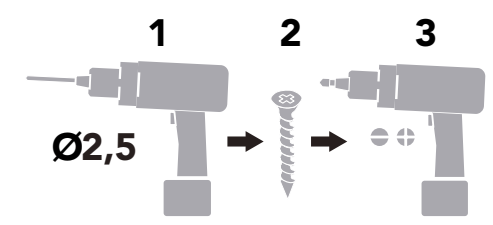
1 A

x
8x



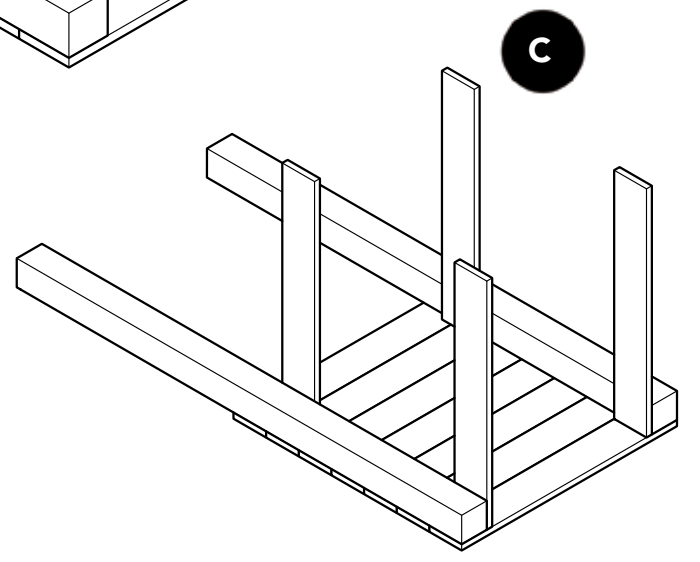
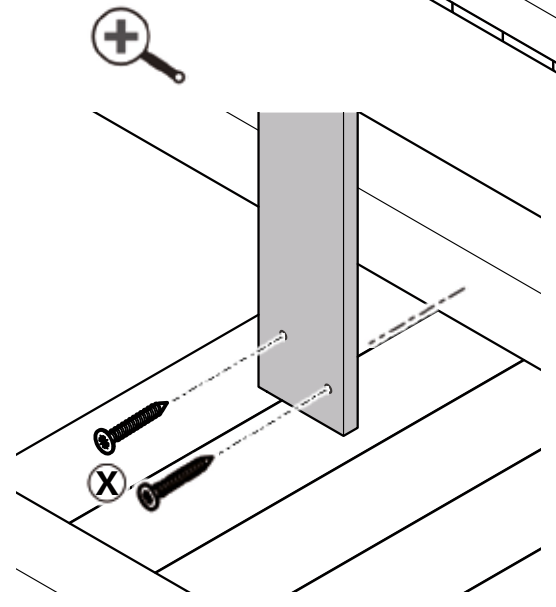
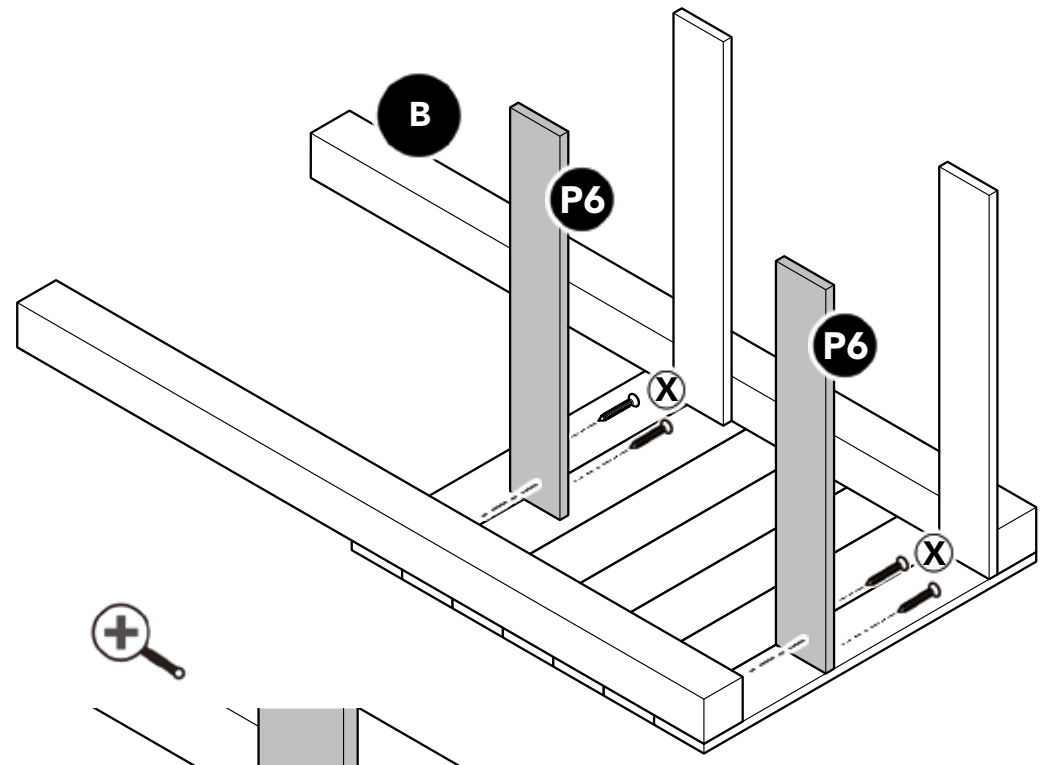
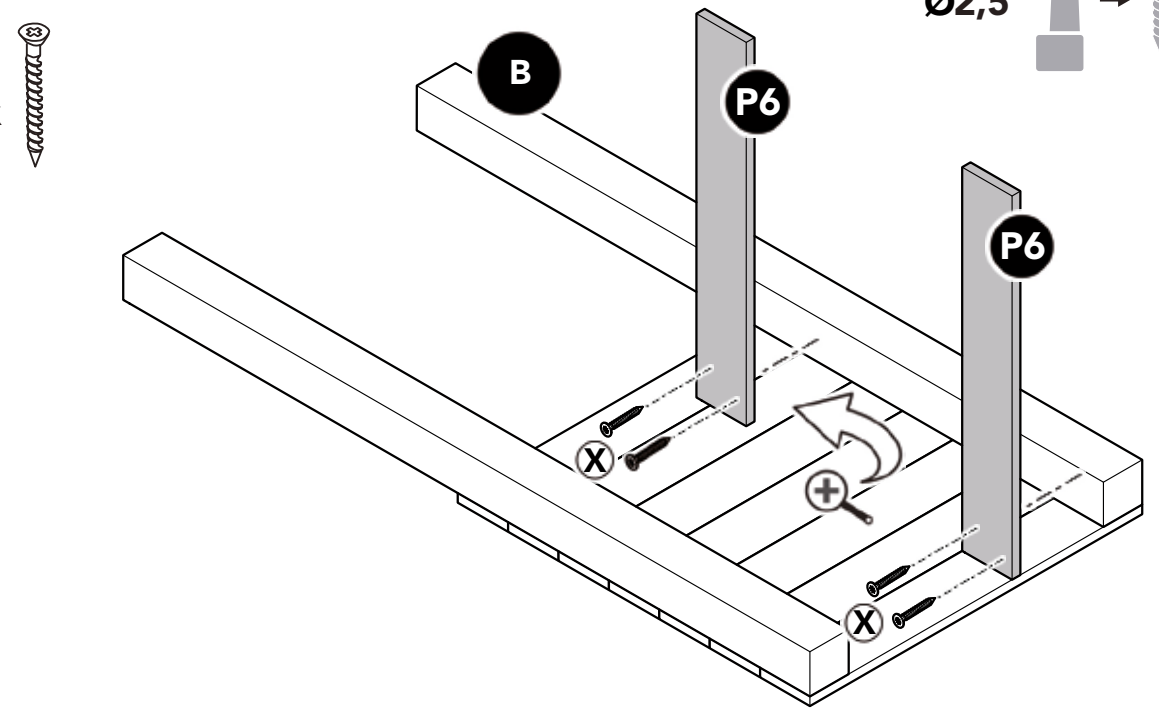
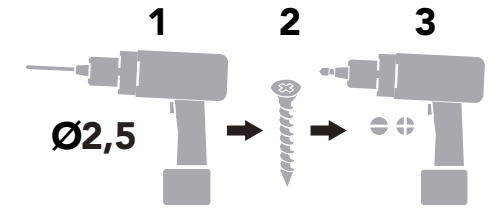
1 B

x
28x



1 C

8x
Ø2,5

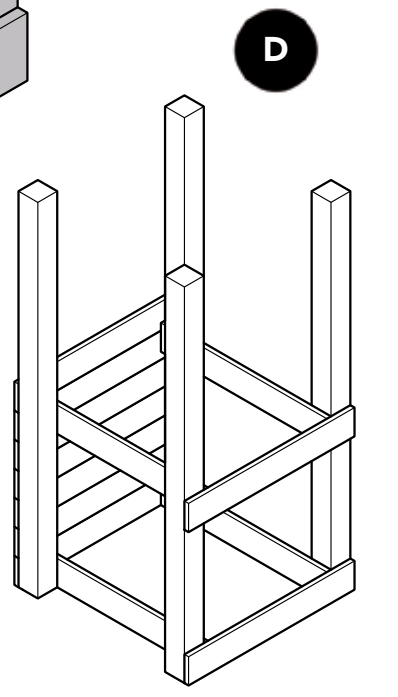
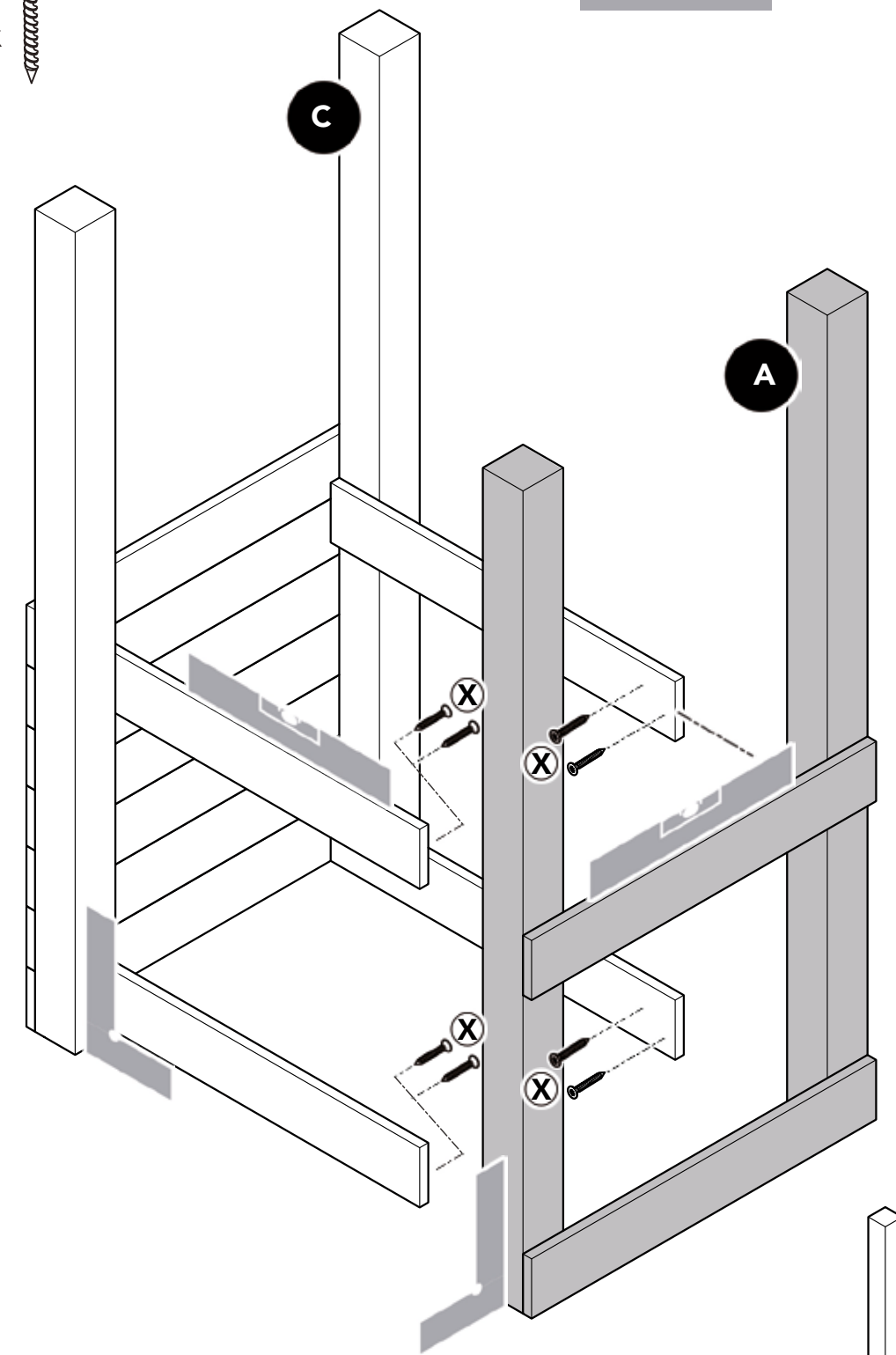
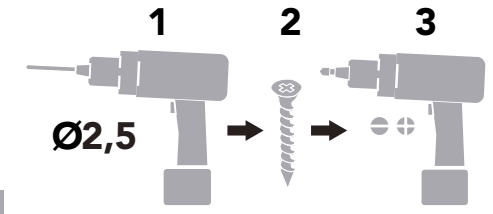


1 D

8x
Ø2,5

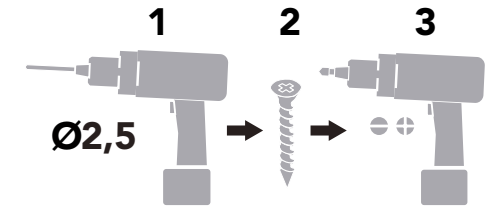
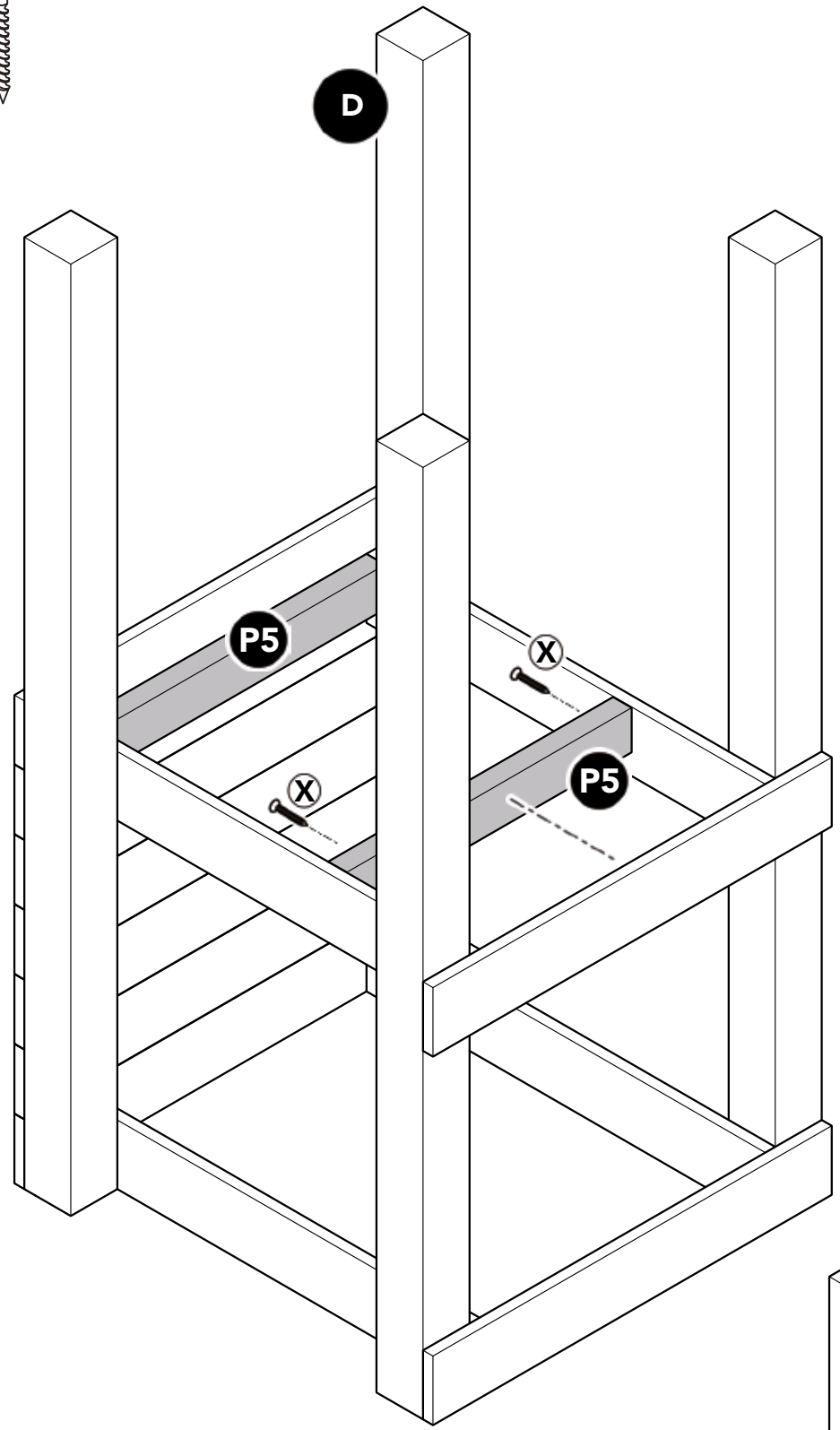


T2



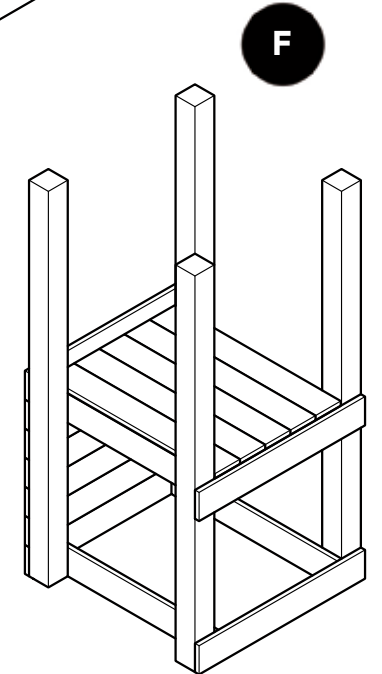
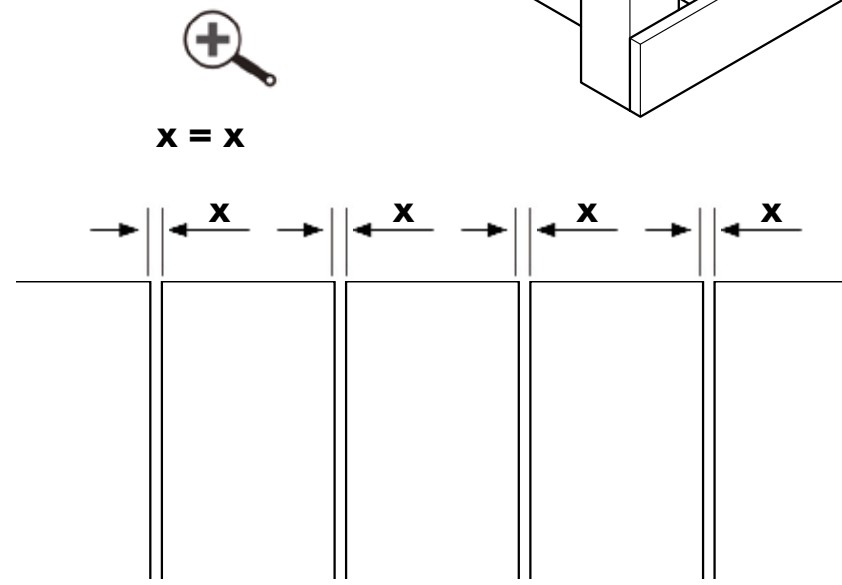
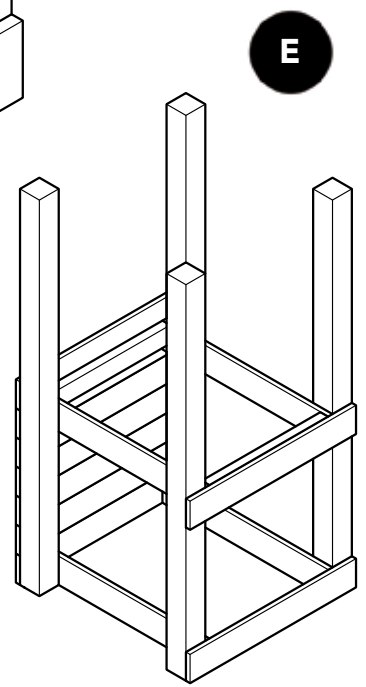
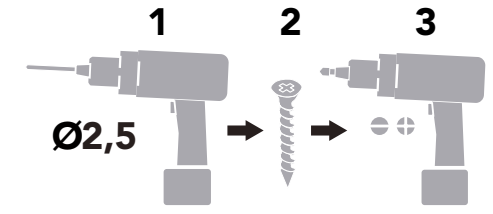
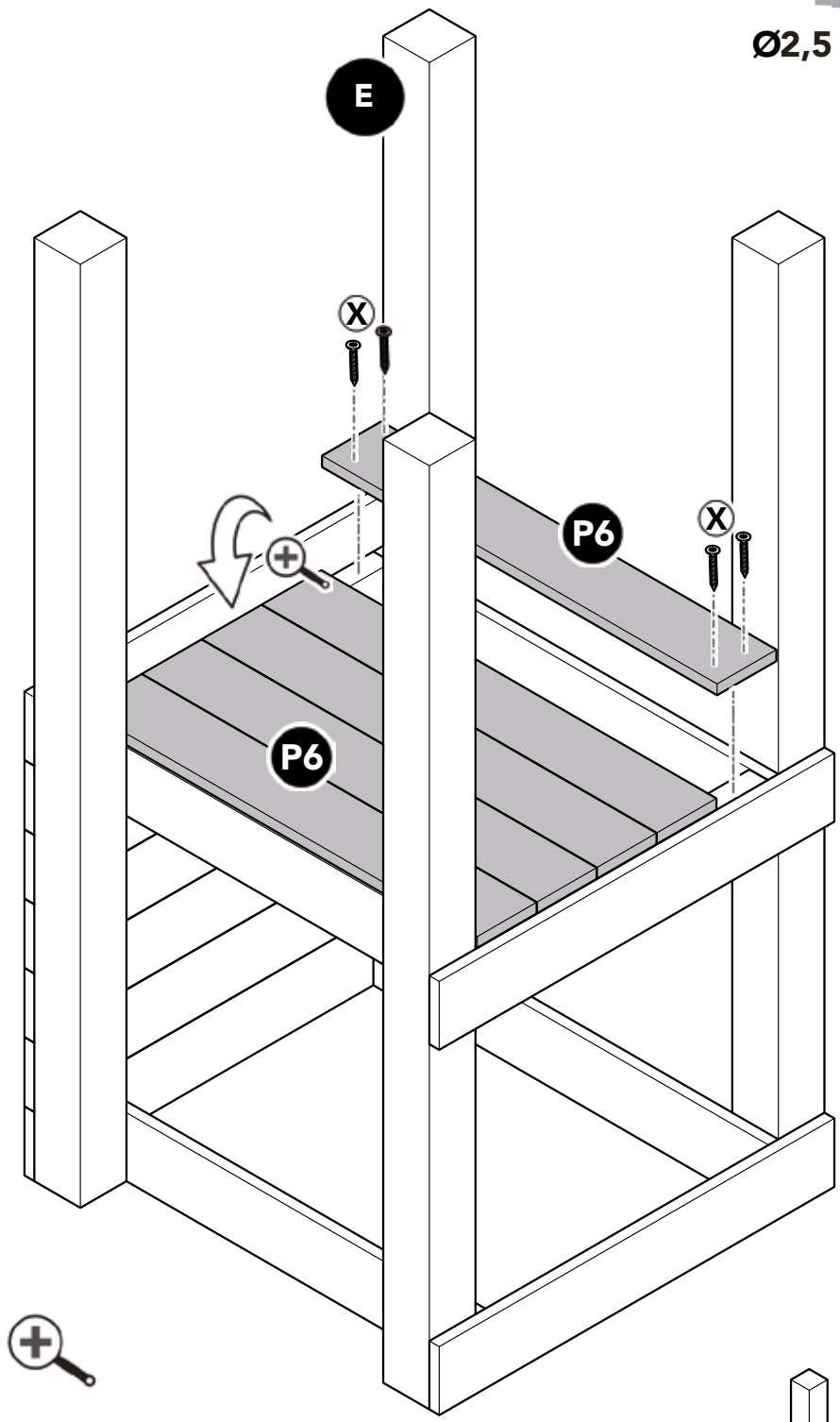
1 E

x
4x



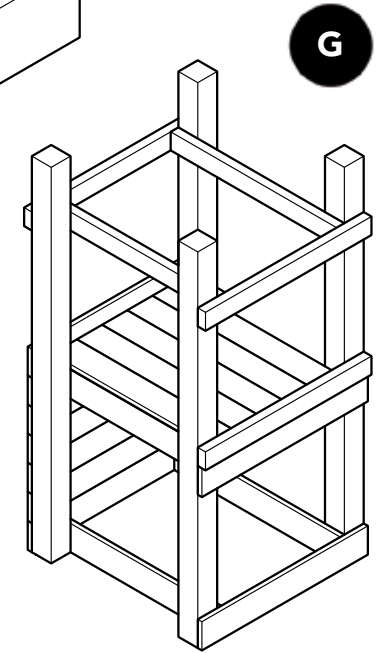
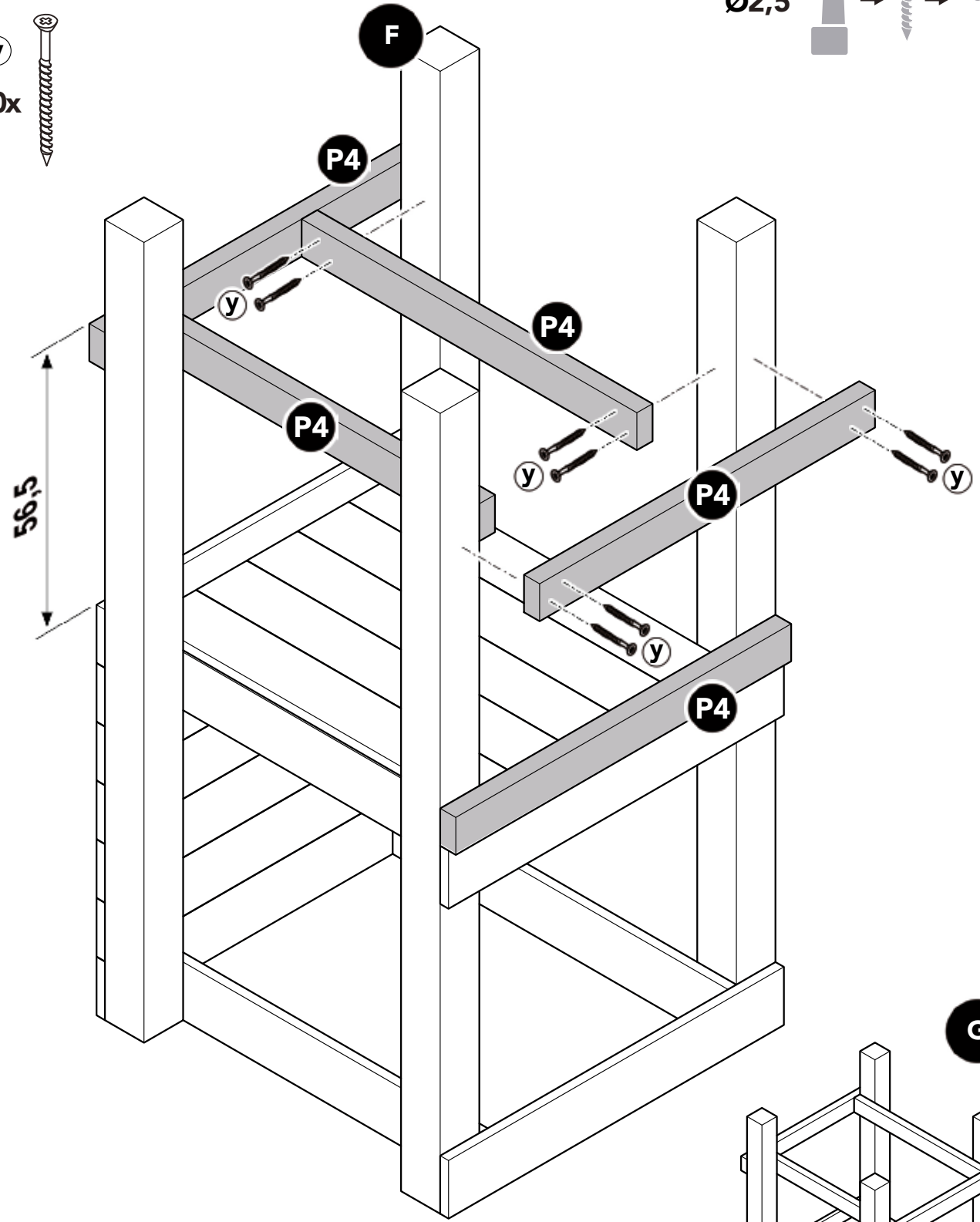
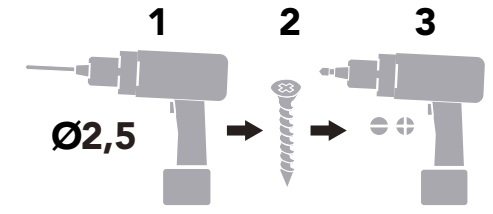
1 F

x
24x



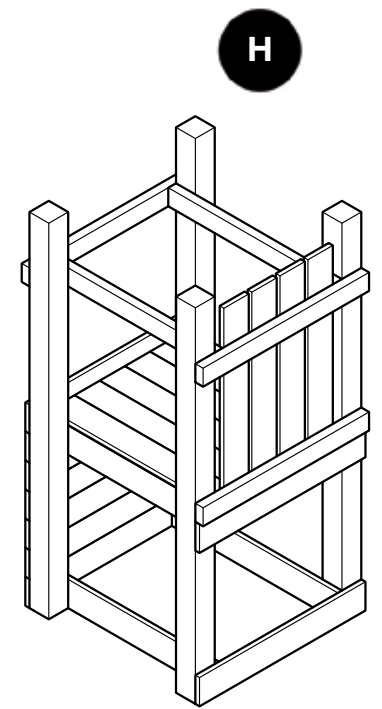
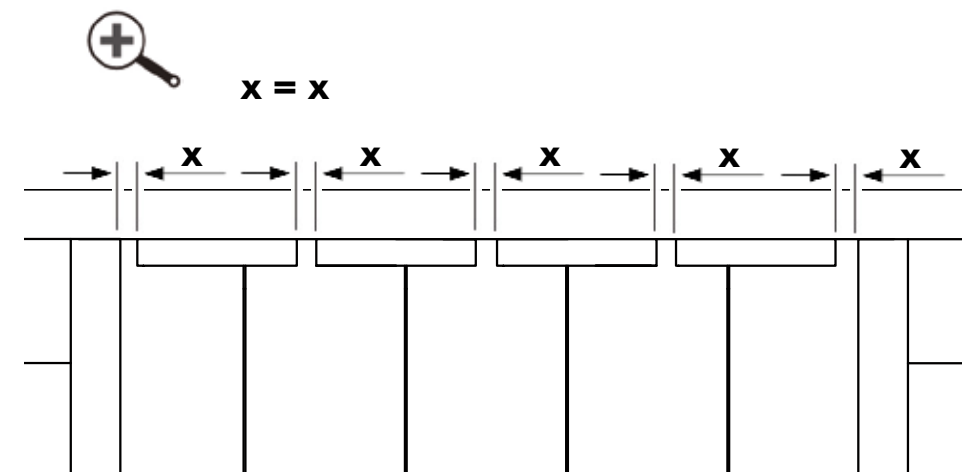
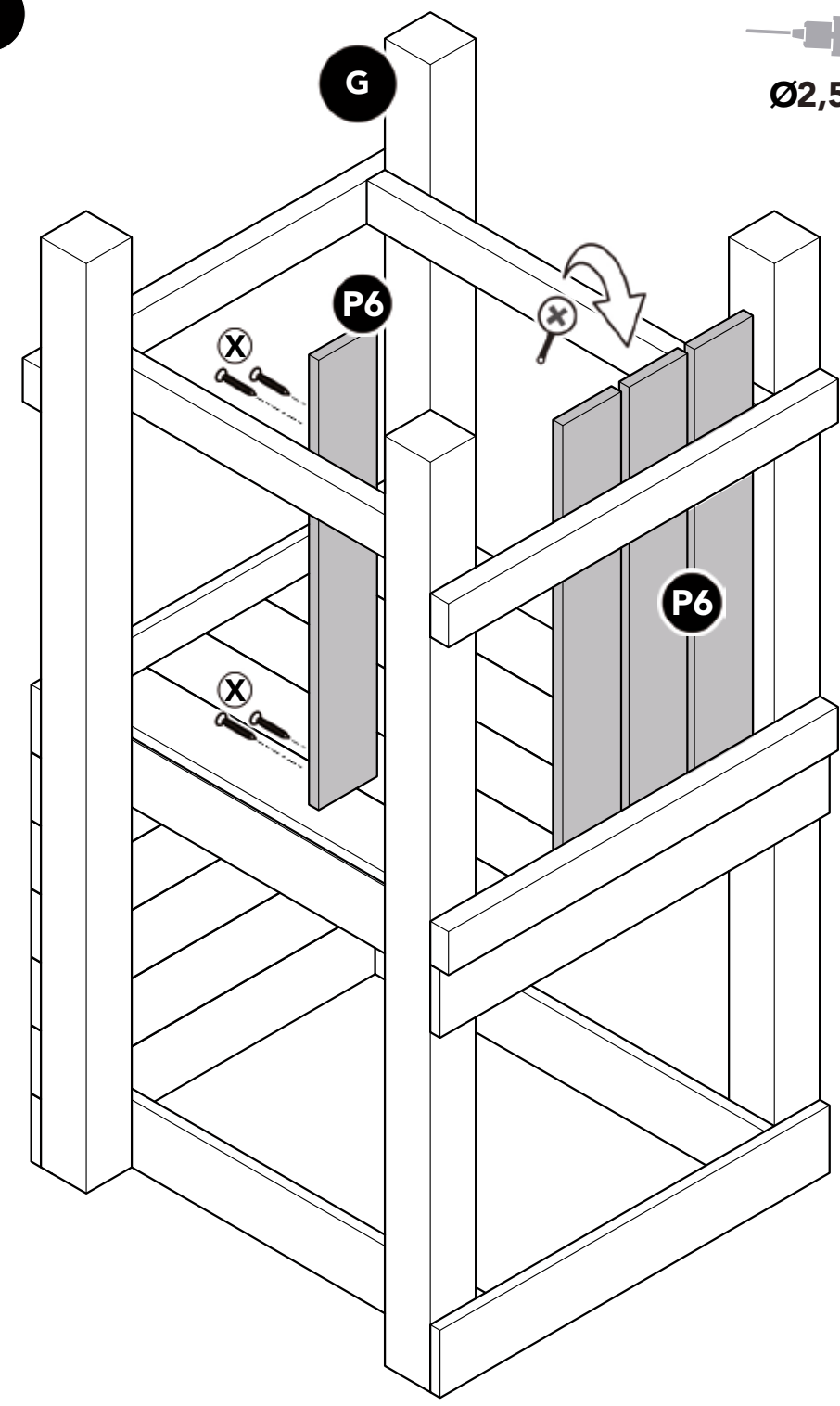
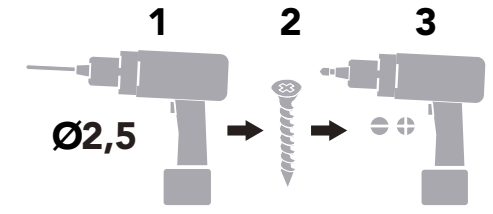
1 G

y
20x

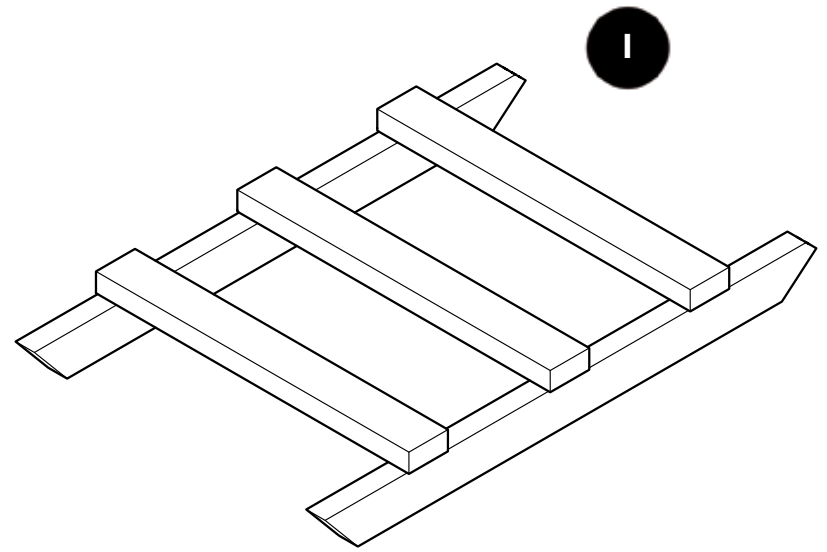
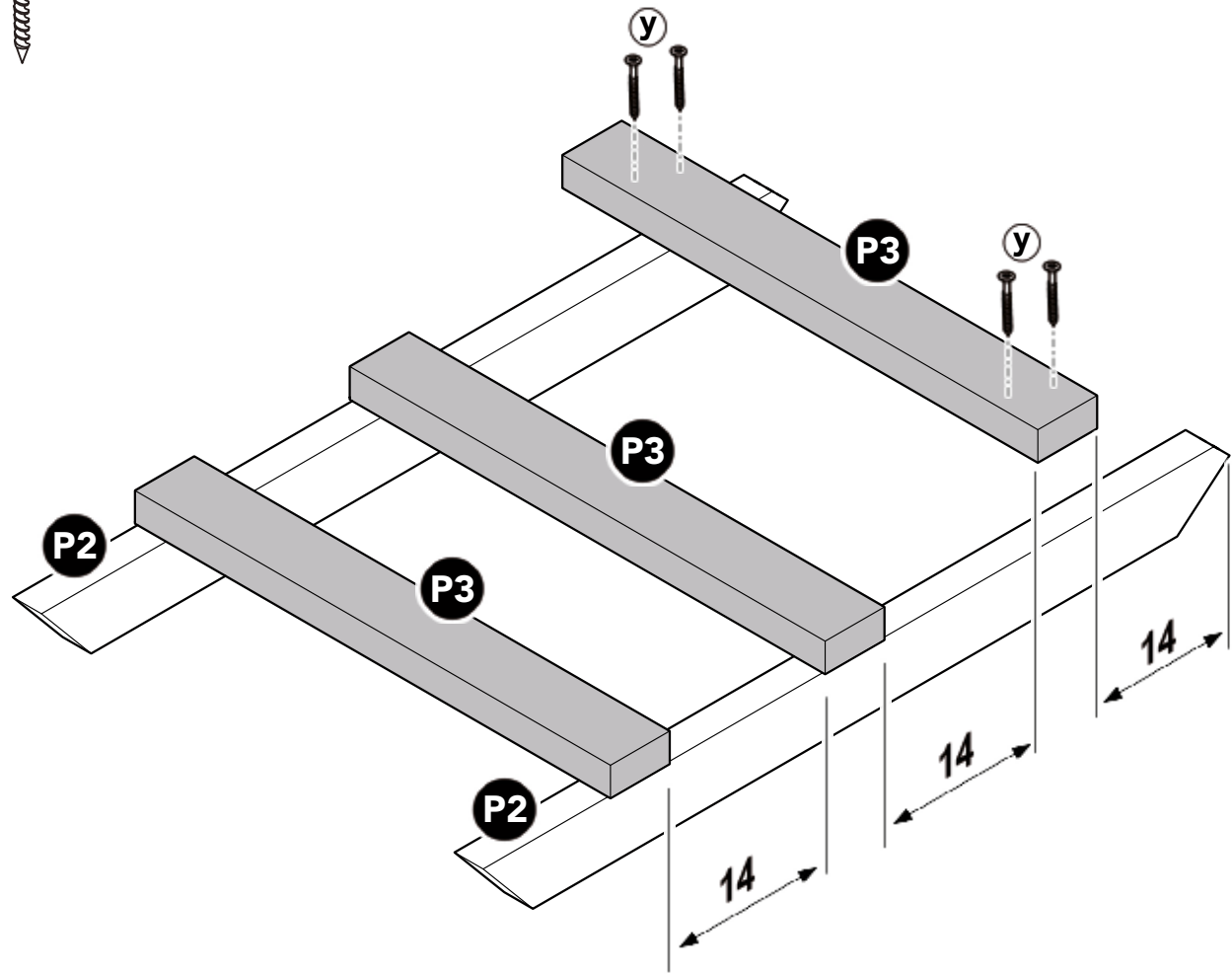
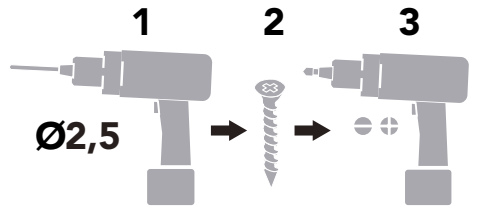
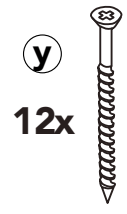


1 H

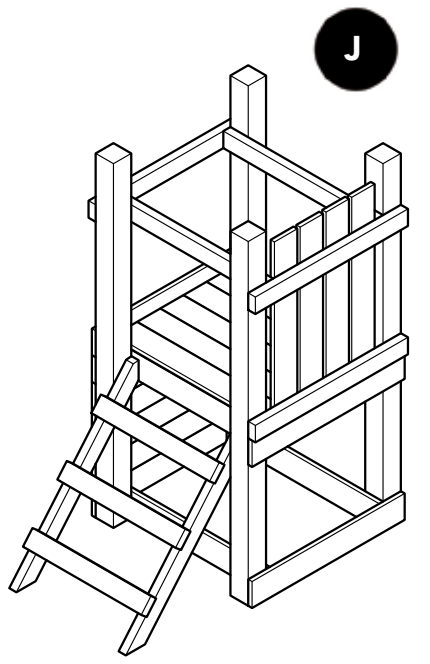
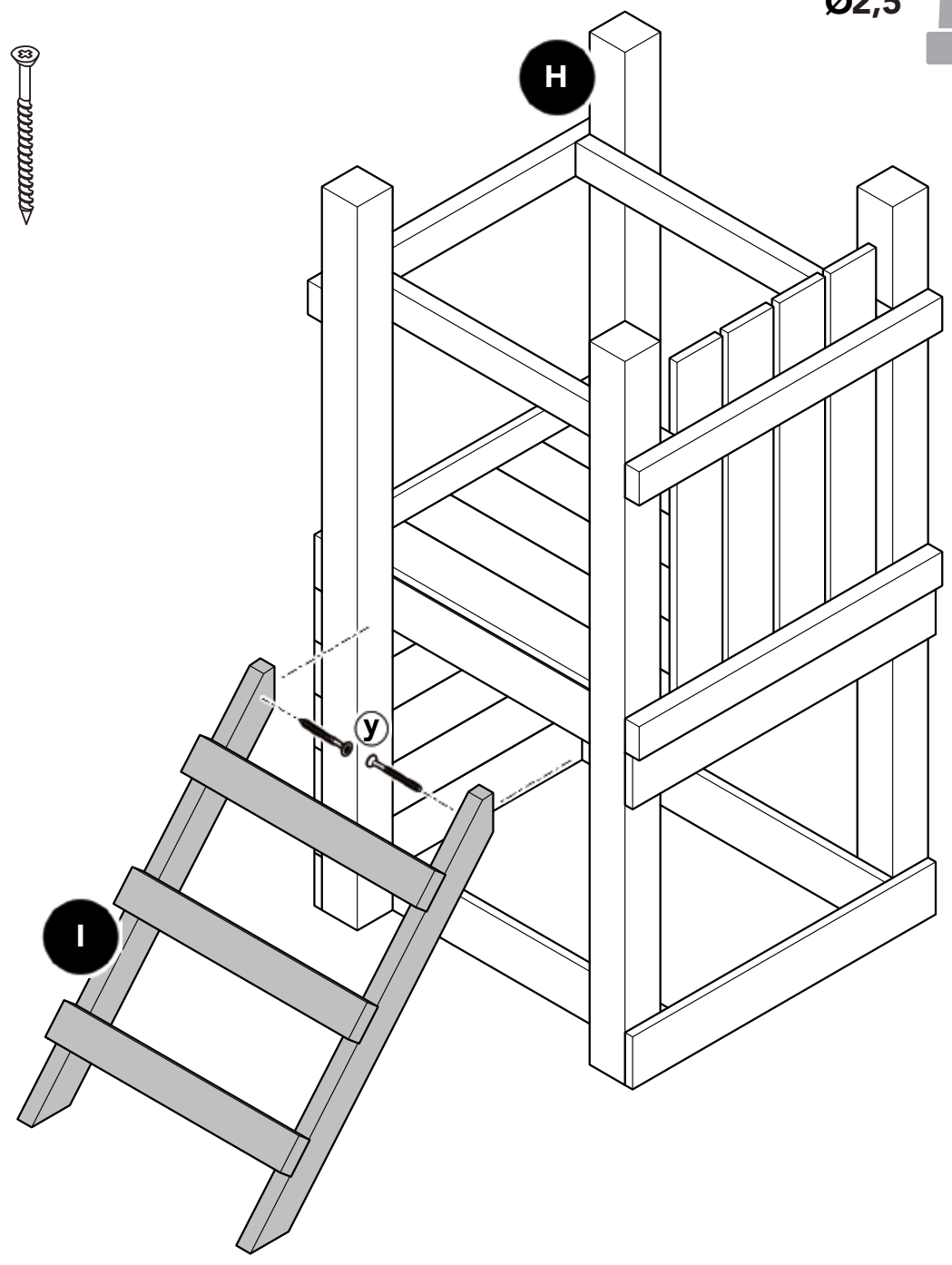
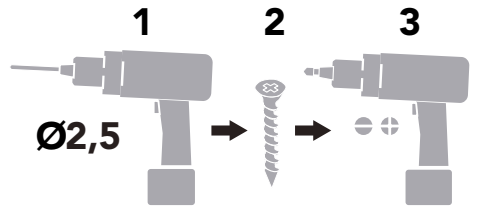
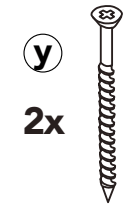
x
20x



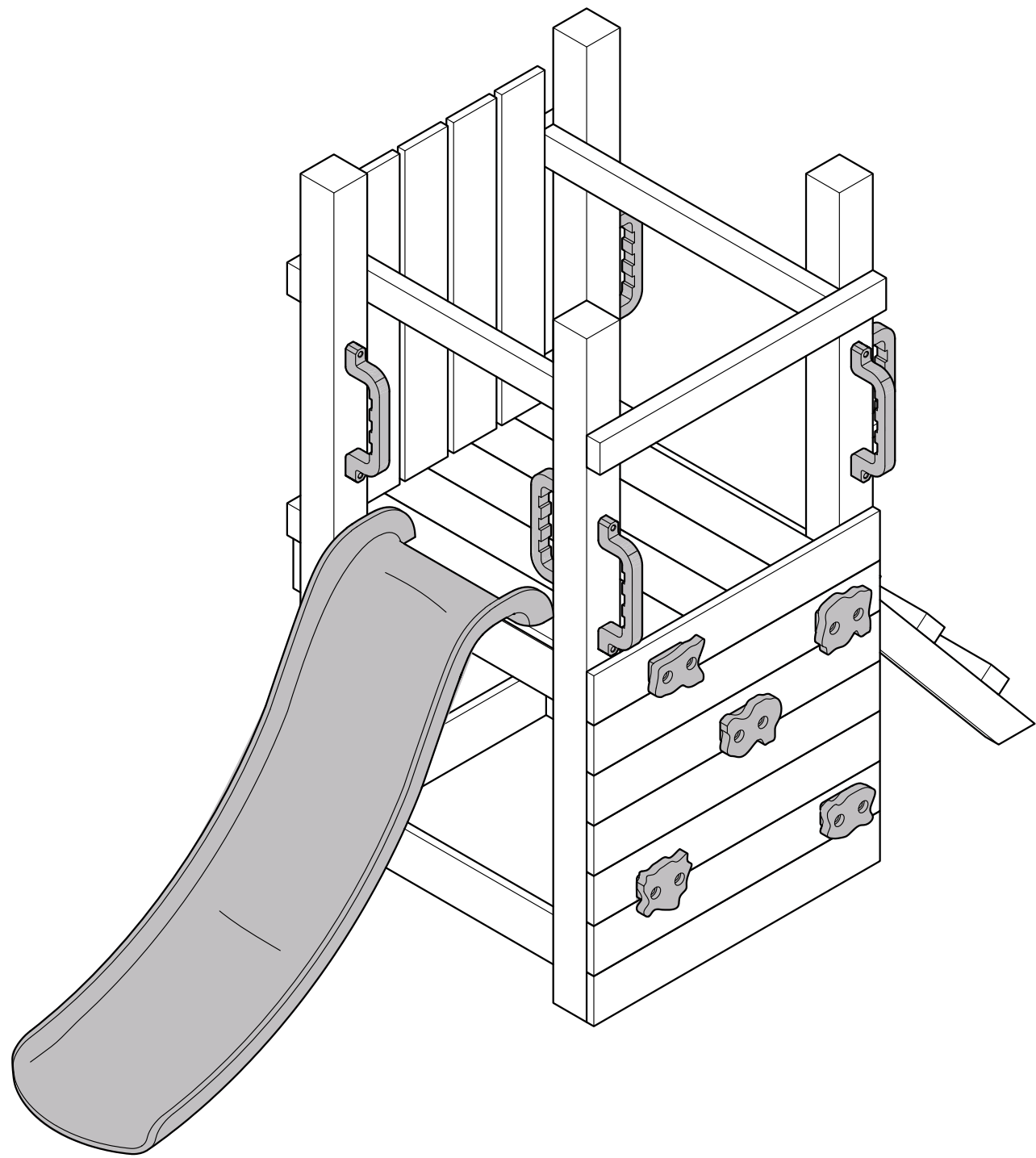
1 I



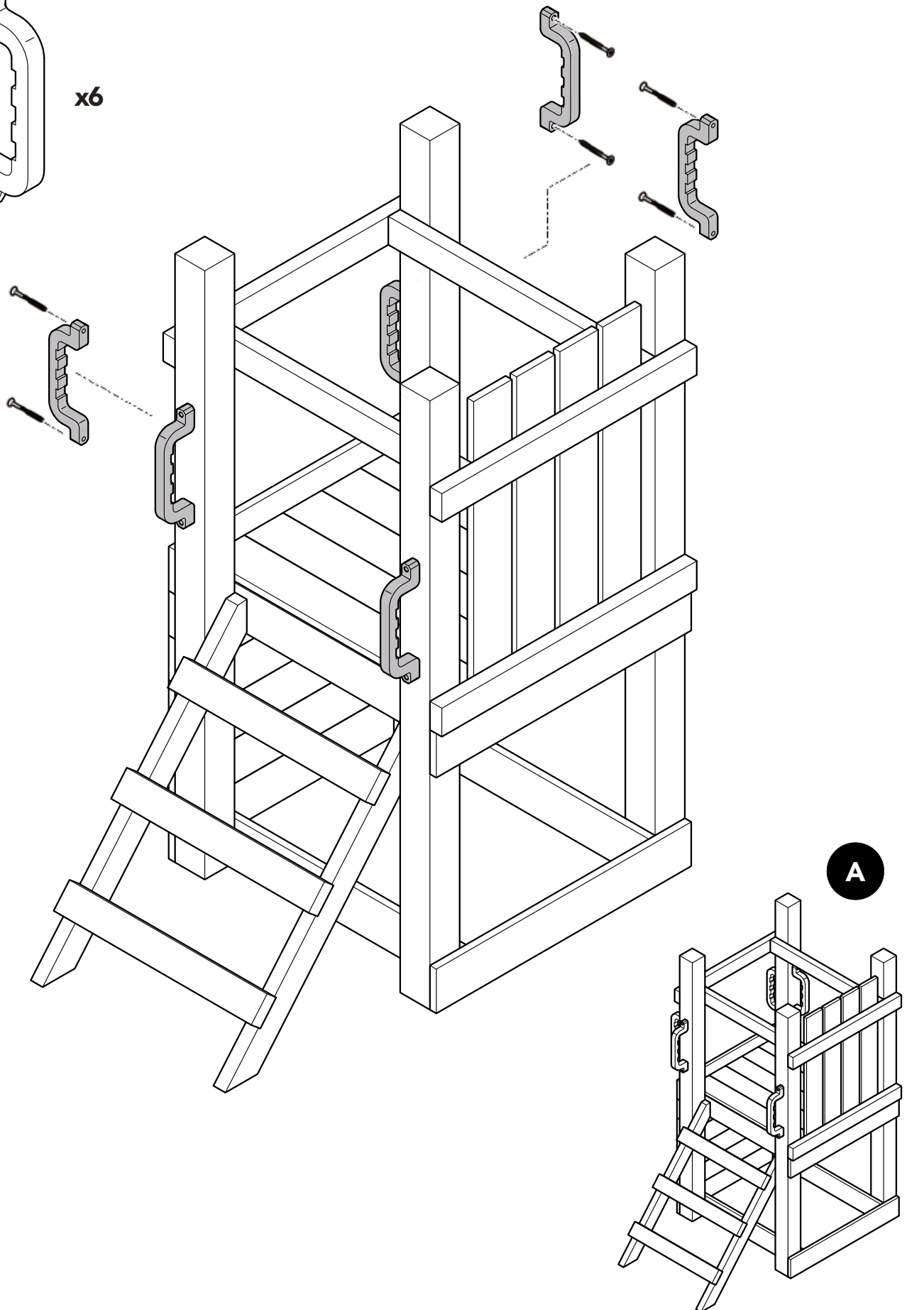
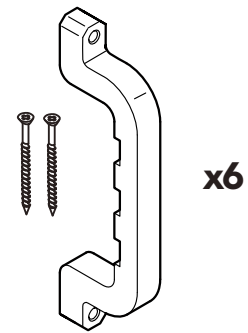
1 J



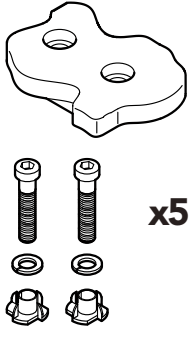
2



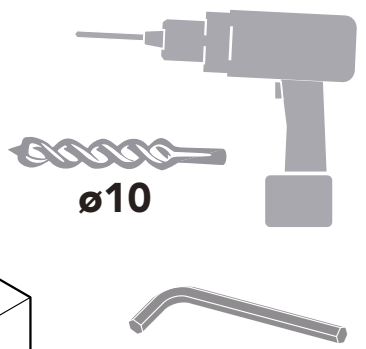
2 A



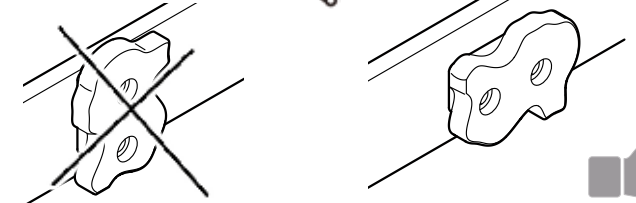
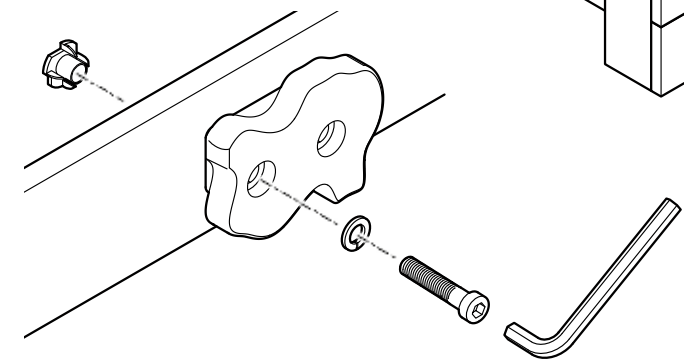
2 B



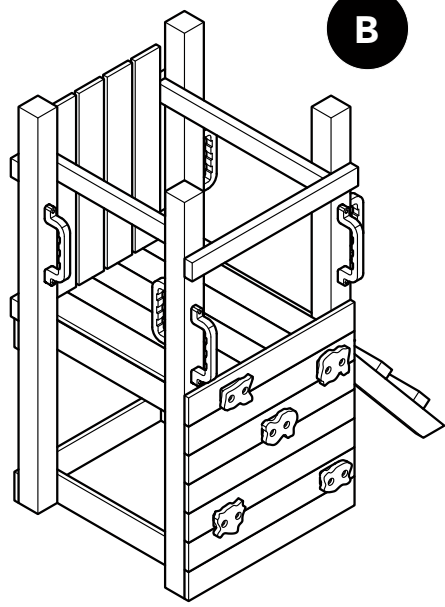
x5



ø10

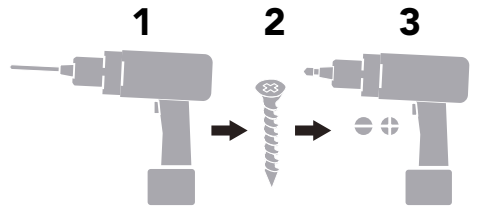


B

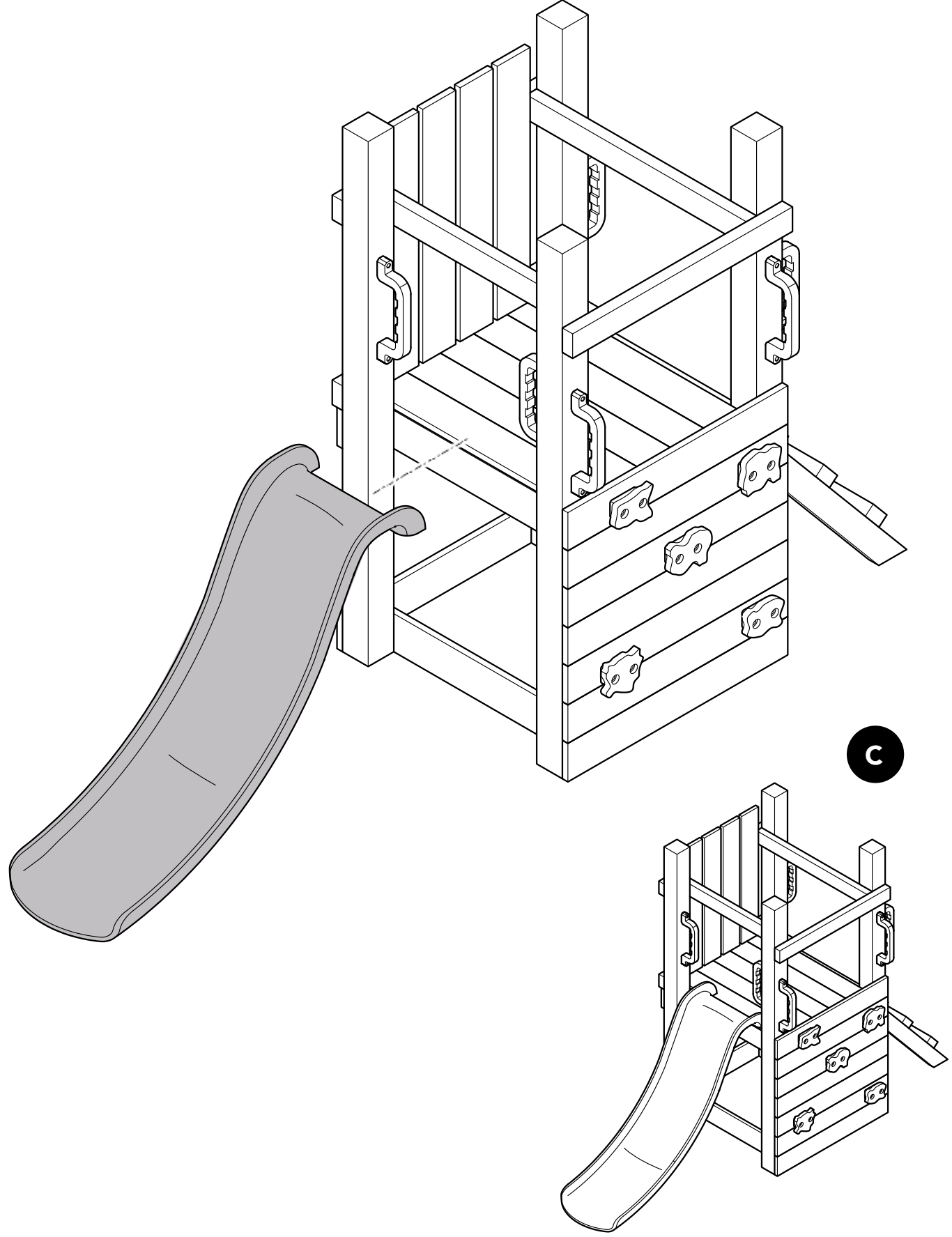


2 C

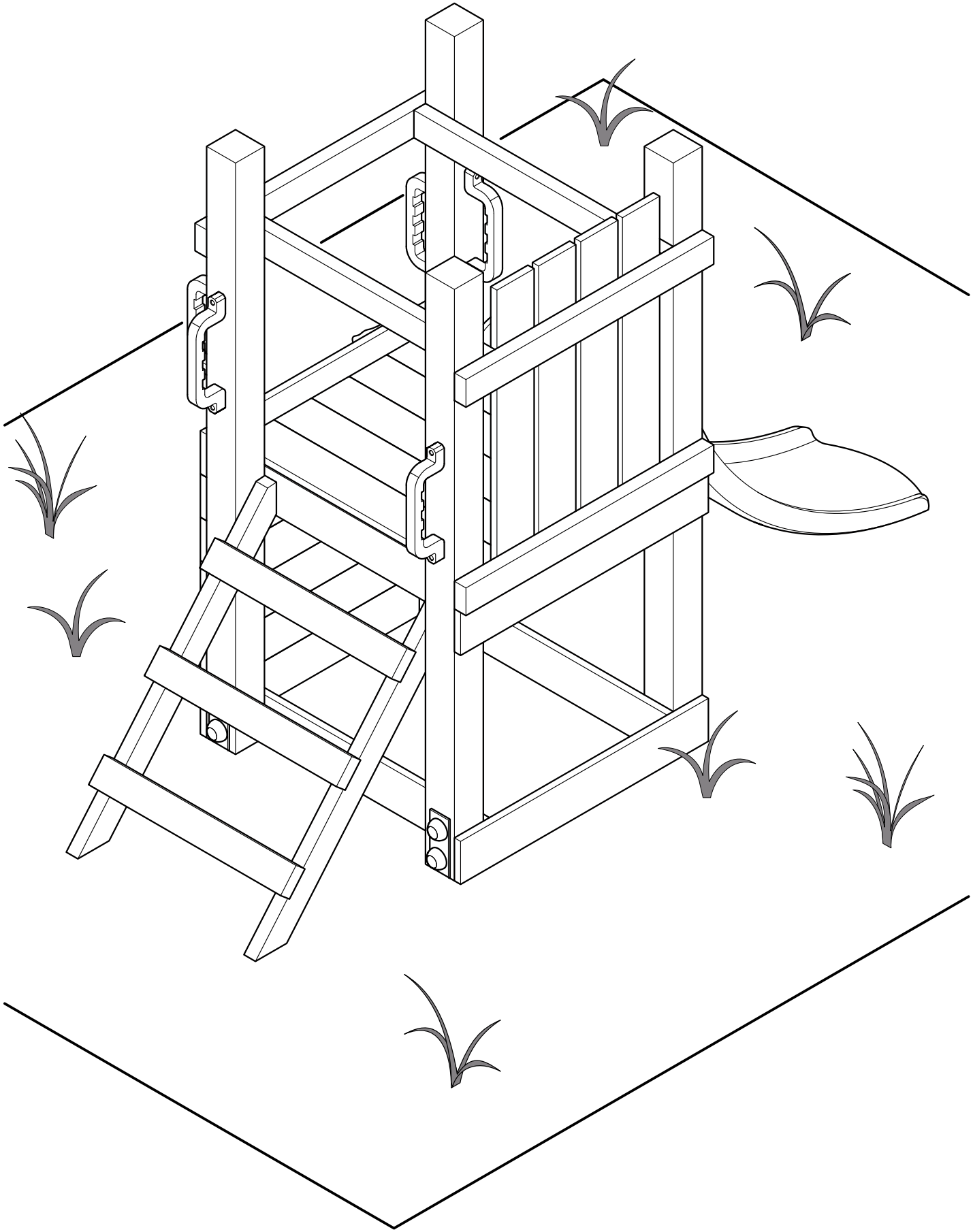
z
2x



C

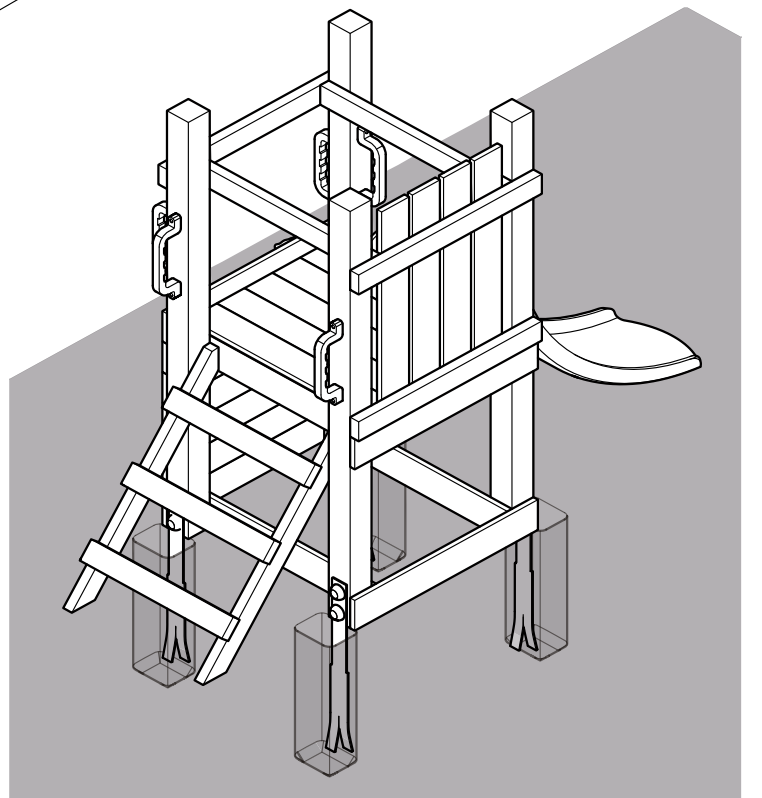
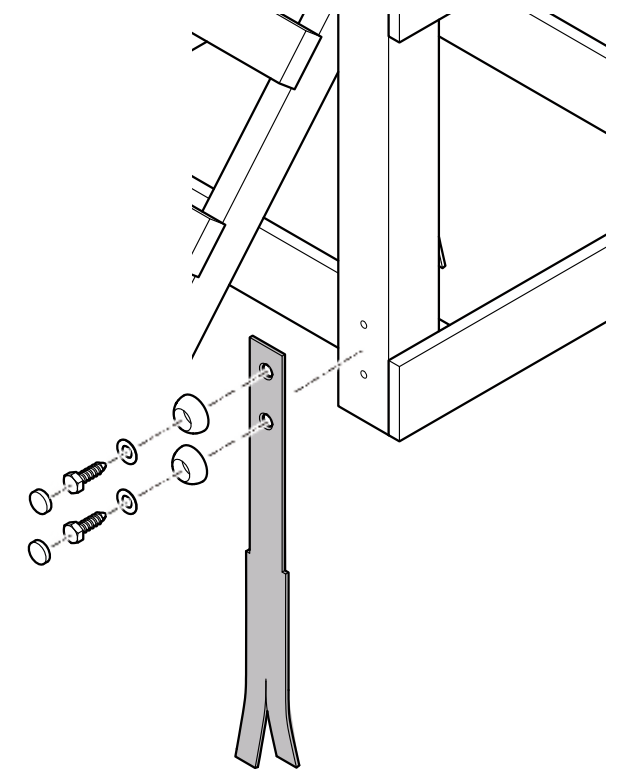
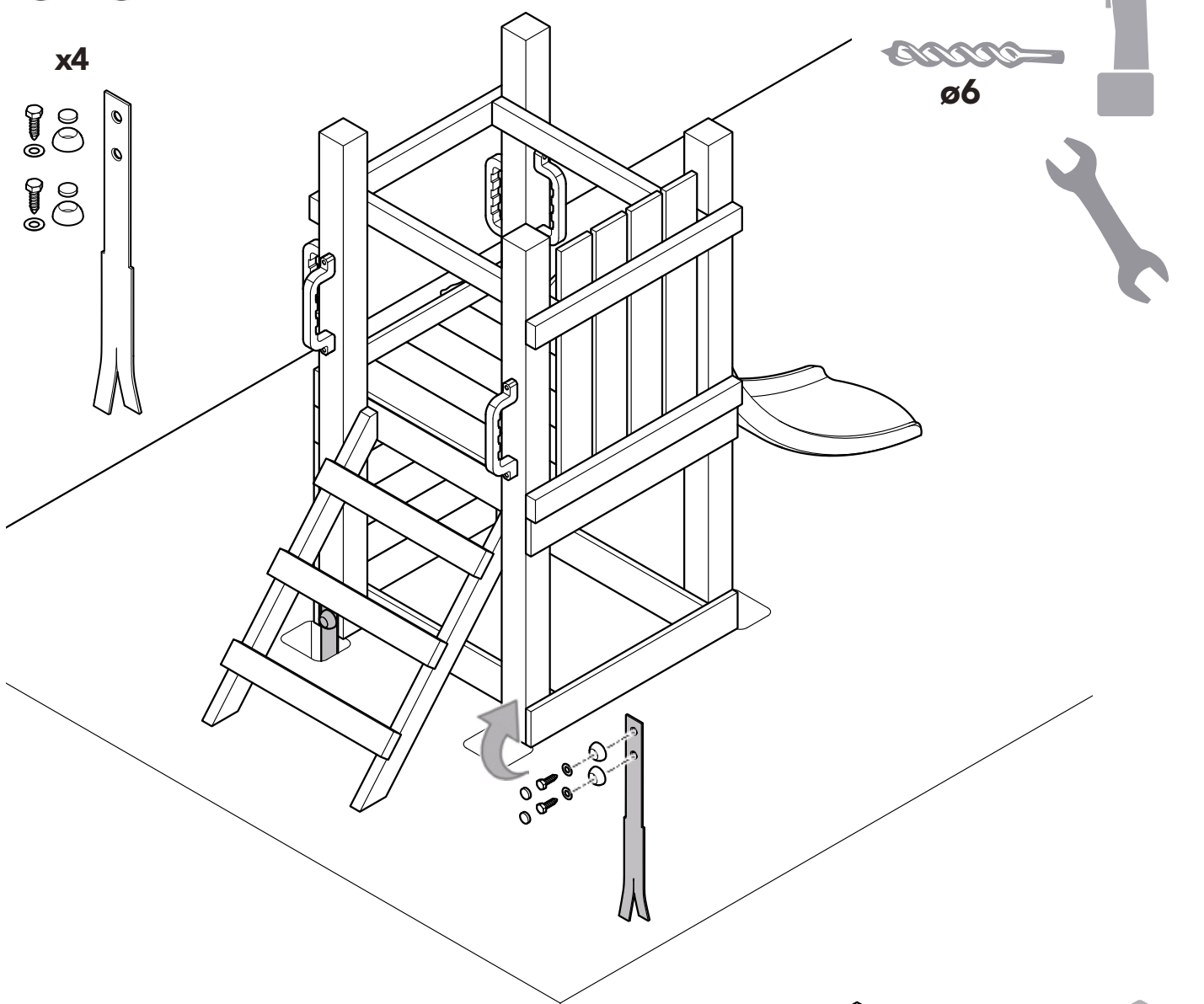
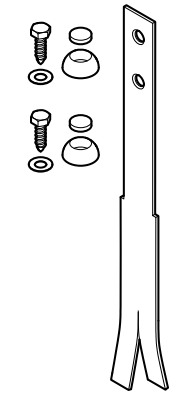


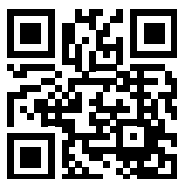
3



3 A

x4





Scan for terms
and conditions

COLOR	EAN-CODE	ART. NO.
Blue	8717306725095	7850050
Red	8717306725125	7850050.RD
Yellow	8717306725163	7850050.GL
Apple green	8717306725101	7850050.AG
Green	8717306725118	7850050.GR

+31(0)318 692 221
www.swingking.nl

Swing King IS A BRAND OF:

HAPRO INTERNATIONAL

Morsestraat 6, 6716 AH Ede - The Netherlands

UK
CA
CE



8 717306 725095 >