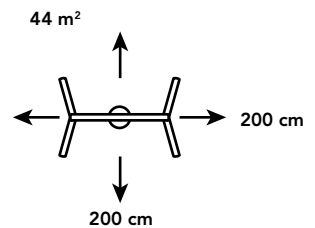
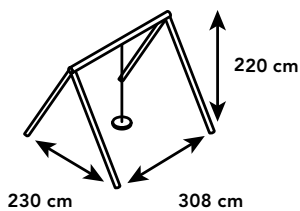
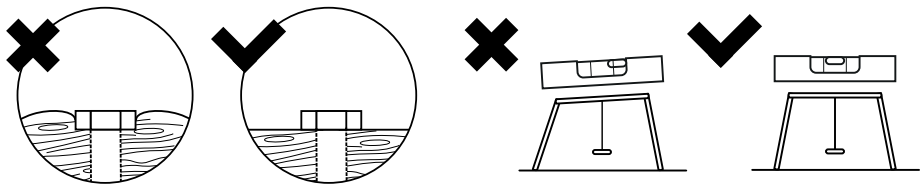
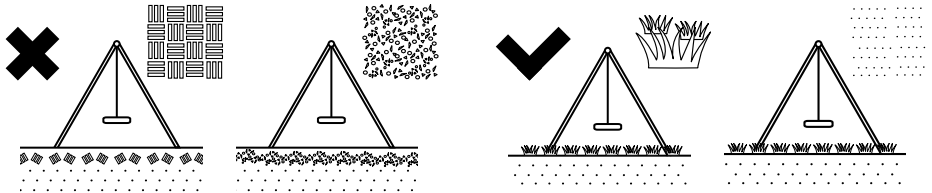
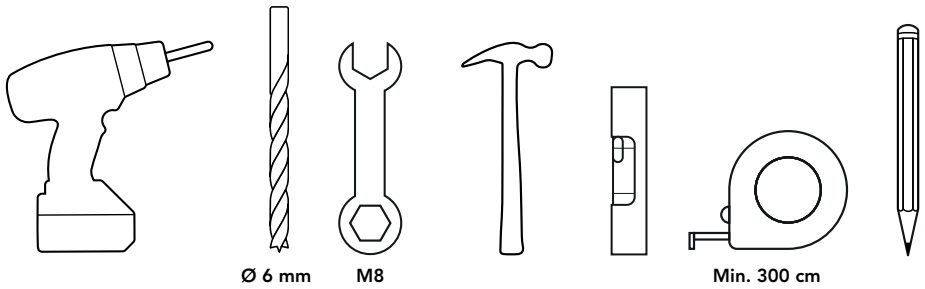



# Eline

ART. NR. 7880102

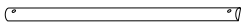


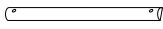
# Eline

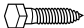



A1  1x  
Ø 100 x 3000 mm

A2  4x  
Ø 80 x 2500 mm

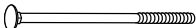
A3  2x  
Ø 70 x 1500 mm

A4  4x  
Ø 70 x 900 mm

E1  4x  
8 x 30 mm

E2  12x  
8 x 70 mm

E3  4x  
8 x 140 mm

E4  2x  
M10 x 170 mm

B1  16x  
M8

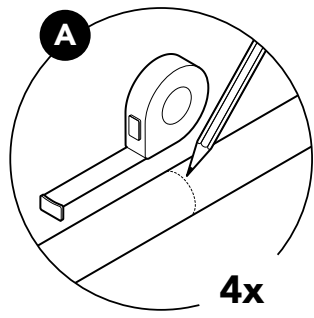
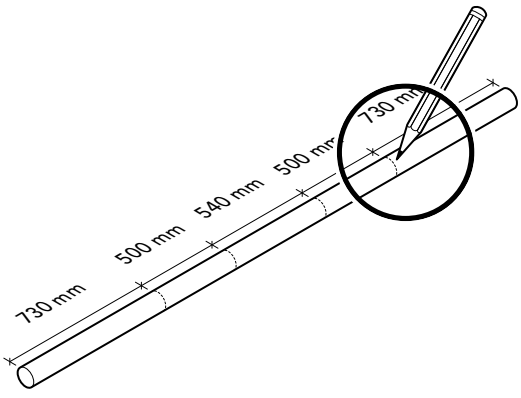
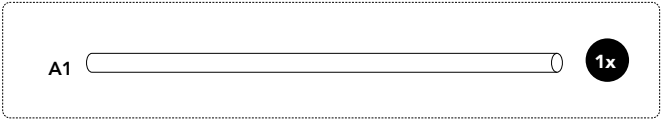
B2  2x  
M10

B3  2x  
M10

F1  4x

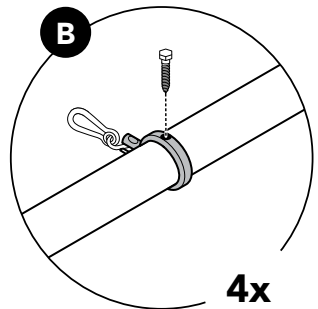
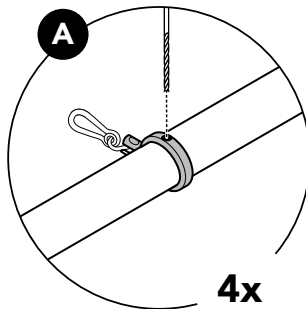
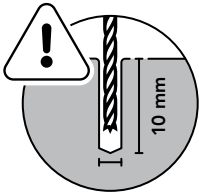
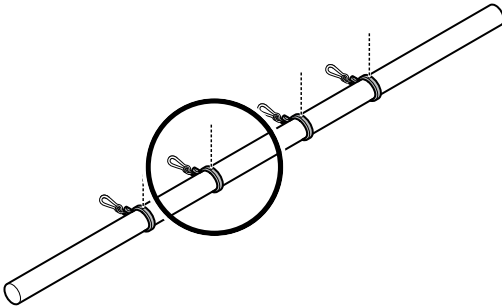
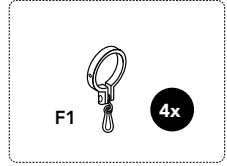
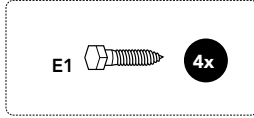
G2  2x

1



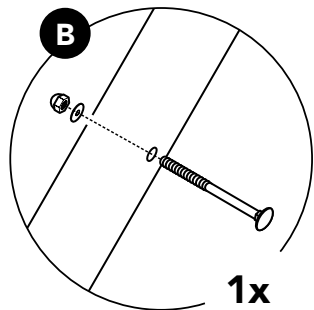
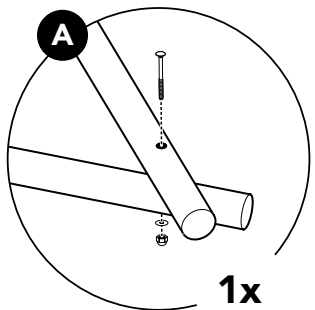
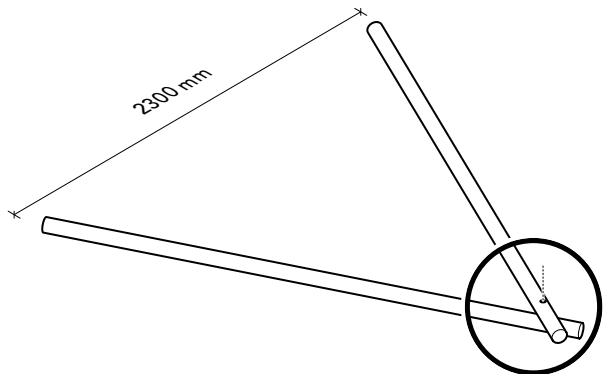
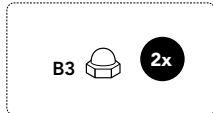
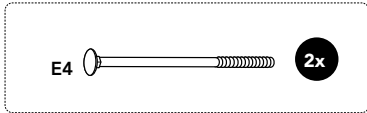
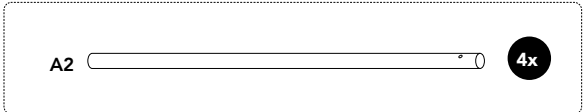
**2**

**2x**



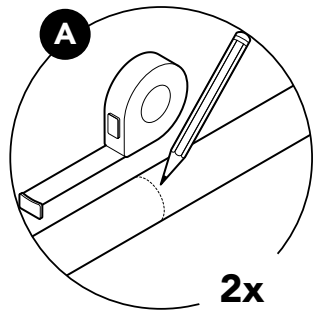
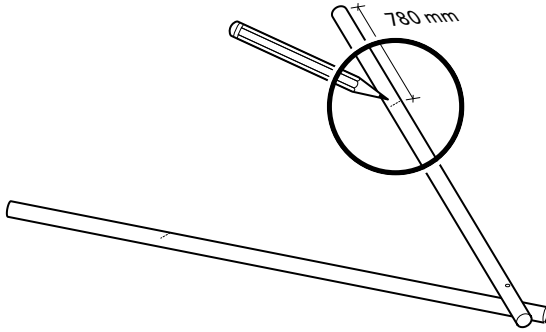
**3**

**2x**



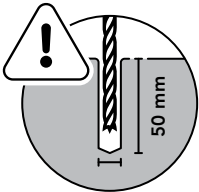
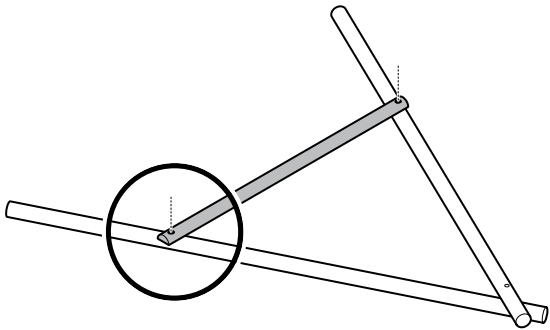
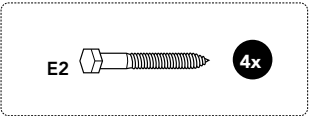
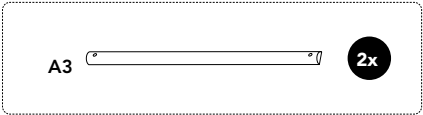
**4**

**2x**

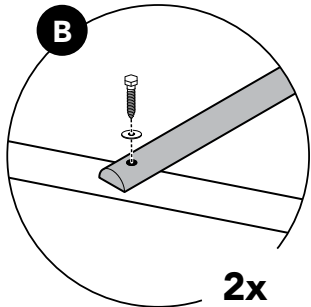
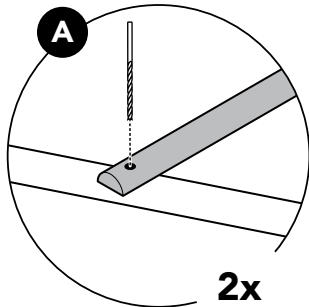


**5**

**2x**

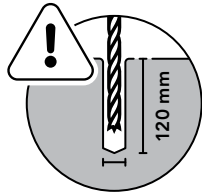
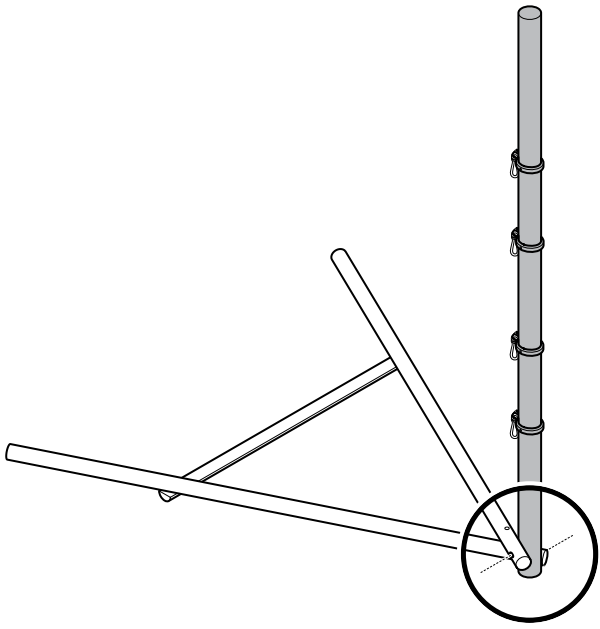
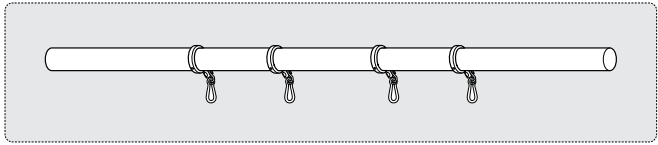
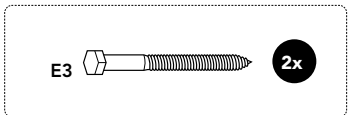


Ø 6 mm

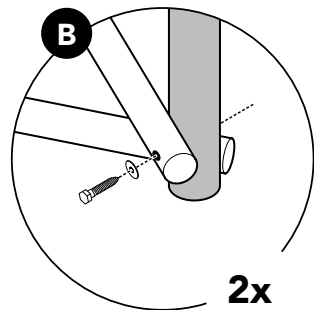
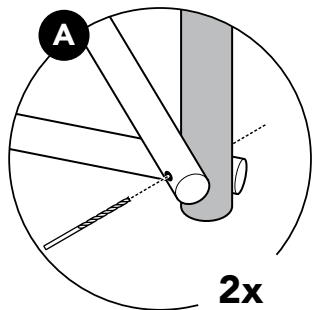




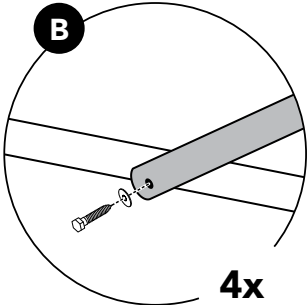
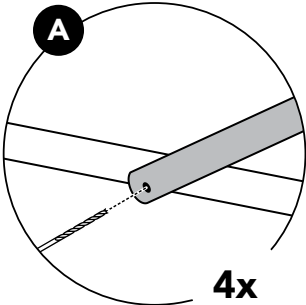
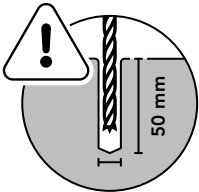
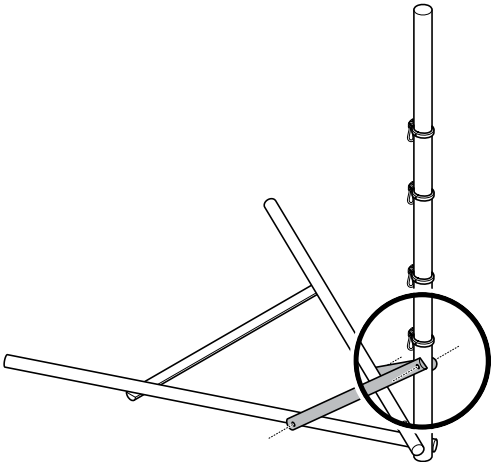
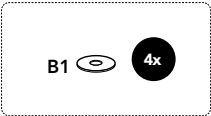
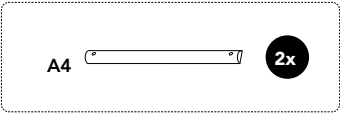
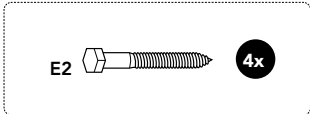
**6**



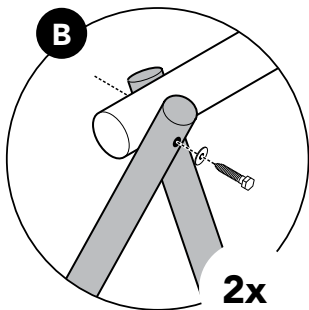
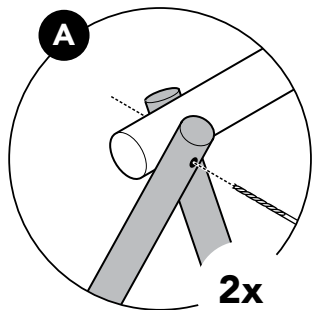
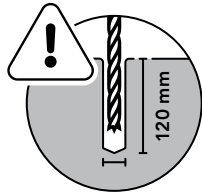
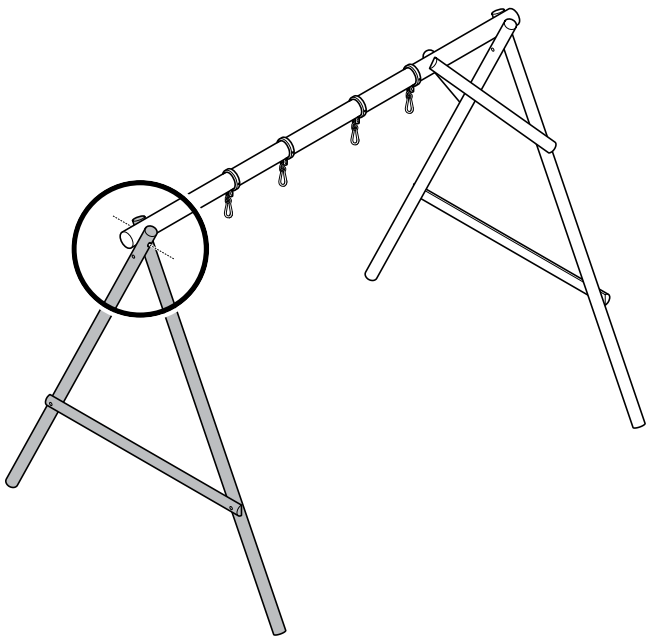
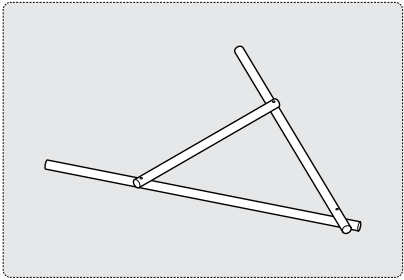
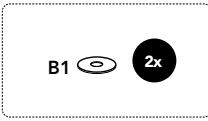
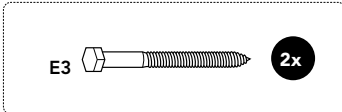
Ø 6 mm



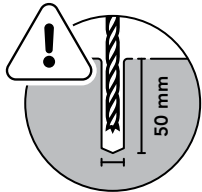
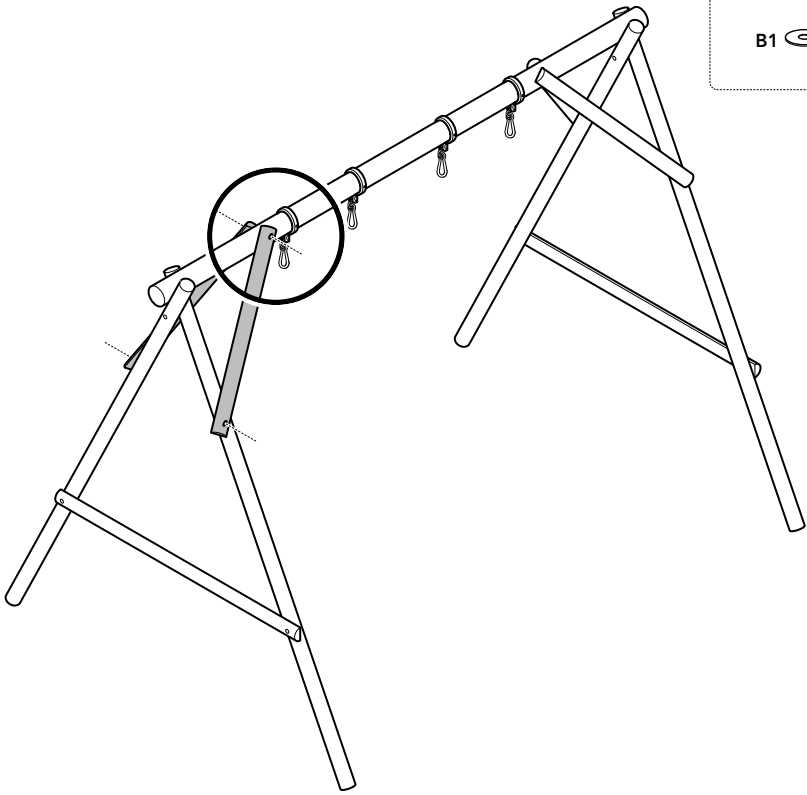
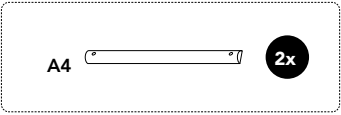
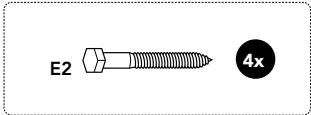
# 7



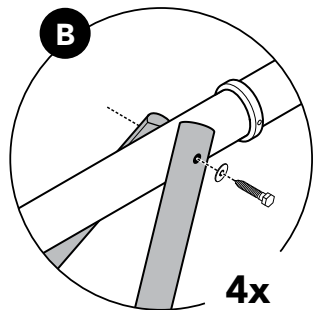
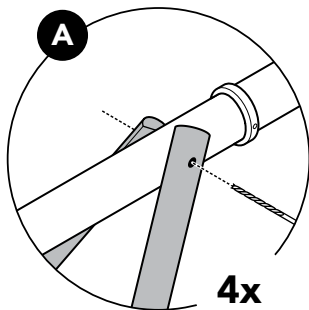
**8**



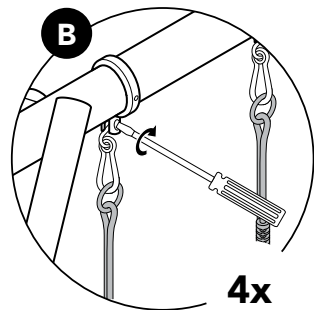
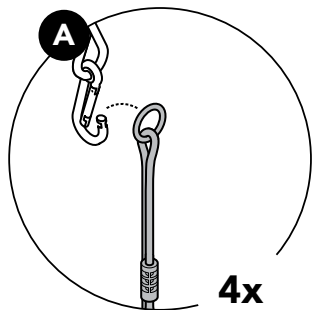
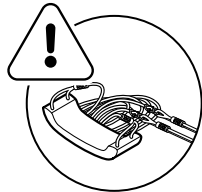
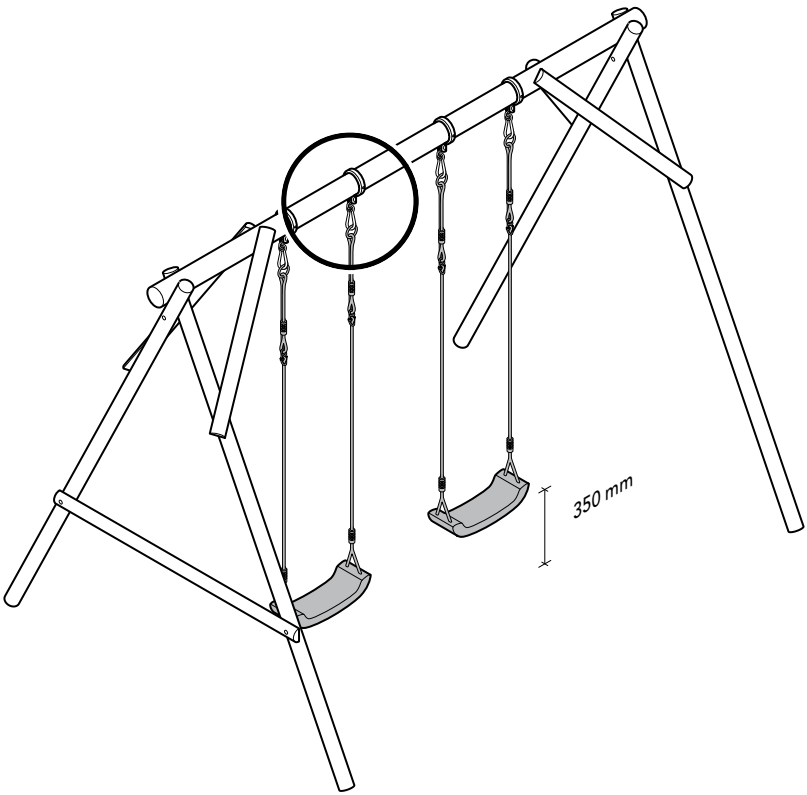
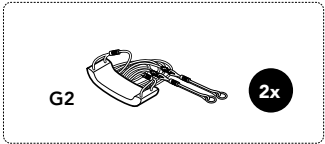
9

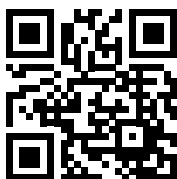


Ø 6 mm



10





Scan for terms  
and conditions

+31(0)318 692 221  
[www.swingking.nl](http://www.swingking.nl)

Swing King IS A BRAND OF:

**HAPRO** INTERNATIONAL

Morsestraat 6, 6716 AH Ede - The Netherlands

UK  
CE

