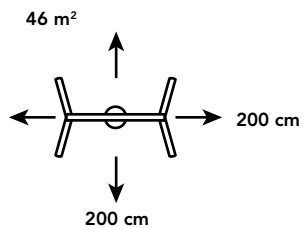
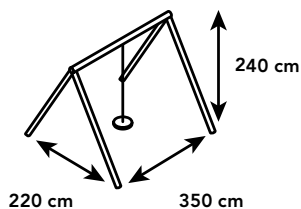
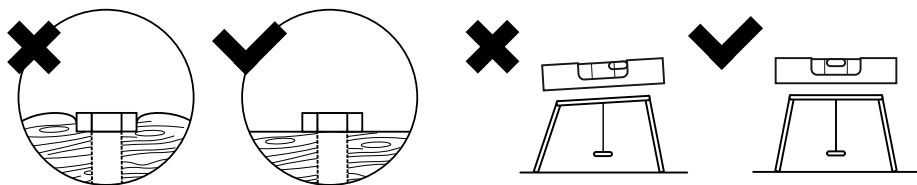
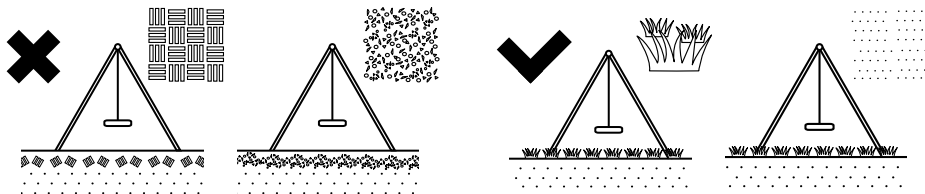
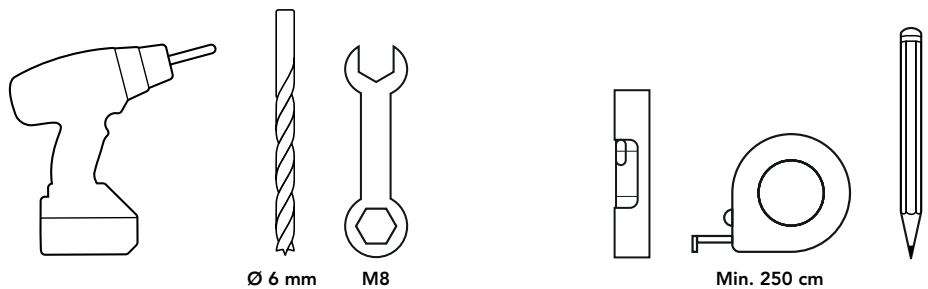


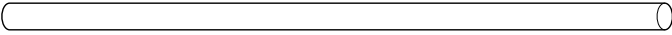
# Charlotte

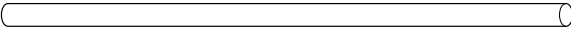
ART. NR. 7930002

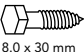


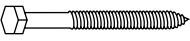
# Charlotte



A1  1x  
Ø 100 x 3000 mm

A2  4x  
Ø 80 x 2500 mm

E1  5x  
8.0 x 30 mm


E2  8x  
8.0 x 70 mm

B1  13x  
M8


F1  5x

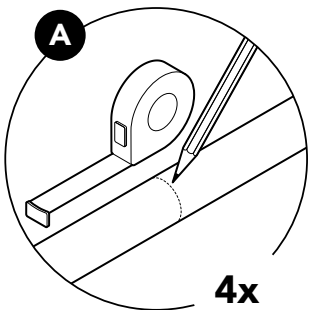
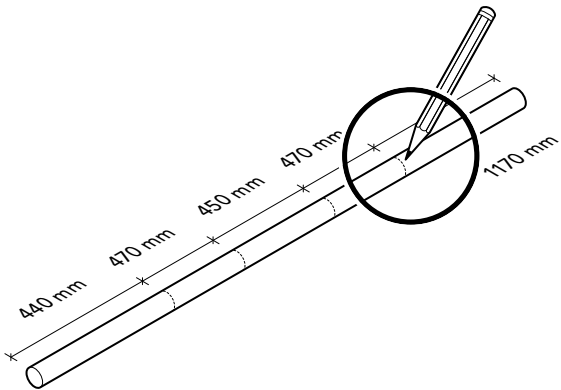
F2  2x

G1  2x

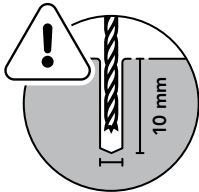
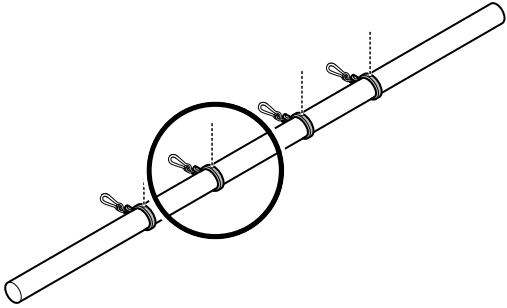
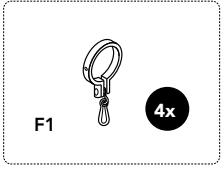
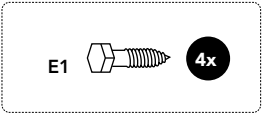
G2  1x

1

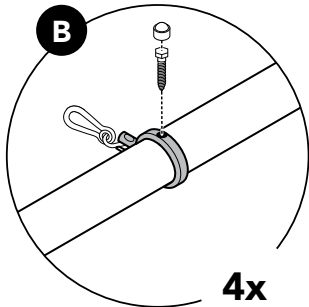
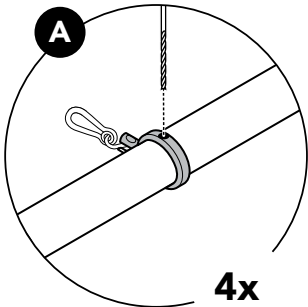
A1  1x



**2**

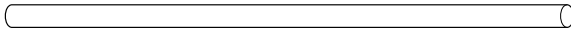


Ø 6 mm



3

A2



4x

2x

B1



4x

F2

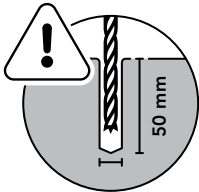
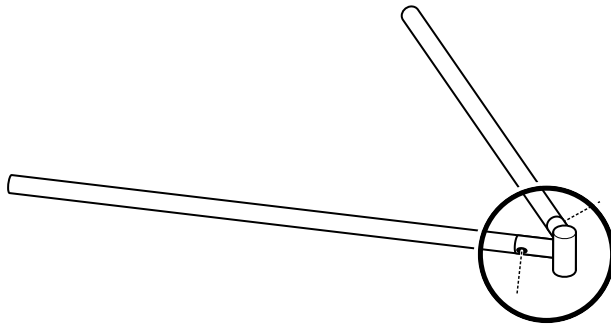


2x

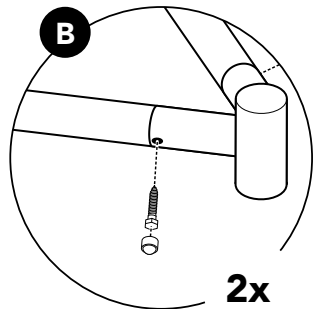
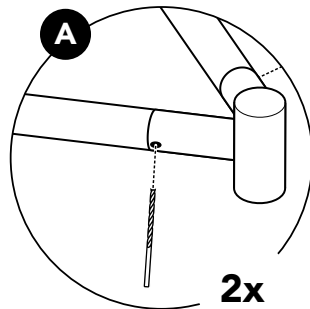
E2



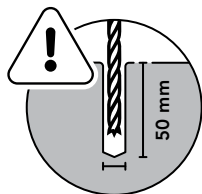
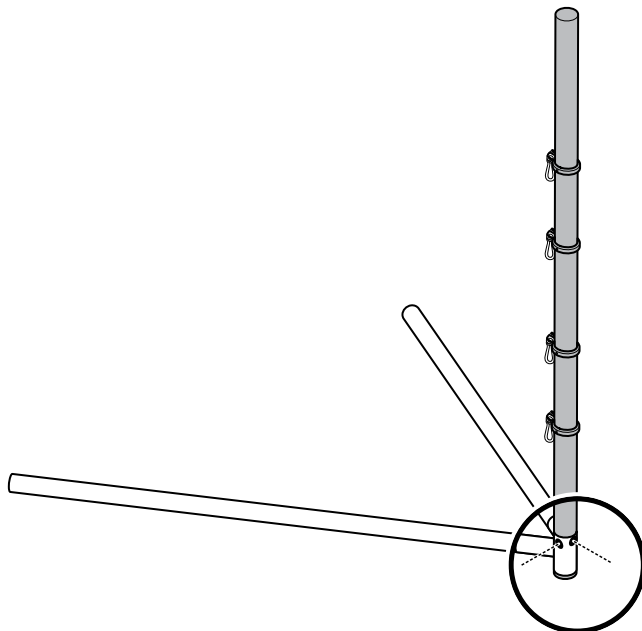
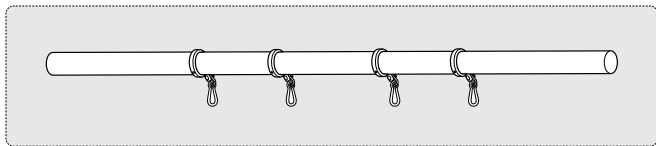
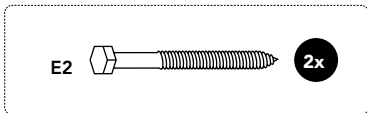
4x



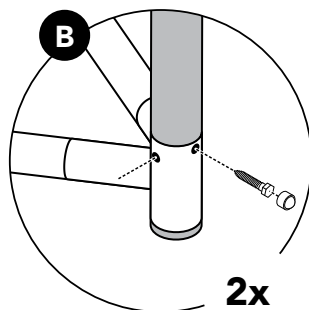
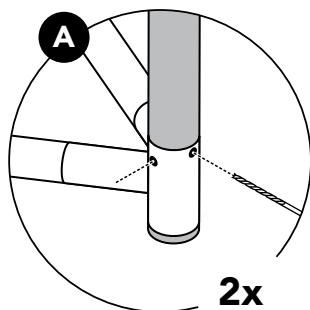
Ø 6 mm



**4**



Ø 6 mm



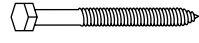
5

B1

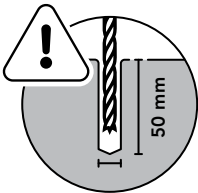
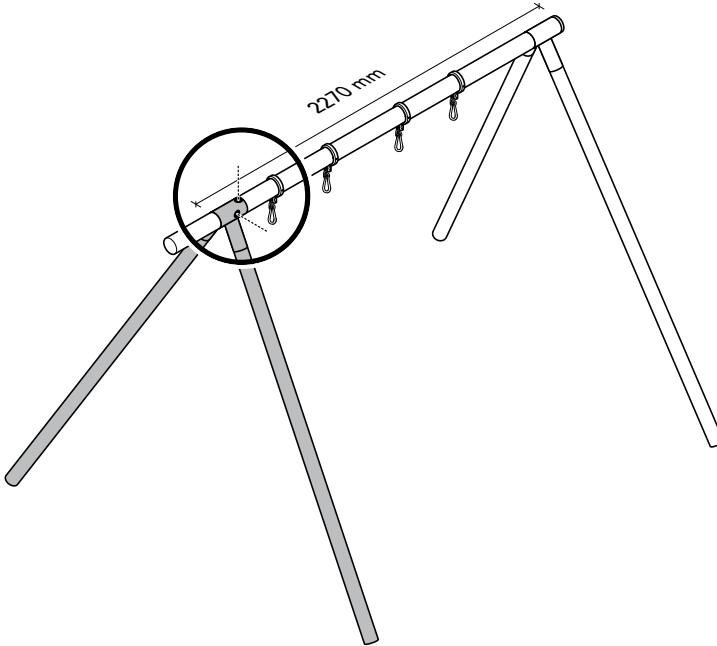


2x

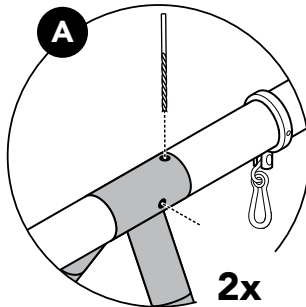
E2



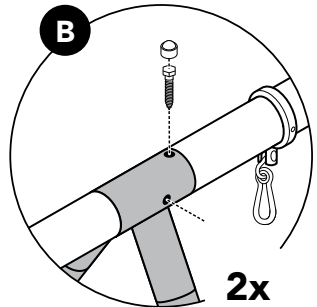
2x



Ø 6 mm



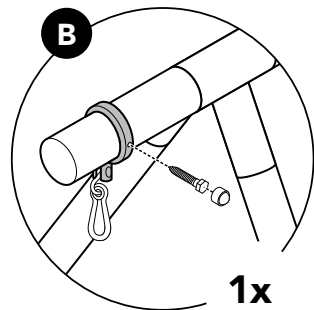
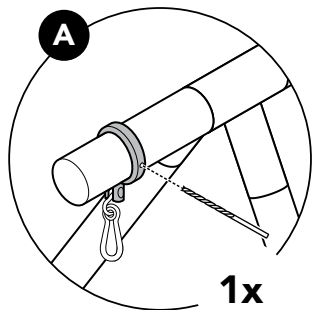
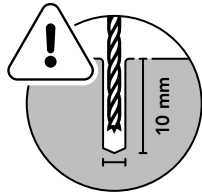
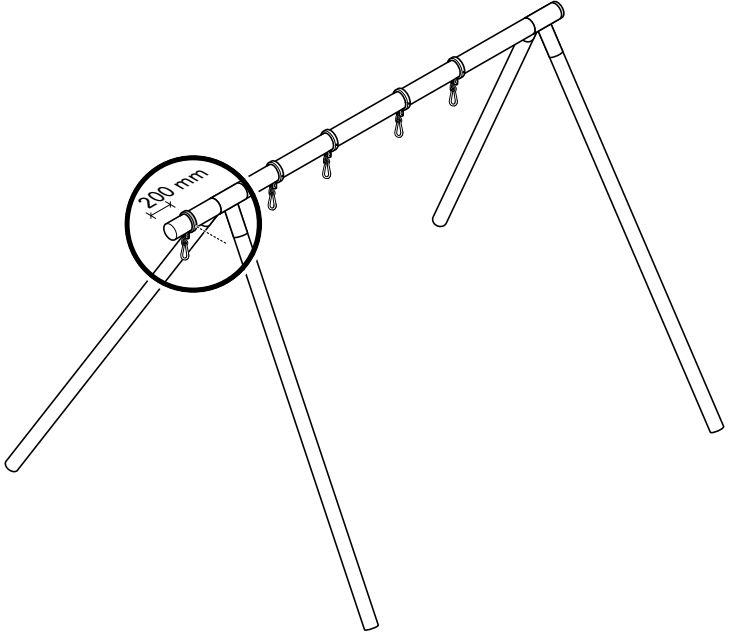
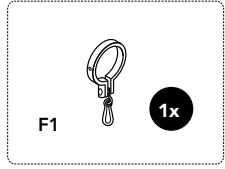
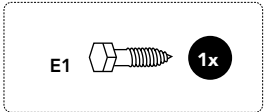
2x



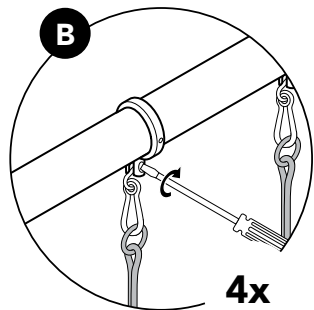
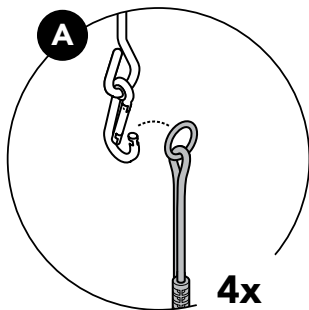
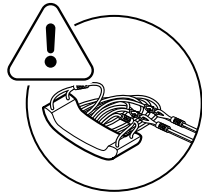
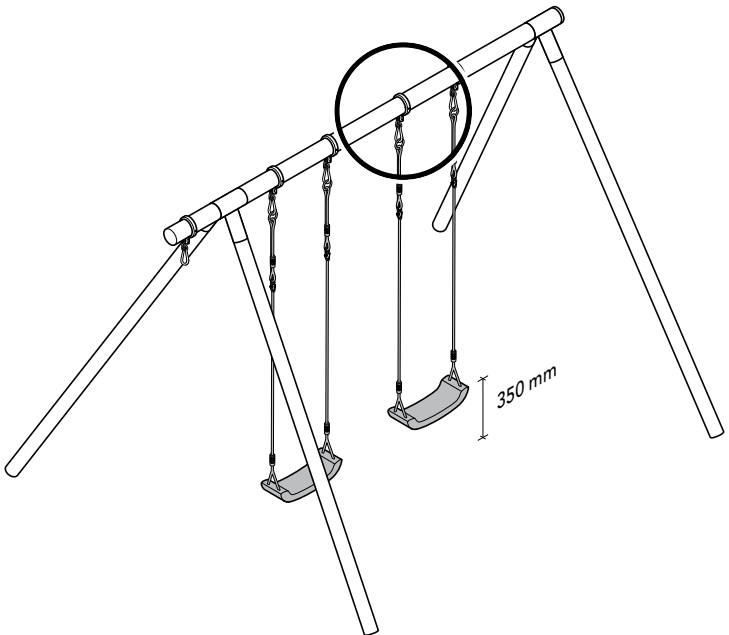
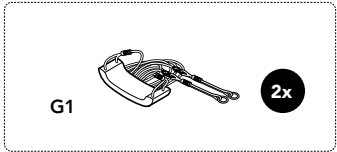
2x



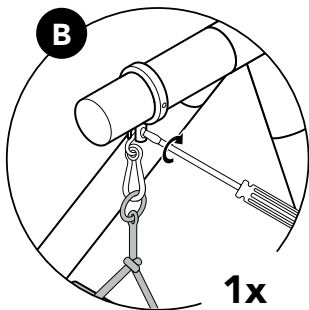
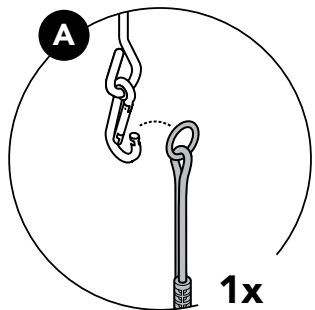
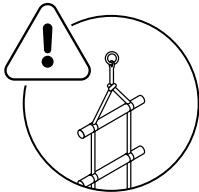
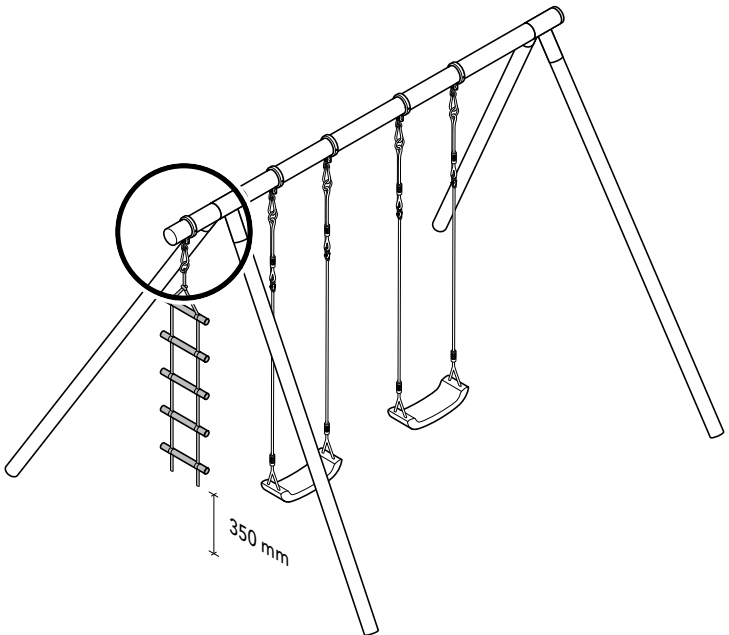
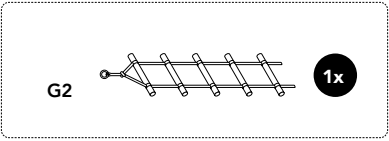
6

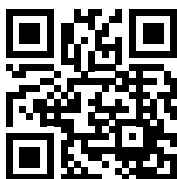


7



8





Scan for terms  
and conditions

+31(0)318 692 221  
[www.swingking.nl](http://www.swingking.nl)

Swing King IS A BRAND OF:

**HAPRO** INTERNATIONAL

Morsestraat 6, 6716 AH Ede - The Netherlands

UK  
CE

