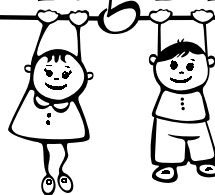


Analies

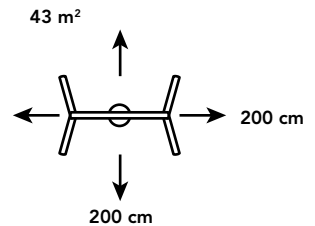
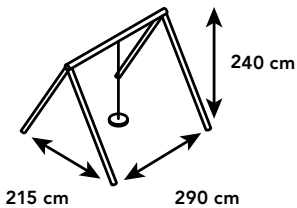
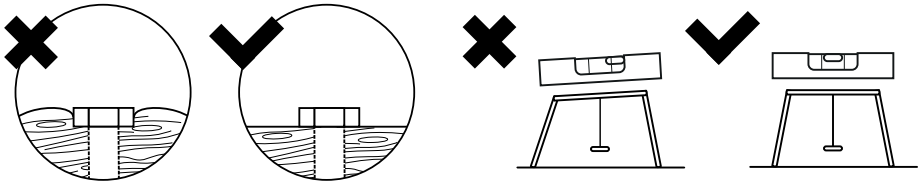
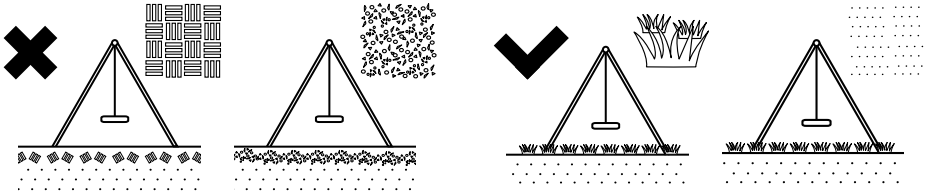
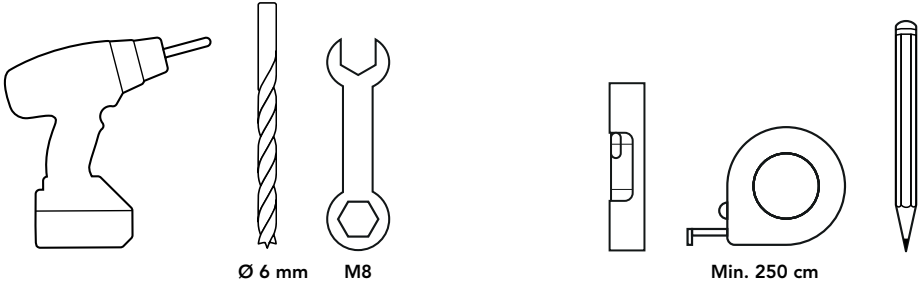
ART. NR. 7930000

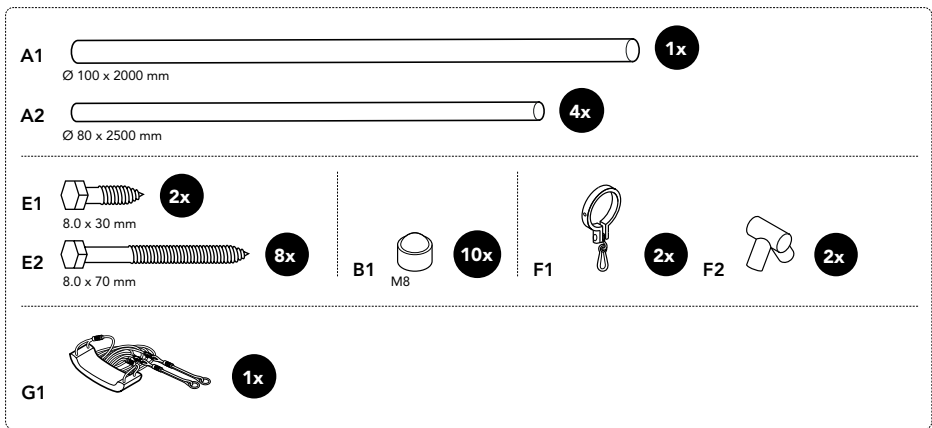


Swing King

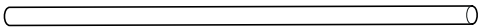


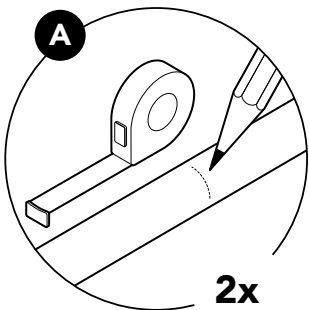
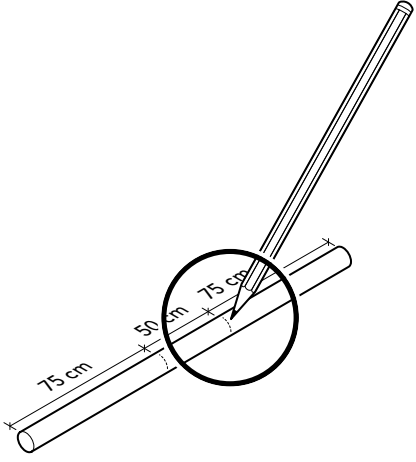
Analies



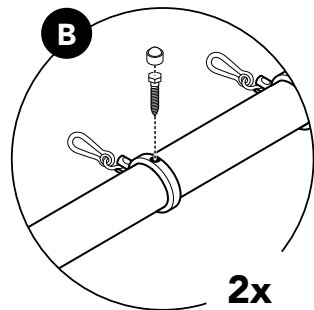
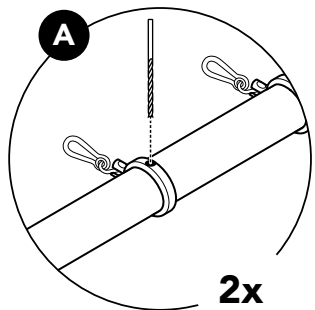
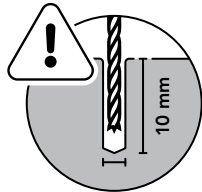
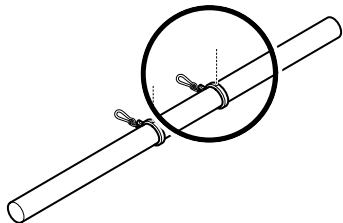
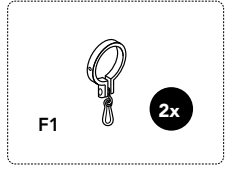
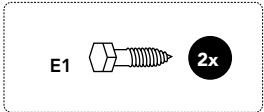


1

A1  1x

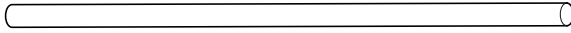


2



3

A2



4x

2x

B1



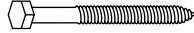
4x

F2

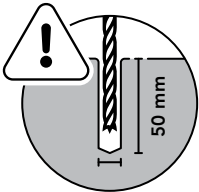
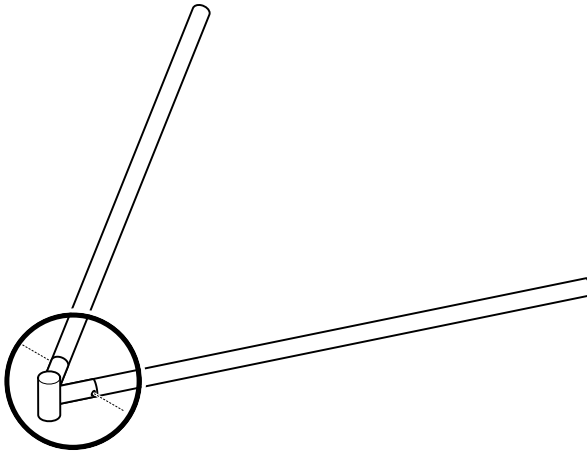


2x

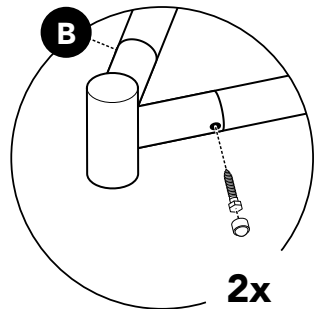
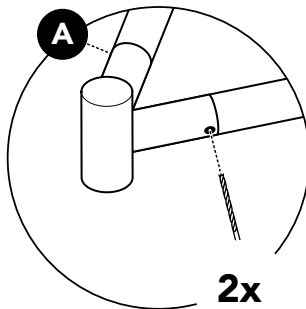
E2



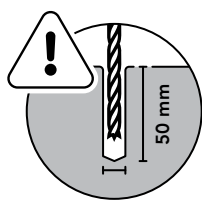
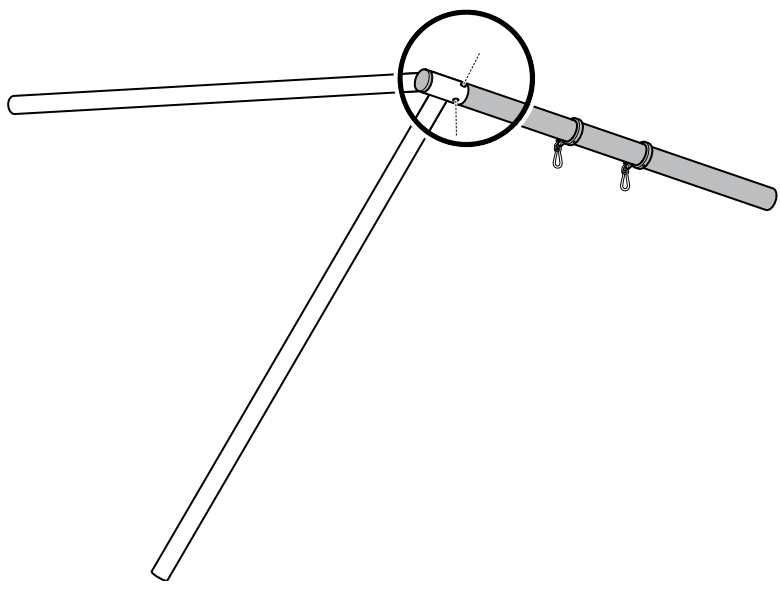
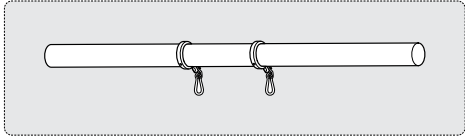
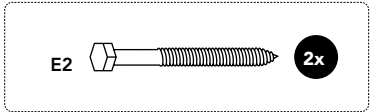
4x



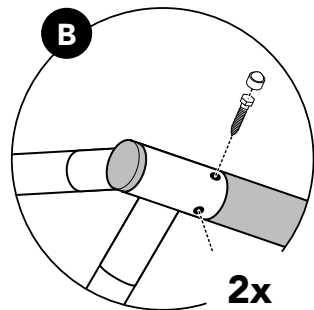
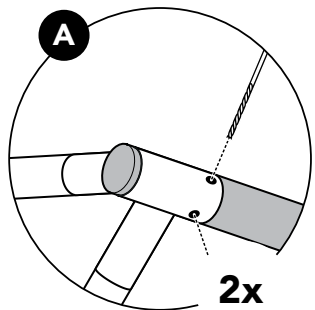
Ø 6 mm



4



Ø 6 mm



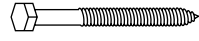
5

B1

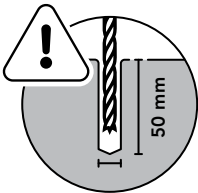
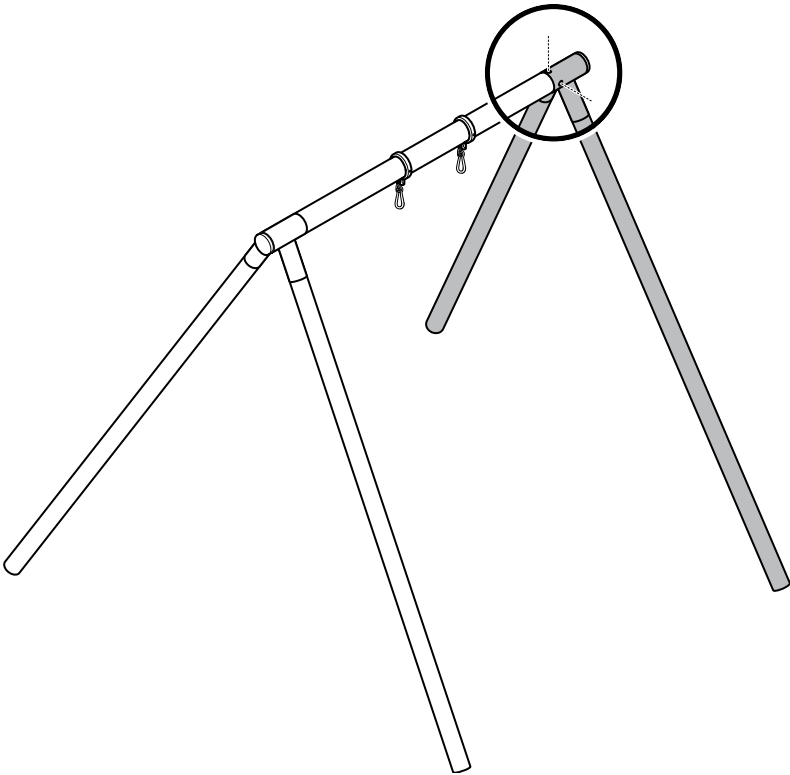


2x

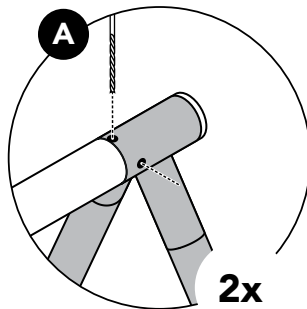
E2



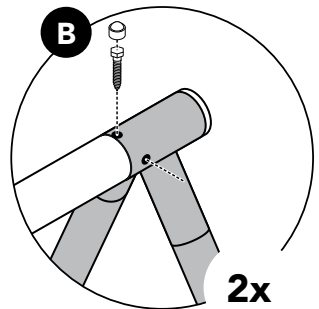
2x



Ø 6 mm

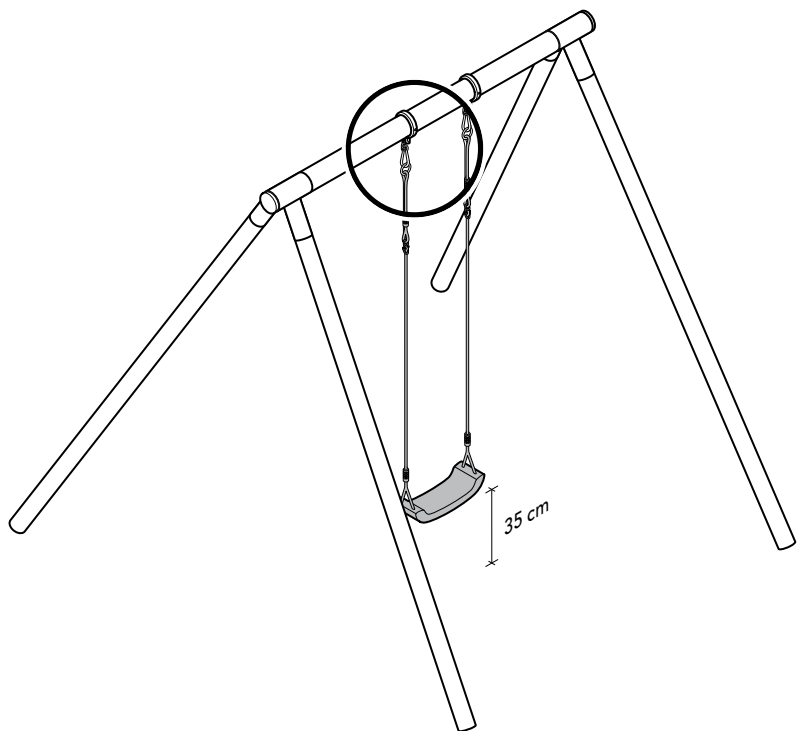
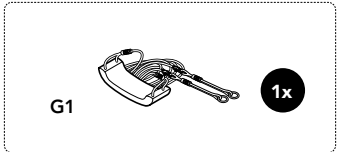


2x

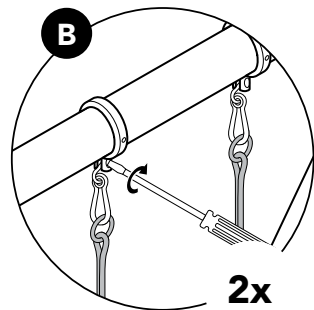
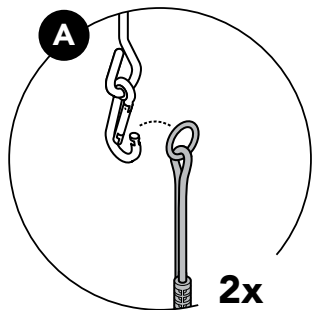


2x

6



Max. 50 kg





Scan for terms
and conditions

+31(0)318 692 221
www.swingking.nl

Swing King IS A BRAND OF:

HAPRO INTERNATIONAL

Morsestraat 6, 6716 AH Ede - The Netherlands

UK
CE

