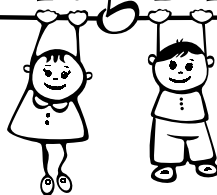


Robert

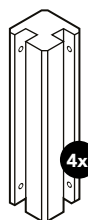
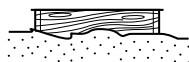
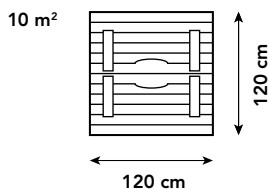
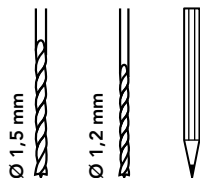
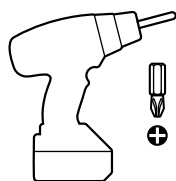
ART. NR. 7850036



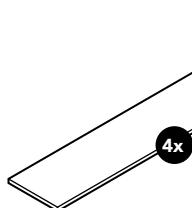
Swing King



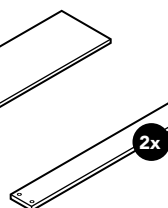
Robert



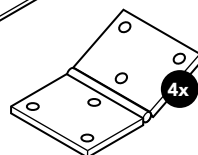
A1



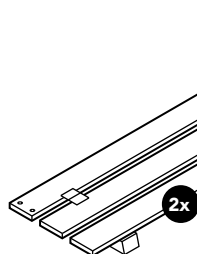
B1



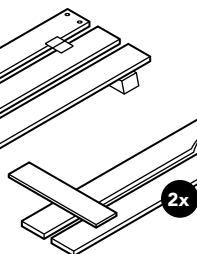
B2



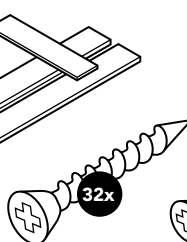
C1



D1



D2

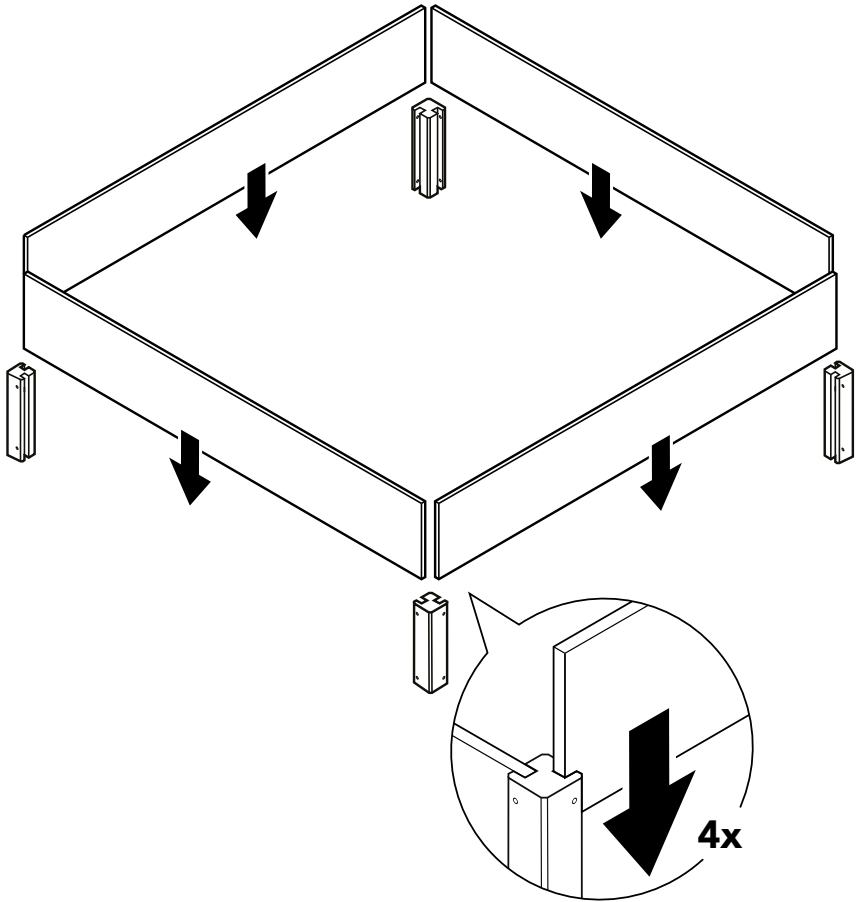
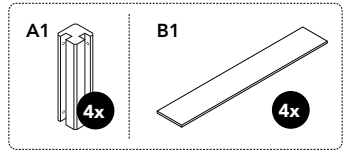


E1

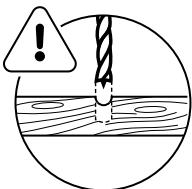
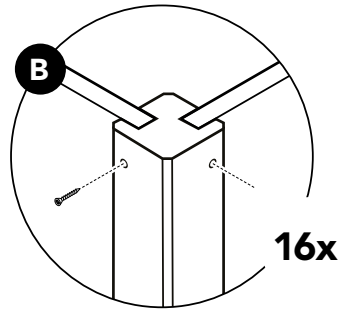
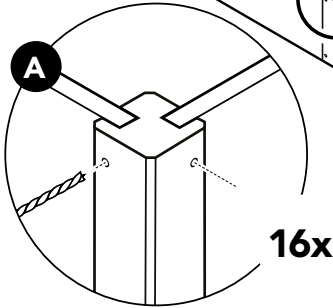
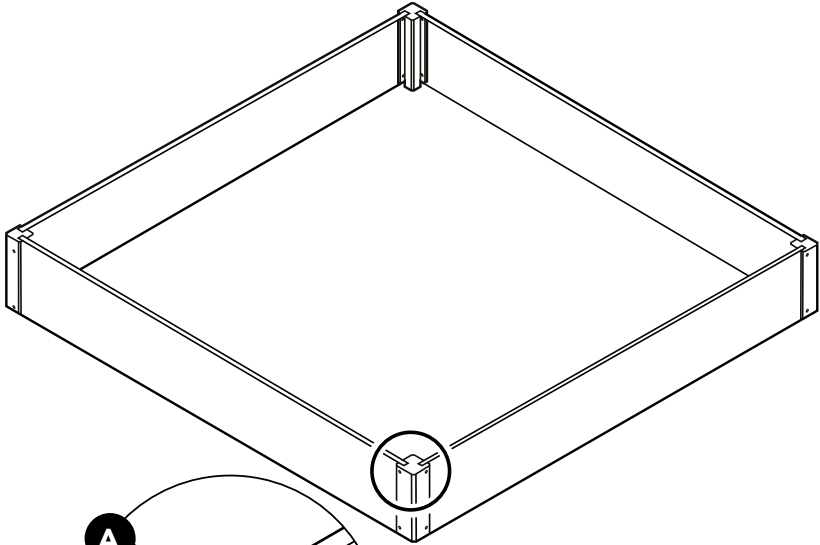
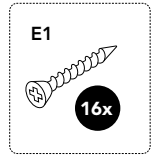


E2

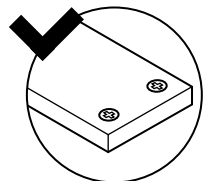
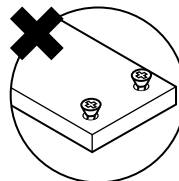
1



2

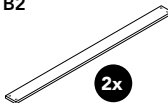


Ø 1,5 mm



3

B2

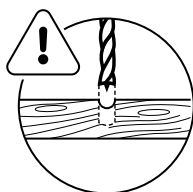
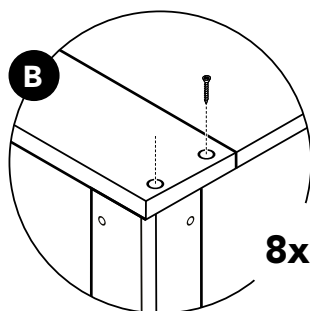
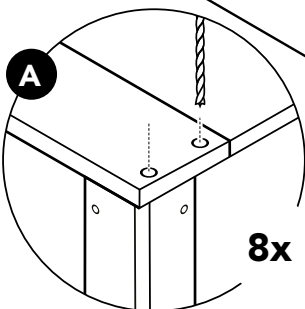
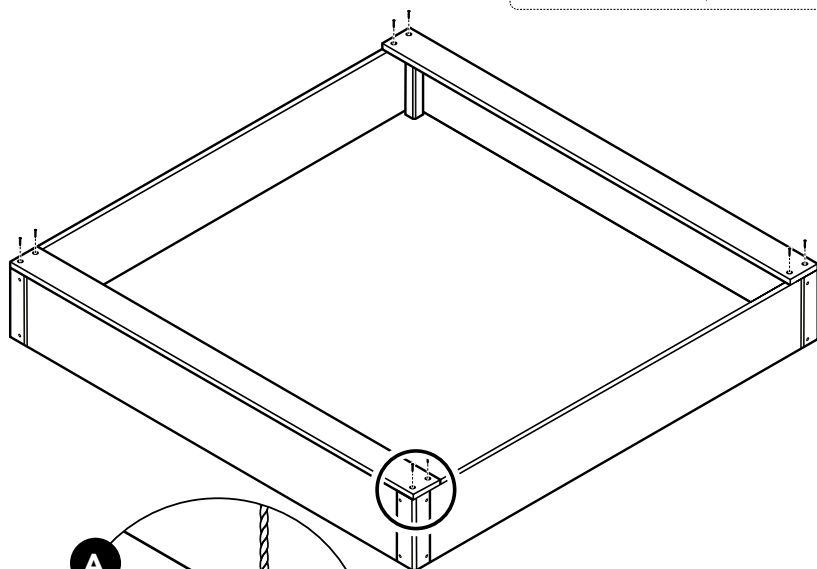


2x

E1

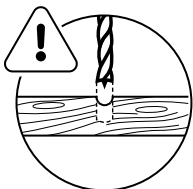
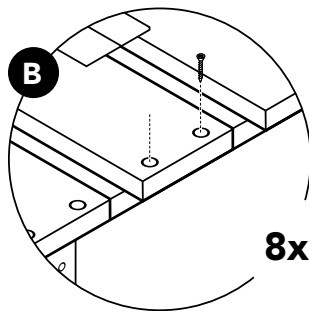
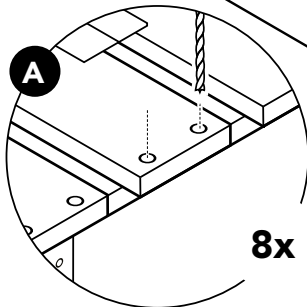
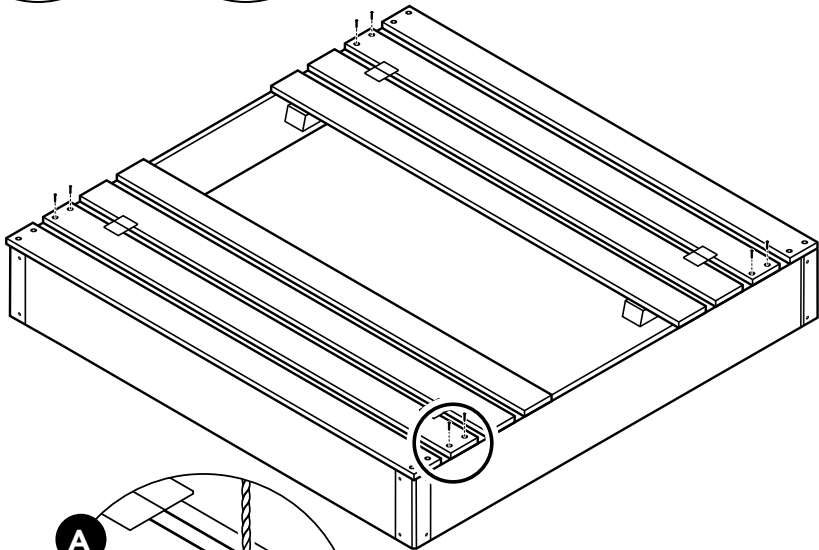
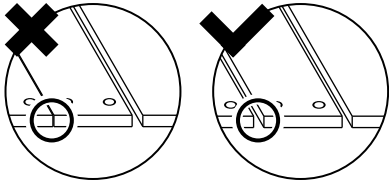
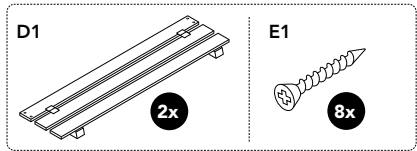


8x



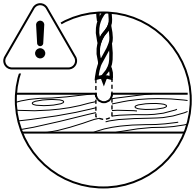
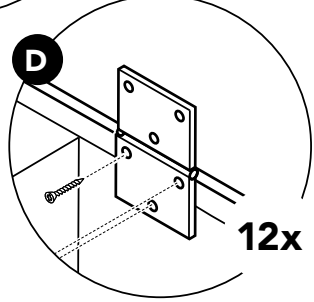
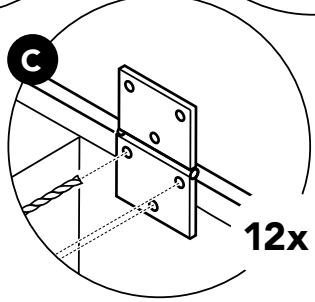
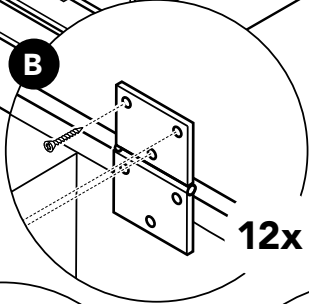
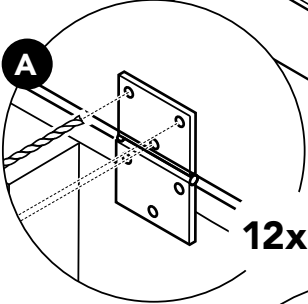
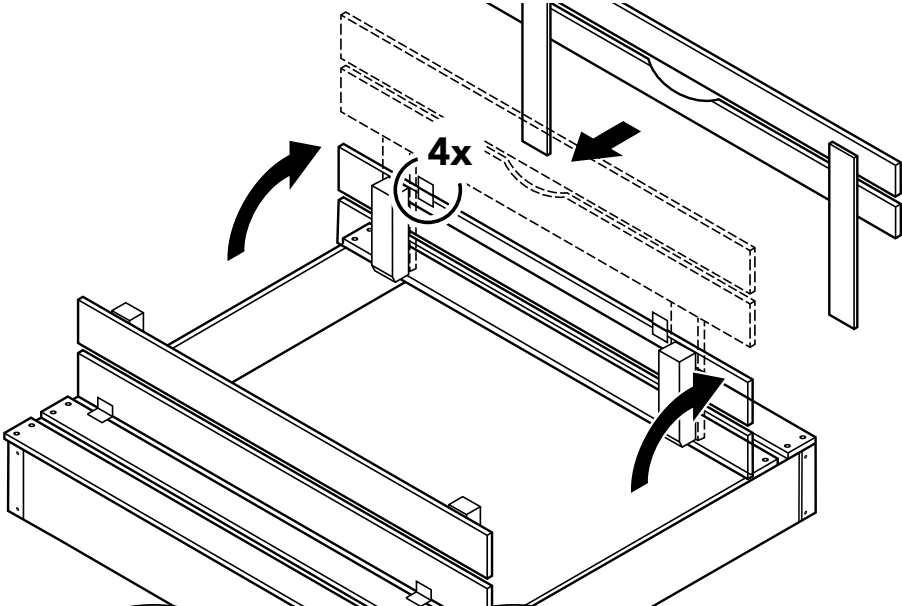
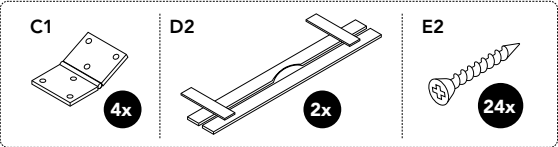
Ø 1,5 mm

4



Ø 1,5 mm

5



Ø 1,2 mm



Scan for terms
and conditions

+31(0)318 692 221
www.swingking.nl

Swing King IS A BRAND OF:

HAPRO INTERNATIONAL

