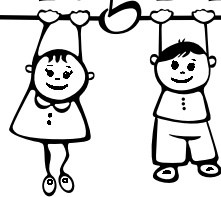


Lucy

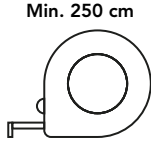
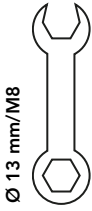
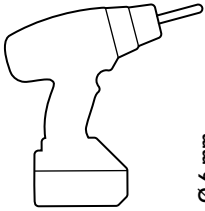
ART. NR. 7880001



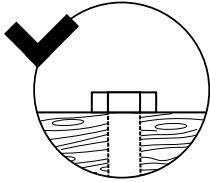
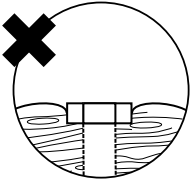
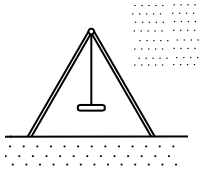
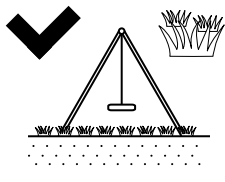
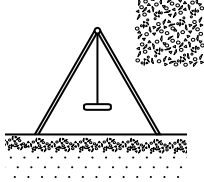
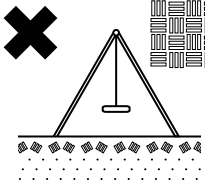
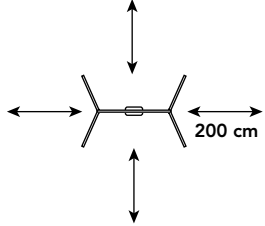
Swing King

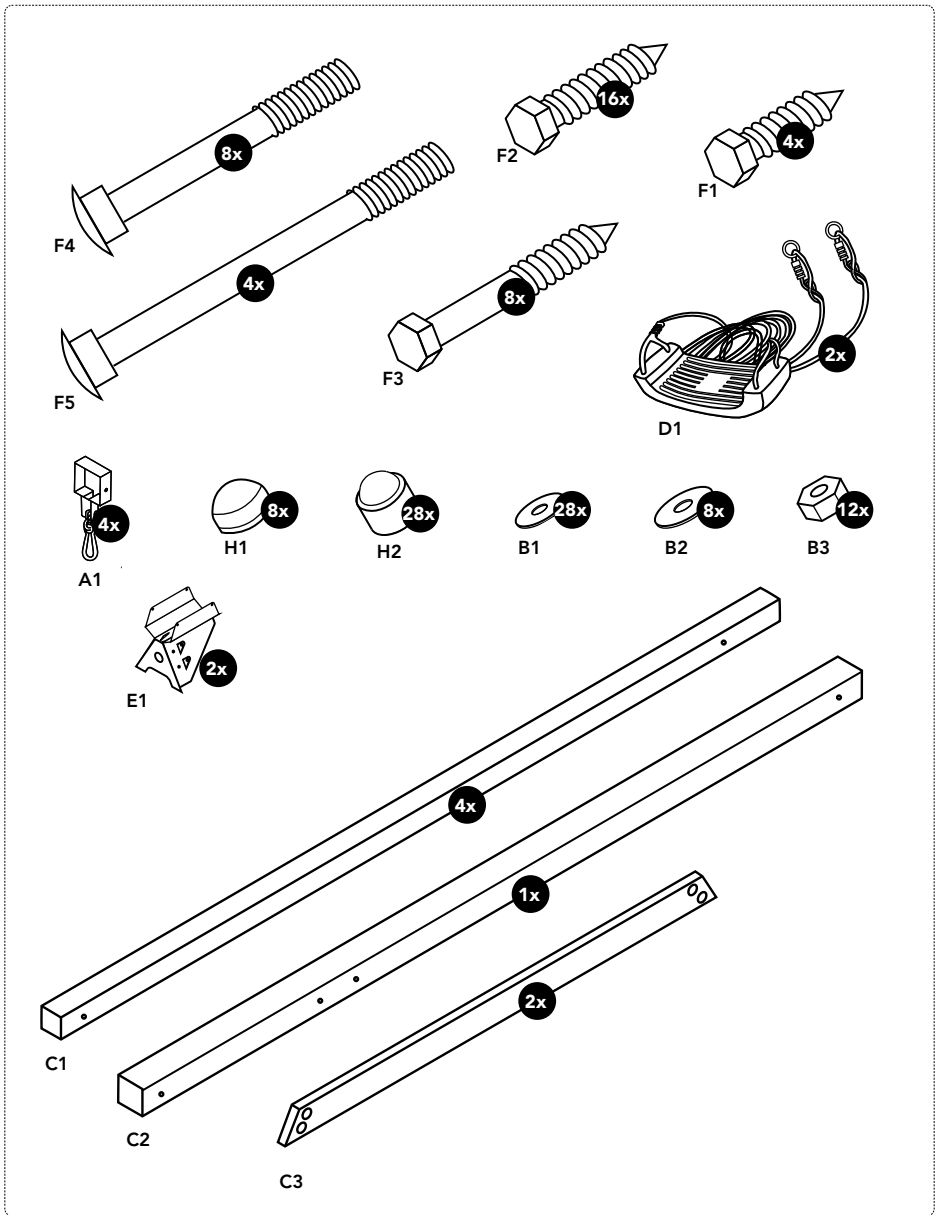


Lucy

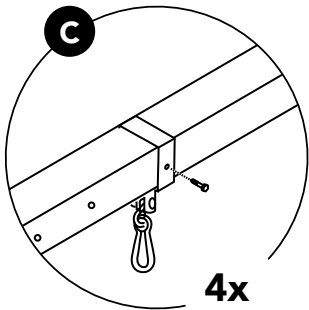
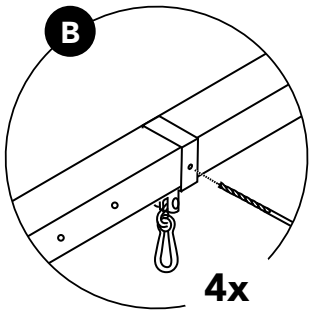
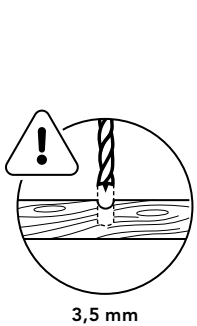
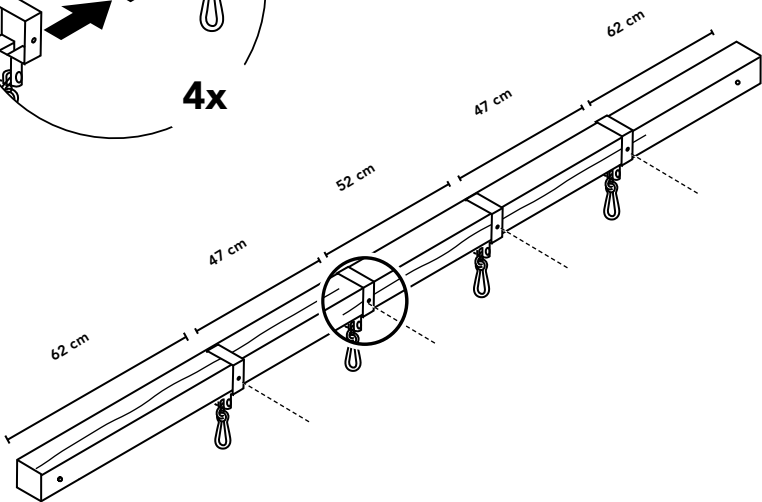
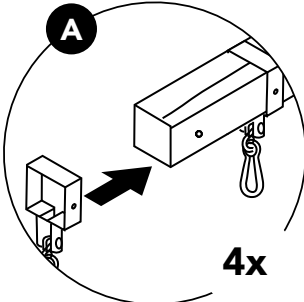
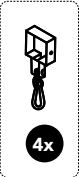
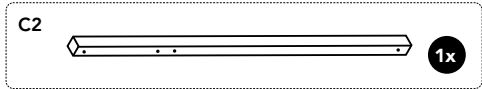


30 m²

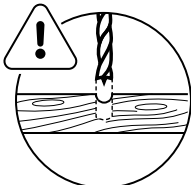
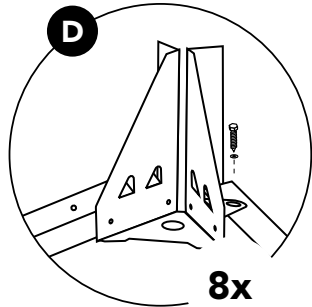
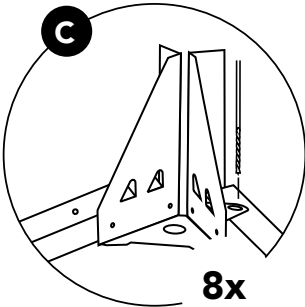
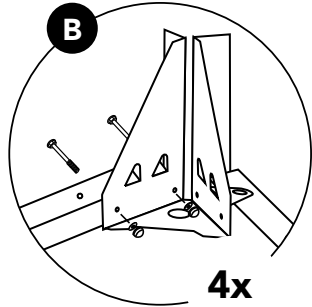
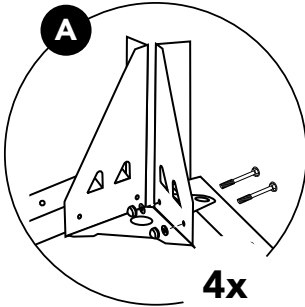
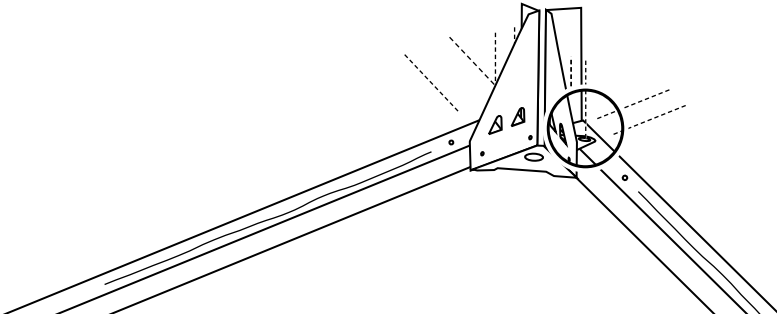
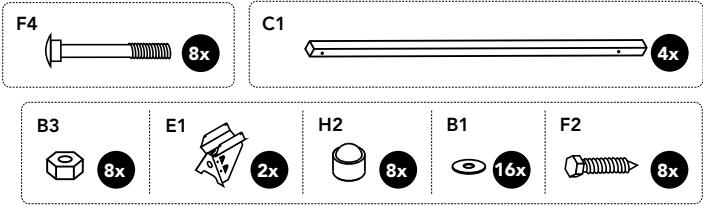




1




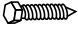


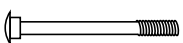
2

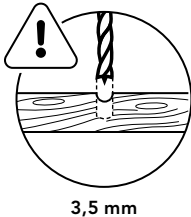
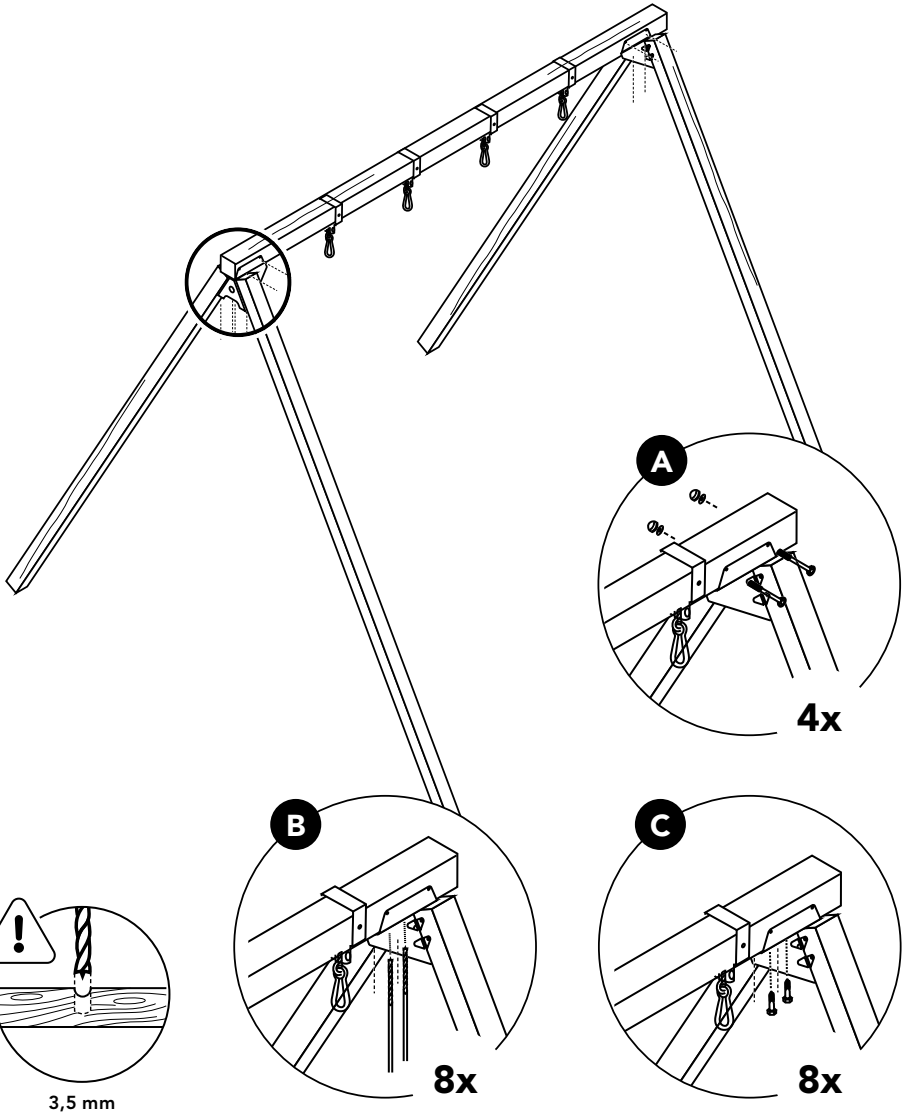


3,5 mm

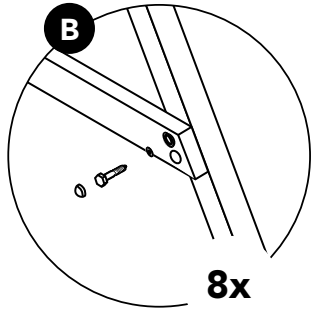
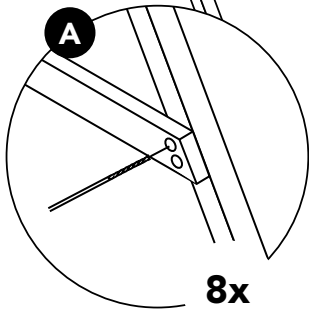
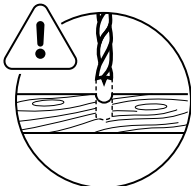
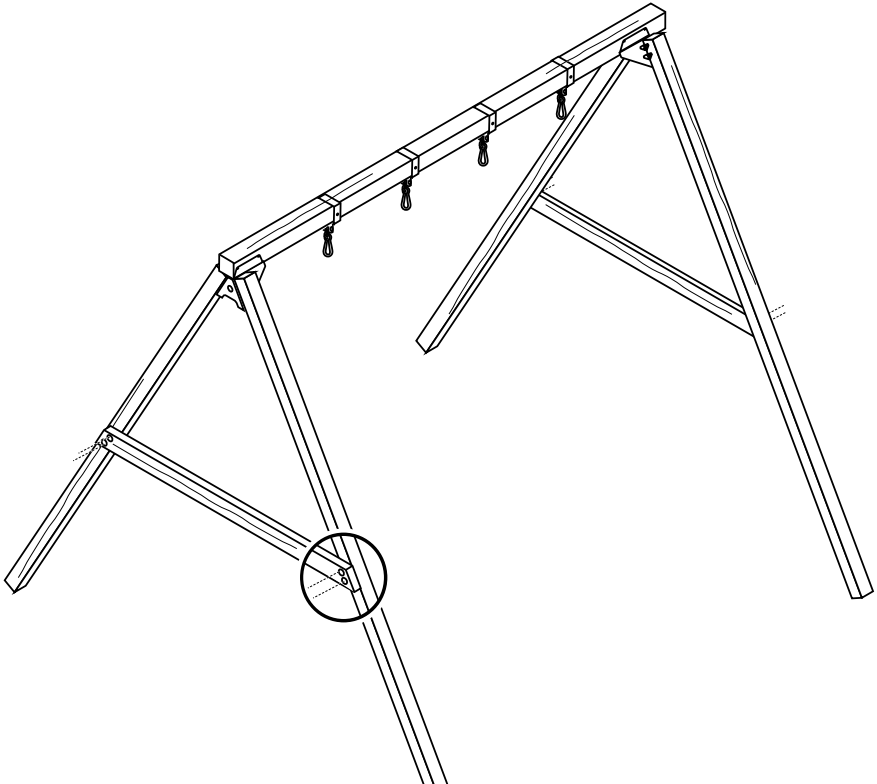
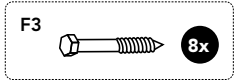
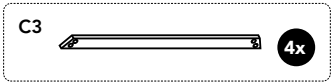
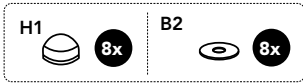
3

B3  4x	H2  3x	B1  12x	F2  8x
--	--	---	--

F5  4x
--

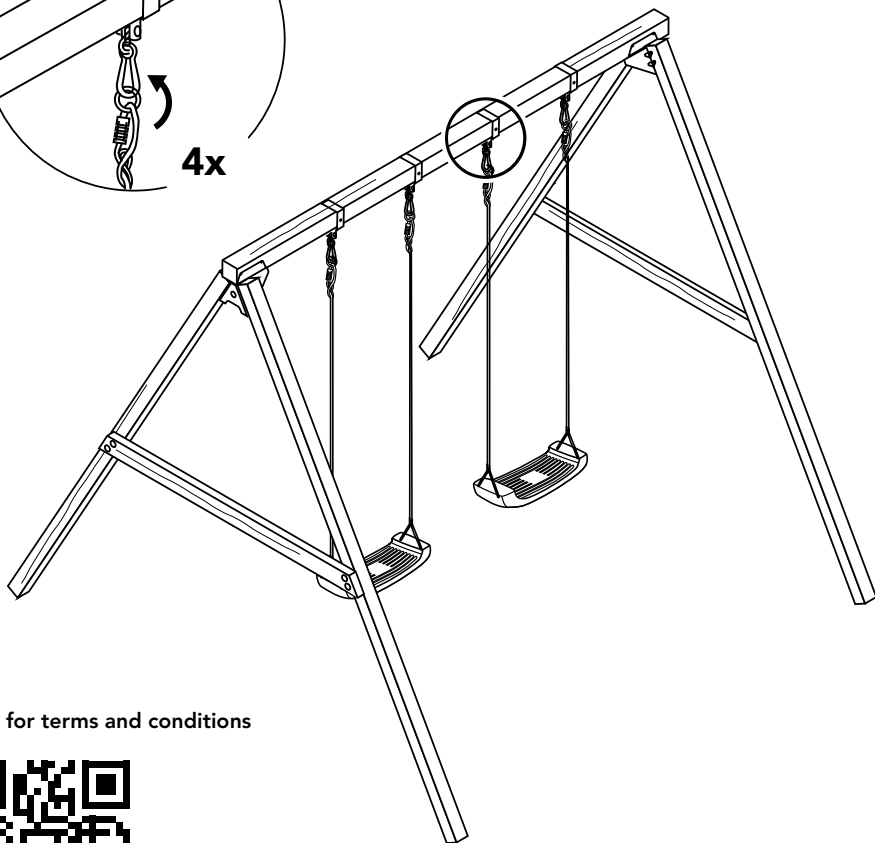
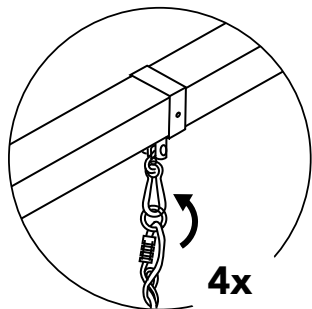
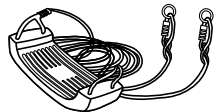


4

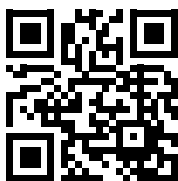


5

D1



Scan for terms and conditions



+31(0)318 692 221
www.swingking.nl

Swing King IS A BRAND OF:

HAPRO INTERNATIONAL

