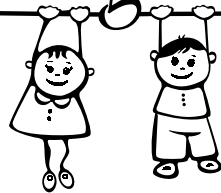


Eline

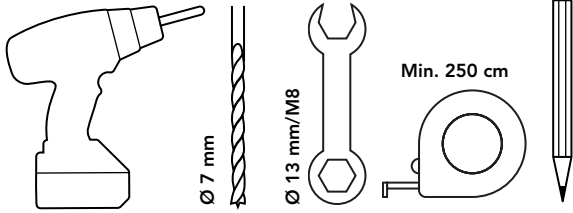
ART. NR. 7880102



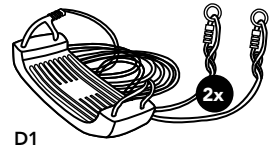
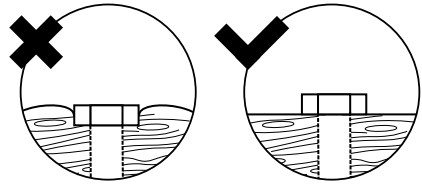
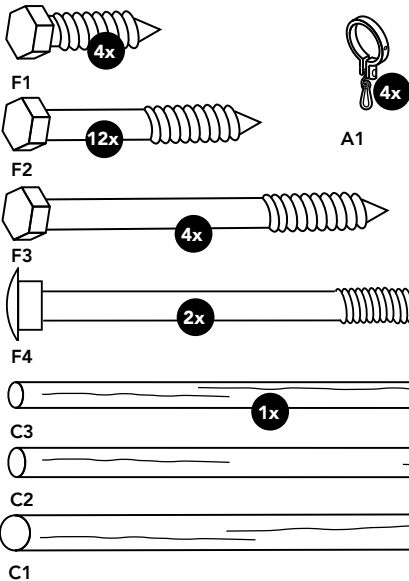
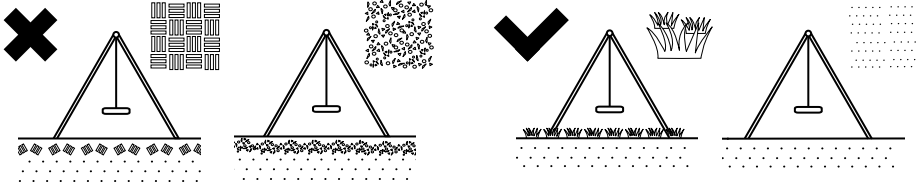
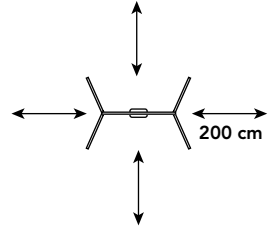
Swing King



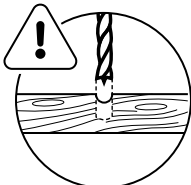
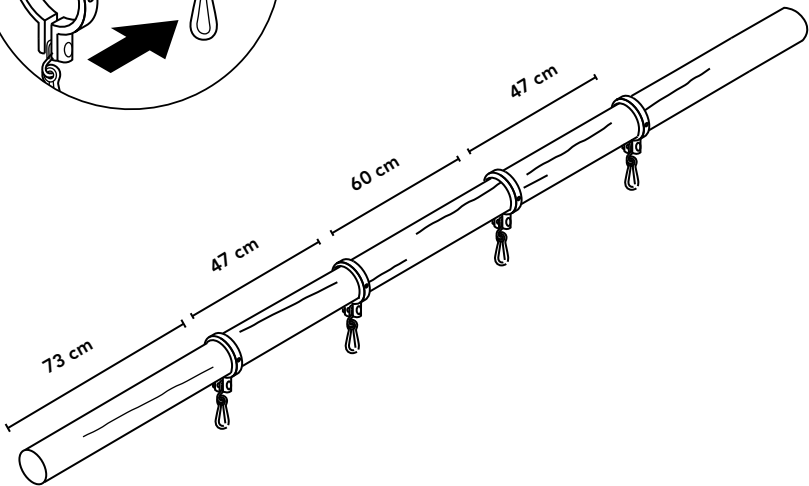
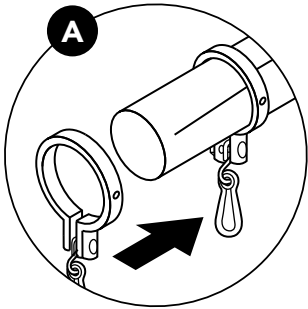
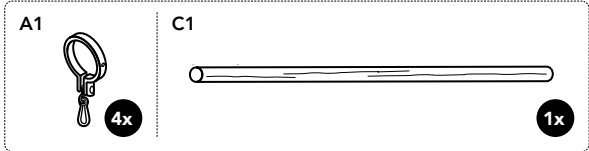
Eline



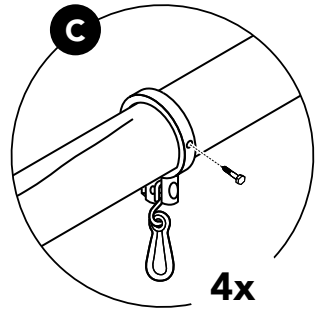
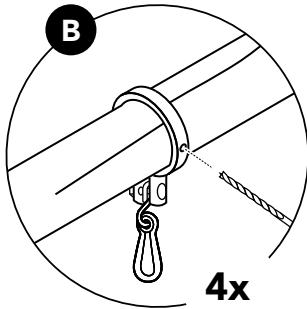
25 m²



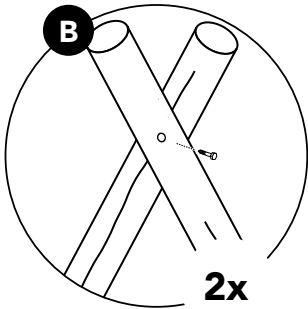
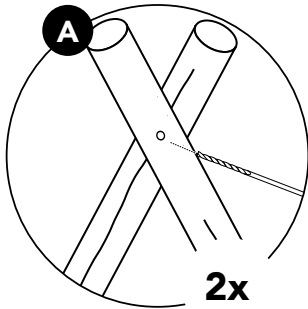
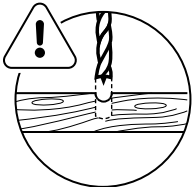
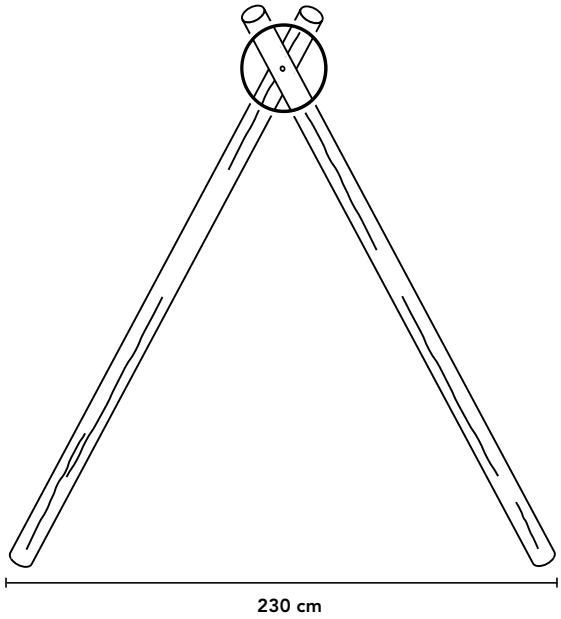
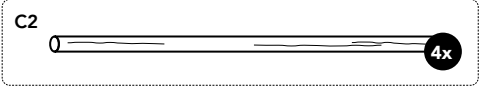
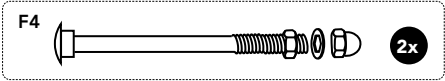
1



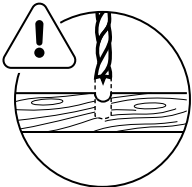
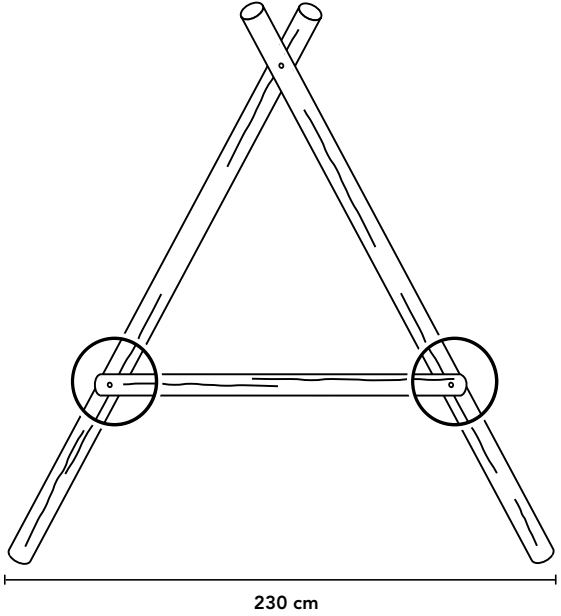
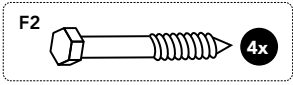
3,5 mm



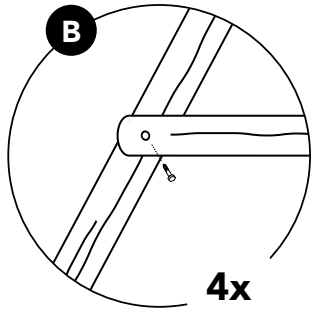
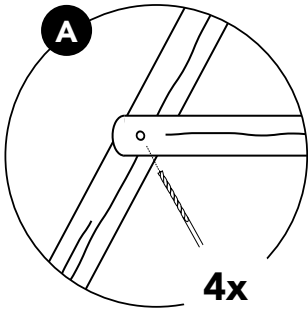
2



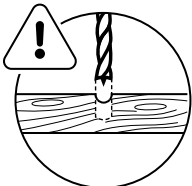
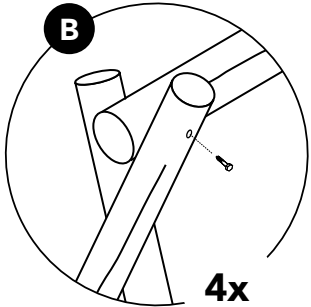
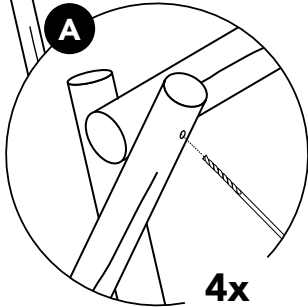
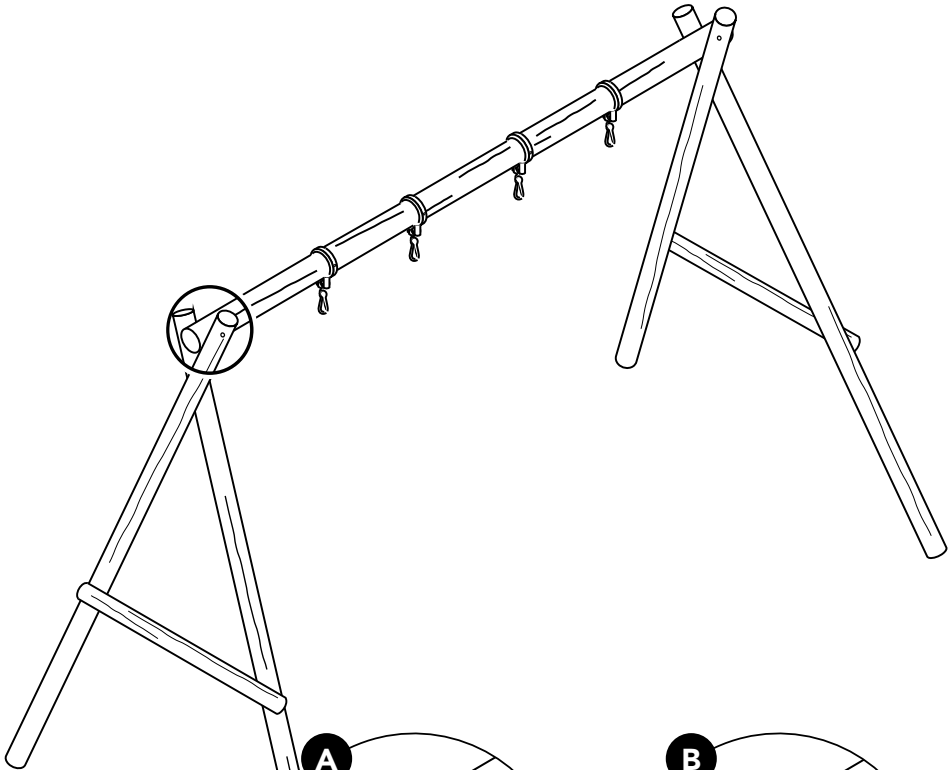
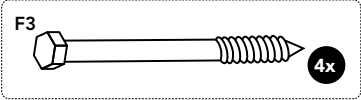
3



3,5 mm

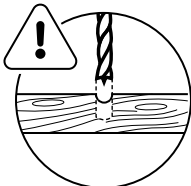
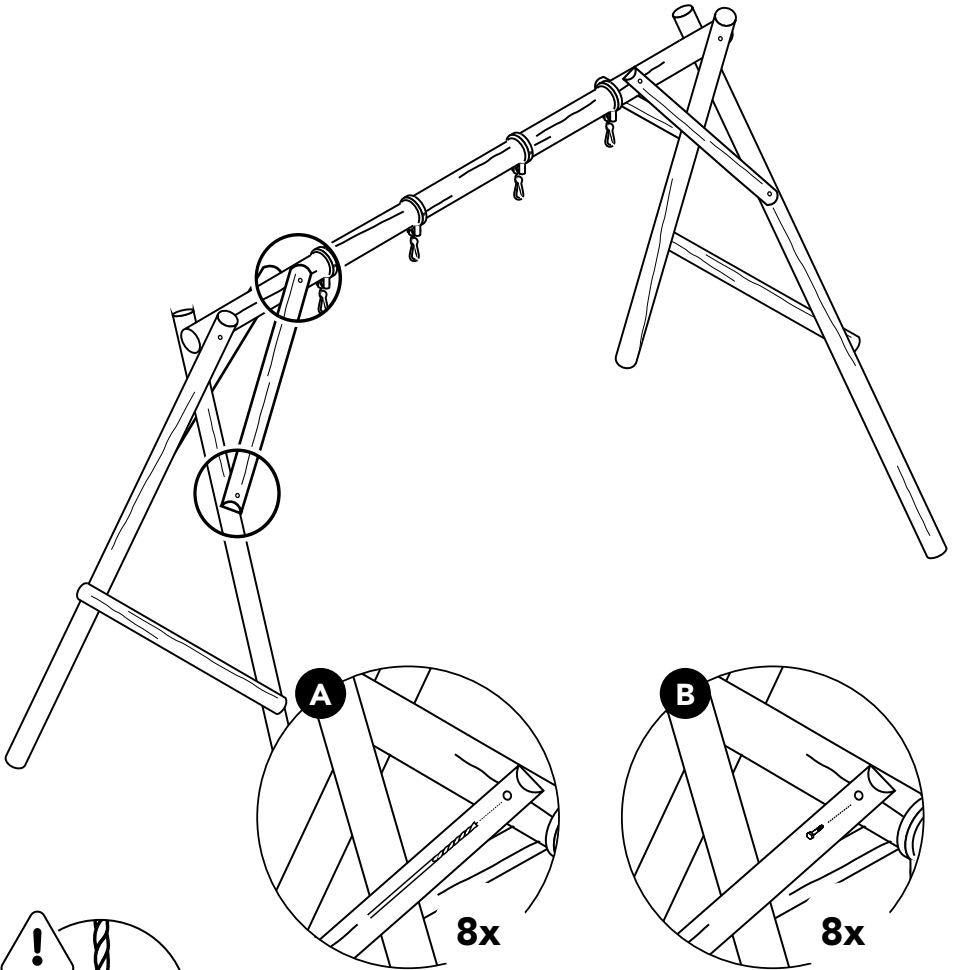
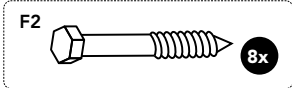
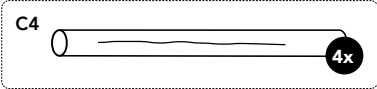


4

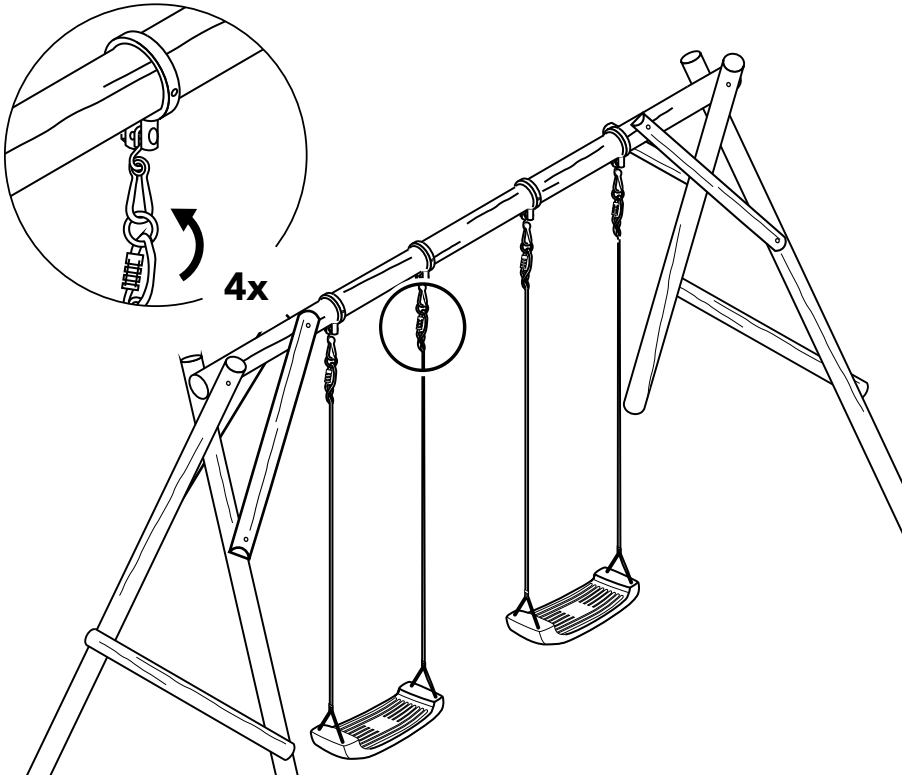
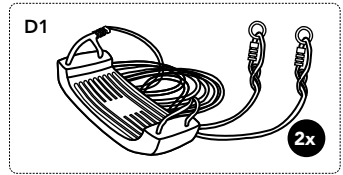


3,5 mm

5



7



Scan for terms and conditions



+31(0)318 692 221
www.swingking.nl

Swing King IS A BRAND OF:

HAPRO INTERNATIONAL



8 717306 719384 >