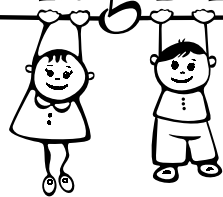


# Sepp

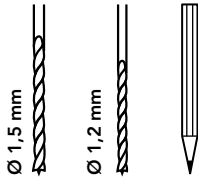
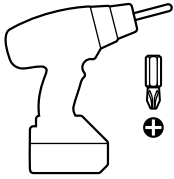
ART. NR. 7850035



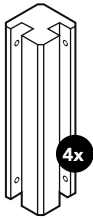
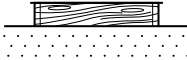
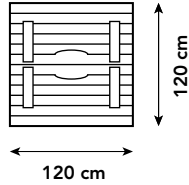
Swing King



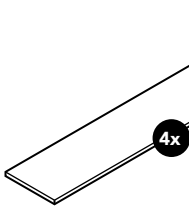
# Sepp



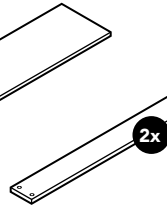
10 m<sup>2</sup>



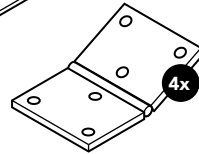
A1



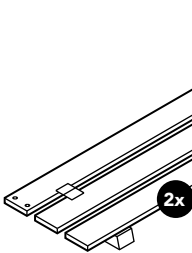
B1



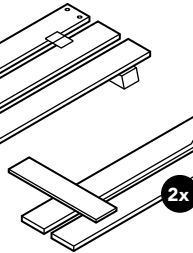
B2



C1



D1



D2

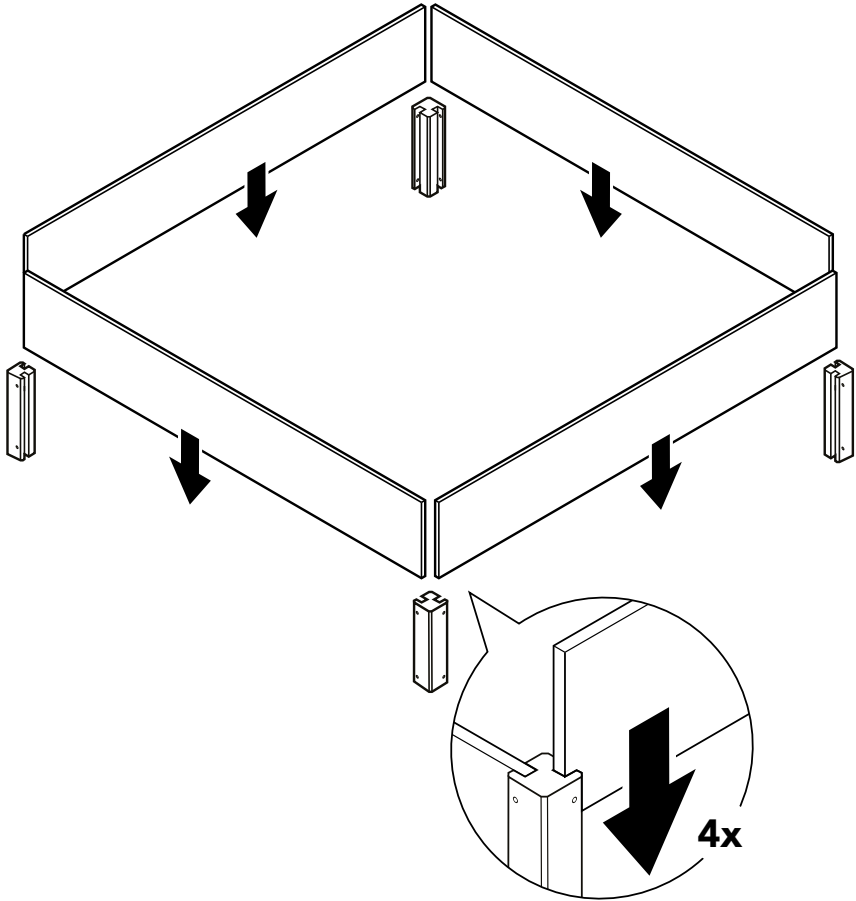
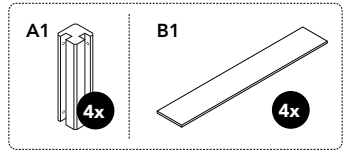


E1

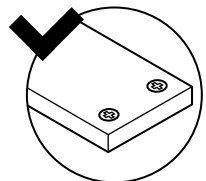
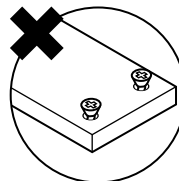
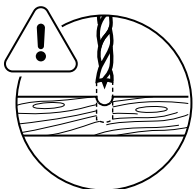
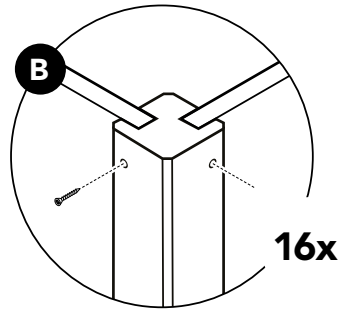
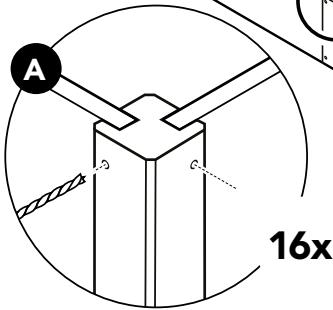
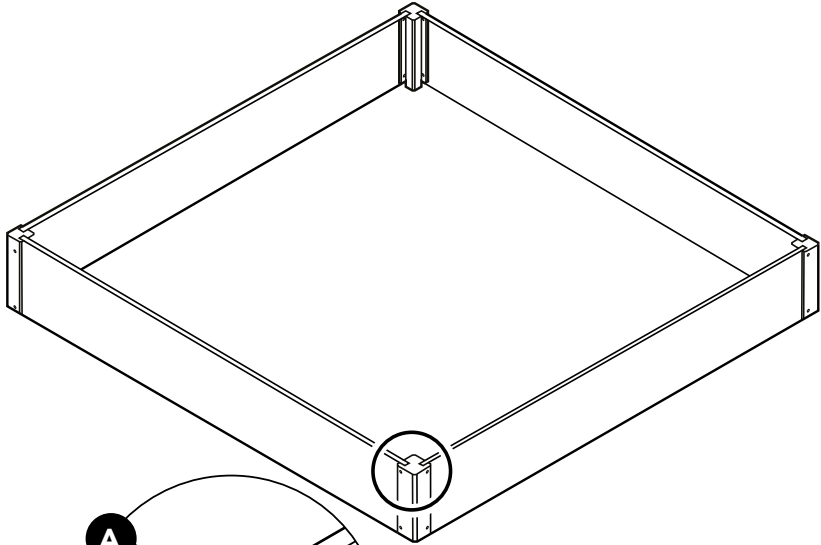
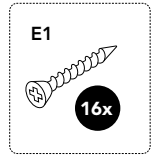


E2

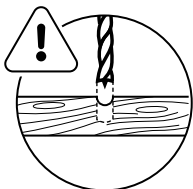
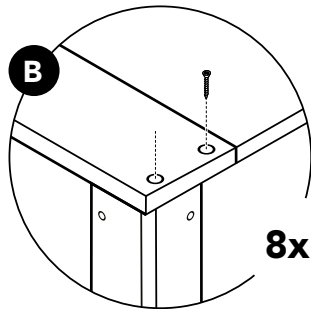
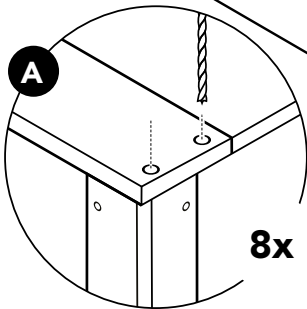
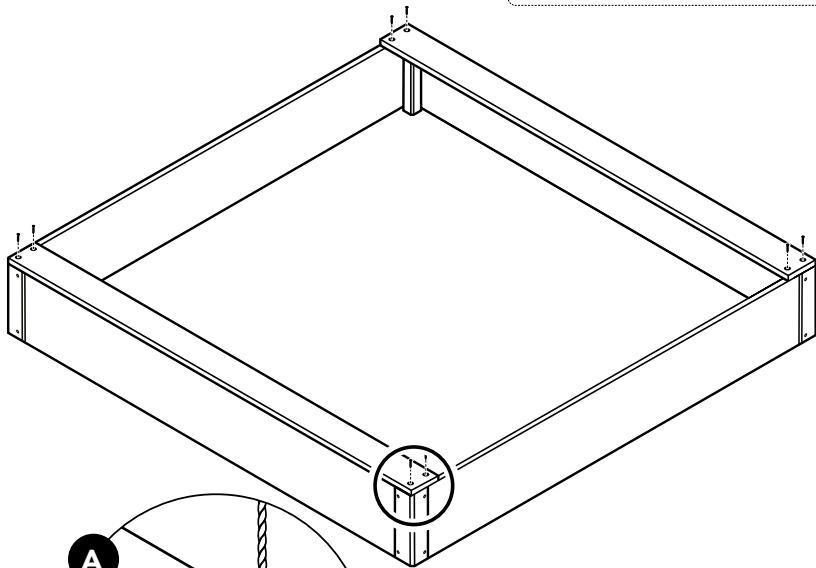
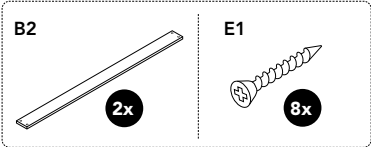
1



2

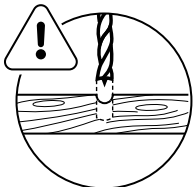
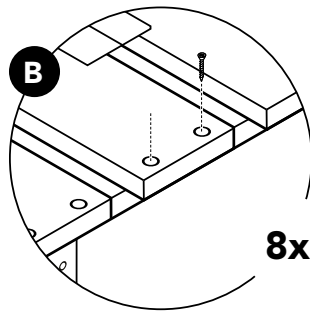
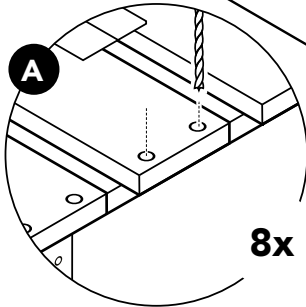
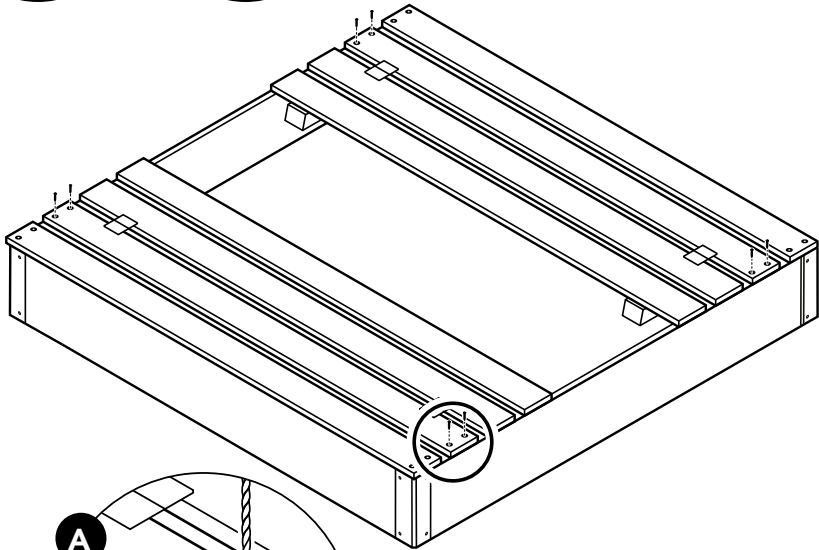
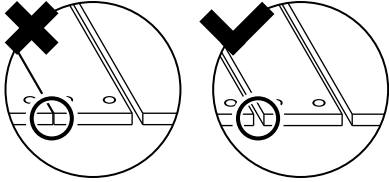
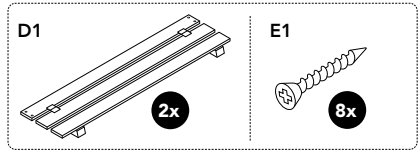


**3**



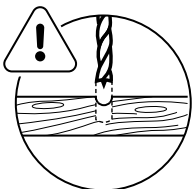
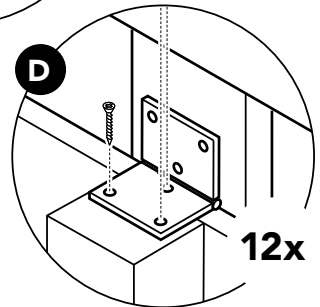
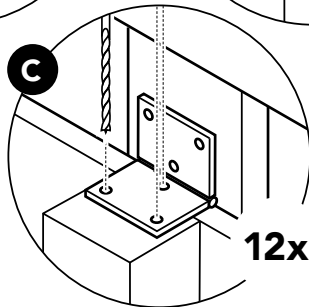
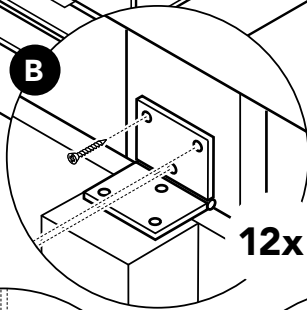
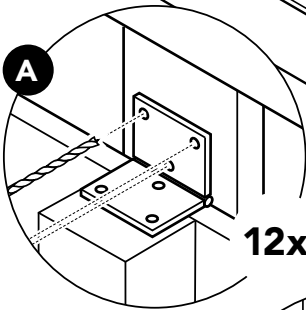
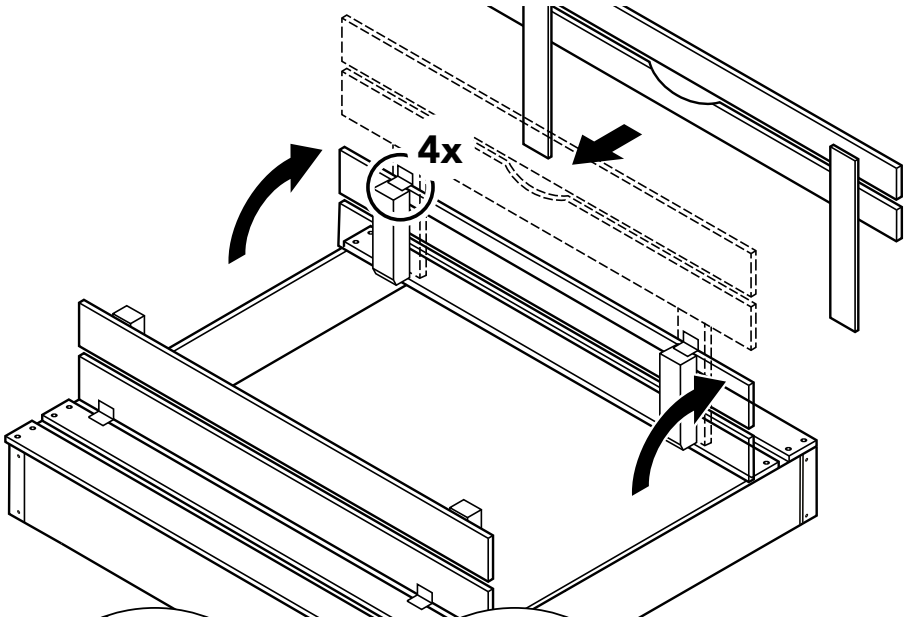
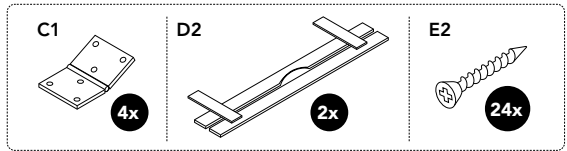
Ø 1,5 mm

**4**



Ø 1,5 mm

5



Ø 1,2 mm



Scan for terms  
and conditions

+31(0)318 692 221  
[www.swingking.nl](http://www.swingking.nl)

Swing King IS A BRAND OF:

**HAPRO** INTERNATIONAL

